

General Pressure Gauge

Model No. **SS-3010 Series**

KINS

Ordering Information

SS-3011 × 100mm × 0~1MPa × PF3/8

Connection :

- PT1/8 (40mm SS-3011, SS-3013)
- PF1/4 (50mm SS-3011)
(60mm SS-3011, SS-3012)
(60mm SS-3013, SS-3014)
- PT1/4 (50mm SS-3013)
- PF&PT 3/8 (75mm Series, 100mm Series)
(150mm Series, 200mm Series)
- PF&PT 1/2 (100mm)

Range :

- 40mm : 0,2 ~ 5 MPa
- 50mm : 0,2 ~ 5 MPa
- 60mm : -0,1 ~ 2 MPa, -0,1~0MPa, 0 ~ 35MPa
- 75mm : -0,1 ~ 2 MPa, -0,1~0MPa, 0 ~ 35MPa
- 100mm : -0,1 ~ 2 MPa, -0,1~0MPa, 0 ~ 100MPa
- 150mm : -0,1 ~ 2 MPa, -0,1~0MPa, 0 ~ 100MPa
- 200mm : -0,1 ~ 2 MPa, -0,1~0MPa, 0 ~ 100MPa

Nominal Diameter & Accuracy :

- 40mm (Accuracy : ±3,0% of Full Scale)
- 50mm (Accuracy : ±1,5% of Full Scale)
- 60mm (Accuracy : ±1,5% of Full Scale)
- 75mm (Accuracy : ±1,5% of Full Scale)
- 100mm (Accuracy : ±1,5% of Full Scale)
- 150mm (Accuracy : ±1,5% of Full Scale)
- 200mm (Accuracy : ±1,5% of Full Scale)

Base Model & Mounting Type :

- SS-3011(A:Rimless type) : Bottom Connection, Direct
- SS-3012(B:Surface type) : Bottom Connection, Surface
- SS-3013(D:Flush mounting type) : Lower Back Connection, Direct
- SS-3014(BD:Panel attachment type) : Lower Back Connection, Flush
 - ▶ 40mm, 50mm : Only available with SS-3011, SS-3013
 - ▶ 200mm : Only available with SS-3012

Pressure Gauge

Differential Pressure Gauge & Switch

Accessories of Pressure Gauge

Thermometer & Thermometer Switch

Thermocouple & R.T.D

Thermowell

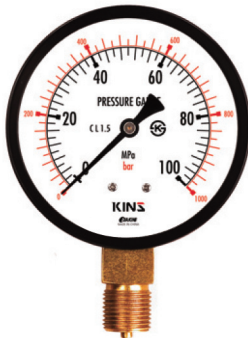
Transmitter

Indicator etc.

Technical data

General Pressure Gauge

Model No. **SS-3010 Series**



SS-3011



SS-3014

Summary

This gauge is the most widely used pressure gauge. It has high durability by doing special process in bourdon tube. It also has high elasticity because it uses copper alloy in the part of connection and it is very useful in measuring general pressure.

Safety Management

- Be sure to install a protecting device where exist abrupt change of pressure, vibration and pulsation.
- Do not give impact during the transportation, installation and usage.
- Be sure to install pressure gauge to be horizontal and vertical.
- Do not use fluid for measuring which has high viscosity, temperature lower than 40°C and coagulability.

Purpose of Use

- For pipe where static pressure is put or gas & steam line which does not have corrosiveness.
- Pressure measurement and monitoring of small instrument in various sites such as supply air, instrument air.

Production Specification

- ▶ Diameter
 - 40, 50, 60, 75, 100, 150mm
- ▶ Accuracy
 - 40mm : ±3.0% of Full Scale
 - 50mm : ±3.0% or ±1.5% of Full Scale
 - 60, 75, 100, 150mm : ±1.5% of Full Scale
- ▶ Working Pressure
 - Static pressure : 75% of Full Scale
 - Fluctuating pressure : 60% of Full Scale
- ▶ Working Temperature
 - Ambient : - 20 ~ 65 °C
 - Fluid : - 20 ~ 40 °C

▶ Range

40mm	0.2 ~ 5 MPa
50mm	
60mm	- 0.1 ~ 2 MPa
75mm	- 0.1 ~ 0 MPa
	0 ~ 35 MPa
100mm	- 0.1 ~ 2 MPa
150mm	- 0.1 ~ 0 MPa
	0 ~ 100 MPa

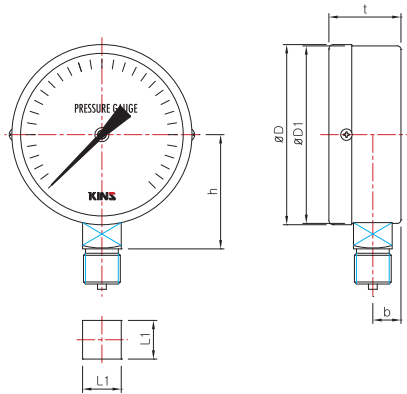
Product Specification

- | | | |
|--|---|--|
| <ul style="list-style-type: none"> + Case <ul style="list-style-type: none"> · Steel(SPCD) · Black coating + Cover <ul style="list-style-type: none"> · Steel(SPCD) · Black coating + Connection <ul style="list-style-type: none"> · Brass(C3604BE) · PF ↔ 3/8 + Window <ul style="list-style-type: none"> · General glass | <ul style="list-style-type: none"> + Type <ul style="list-style-type: none"> · A-Type (Rimless type) · B-Type (Surface type) · D-Type (Flush mounting type) · BD-Type(Panel attachment type) + Pointer <ul style="list-style-type: none"> · Aluminum · Black coating + Dial <ul style="list-style-type: none"> · Aluminum · White color coating · Black (MPa), red (bar) gradations and characters | <ul style="list-style-type: none"> + Element <ul style="list-style-type: none"> · Brass(C2700T) · C type bourdon tube, helical type bourdon tube + Movement <ul style="list-style-type: none"> · Brass + Option <ul style="list-style-type: none"> · Bracket · Throttles · Accessories |
|--|---|--|

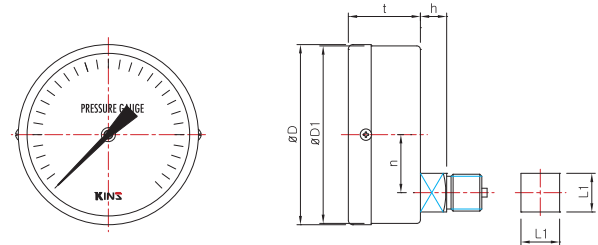
General Pressure Gauge

Model No. SS-3010 Series

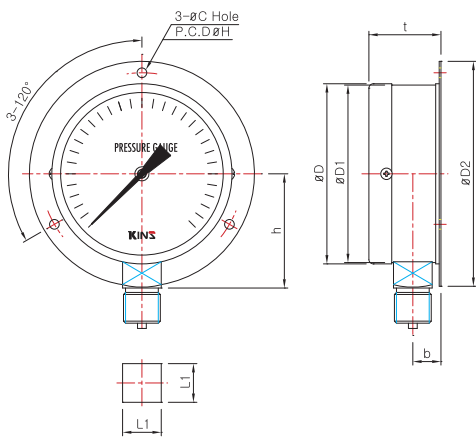
Model No. | SS-3011
A Type (40, 50, 60, 75, 100, 150mm)



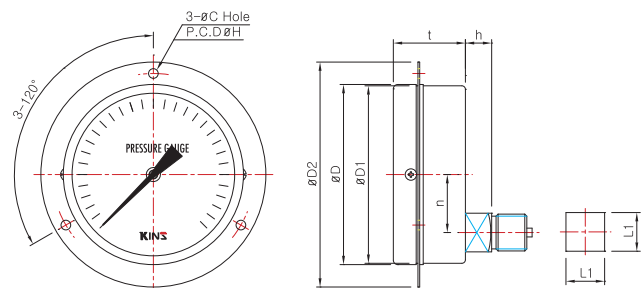
Model No. | SS-3013
D Type (60, 75, 100, 150mm)



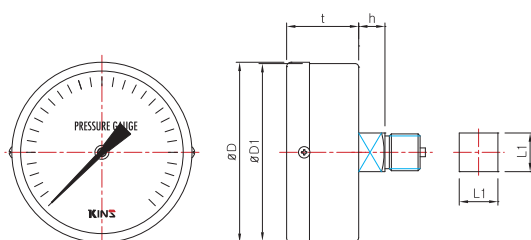
Model No. | SS-3012
B Type (60, 75, 100, 150mm)



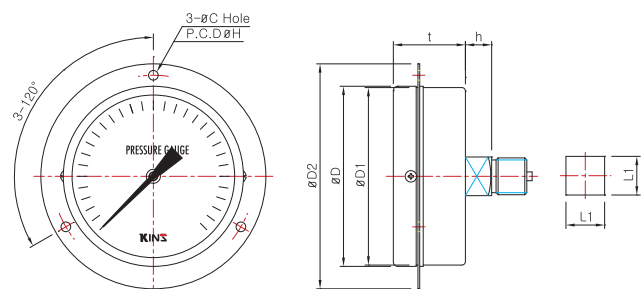
Model No. | SS-3014
BD Type (100, 150mm)



Model No. | SS-3013
D Type (40, 50, 60, 75mm)



Model No. | SS-3014
BD Type (60, 75mm)



Pressure Gauge

Differential Pressure Gauge & Switch

Accessories of Pressure Gauge

Thermometer & Thermometer Switch

Thermocouple & R.T.D

Thermowell

Transmitter

Indicator etc.

Technical data

Dimensions (mm)

	Model No.	Conn'n (d)	ØD	ØD1	ØD2	b	n	t	L1	h	ØC	ØH
40mm	SS-3011	NPT & PT 1/8	42	41	-	8	-	(24)	12	(30)	-	-
	SS-3013	NPT & PT 1/8			-	-	-	(26)		(9)	-	-
50mm	SS-3011	PF 1/4	53	51.5	-	9.5	-	(30)	14	(36)	-	-
		NPT & PT 1/4			-	-	-			-	-	
	SS-3013	PF 1/4			-	9.5	-	(30)		(10)	-	-
		NPT & PT 1/4			-	-	-			-	-	
60mm	SS-3011 & SS-3012	PF & PT 1/4	63	62	80	10.5	-	(33)	14	(40)	4.5	72
	SS-3013 & SS-3014	PF & PT 1/4			80	-	-			(10)		
75mm	SS-3011 & SS-3012	PF & PT 3/8	78	76	100	12	-	(35)	17	(52)	4.5	88
	SS-3013 & SS-3014	PF & PT 3/8			100	-	-			(14)		
100mm	SS-3011 & SS-3012	PF & PT 3/8	102	100	128	13.5	-	(36)	22	(63)	5.5	115
	SS-3013 & SS-3014	PF & PT 3/8			128	-	21.5			(15)		
150mm	SS-3011 & SS-3012	PF & PT 1/2	154	152	188	17	-	(41)	17	(94)	5.5	115
	SS-3013 & SS-3014	PF & PT 1/2			188	-	33			(24)		

*()The measurement in the blanket is approximate.

- Pressure Gauge
- Differential Pressure Gauge & Switch
- Accessories of Pressure Gauge
- Thermometer & Thermometer Switch
- Thermocouple & R.T.D
- Thermowell
- Transmitter
- Indicator etc.
- Technical data

General Pressure Gauge

Model No. **SS-3010 Series**

KINS

Ordering Information

SS-3011 × 100mm × 0~1MPa × PF3/8

Connection :

- PT1/8 (40mm SS-3011, SS-3013)
- PF1/4 (50mm SS-3011)
(60mm SS-3011, SS-3012)
(60mm SS-3013, SS-3014)
- PT1/4 (50mm SS-3013)
- PF&PT 3/8 (75mm Series, 100mm Series)
(150mm Series, 200mm Series)
- PF&PT 1/2 (100mm)

Range :

- 40mm : 0,2 ~ 5 MPa
- 50mm : 0,2 ~ 5 MPa
- 60mm : -0,1 ~ 2 MPa, -0,1~0MPa, 0 ~ 35MPa
- 75mm : -0,1 ~ 2 MPa, -0,1~0MPa, 0 ~ 35MPa
- 100mm : -0,1 ~ 2 MPa, -0,1~0MPa, 0 ~ 100MPa
- 150mm : -0,1 ~ 2 MPa, -0,1~0MPa, 0 ~ 100MPa
- 200mm : -0,1 ~ 2 MPa, -0,1~0MPa, 0 ~ 100MPa

Nominal Diameter & Accuracy :

- 40mm (Accuracy : ±3,0% of Full Scale)
- 50mm (Accuracy : ±1,5% of Full Scale)
- 60mm (Accuracy : ±1,5% of Full Scale)
- 75mm (Accuracy : ±1,5% of Full Scale)
- 100mm (Accuracy : ±1,5% of Full Scale)
- 150mm (Accuracy : ±1,5% of Full Scale)
- 200mm (Accuracy : ±1,5% of Full Scale)

Base Model & Mounting Type :

- SS-3011(A:Rimless type) : Bottom Connection, Direct
- SS-3012(B:Surface type) : Bottom Connection, Surface
- SS-3013(D:Flush mounting type) : Lower Back Connection, Direct
- SS-3014(BD:Panel attachment type) : Lower Back Connection, Flush
 - ▶ 40mm, 50mm : Only available with SS-3011, SS-3013
 - ▶ 200mm : Only available with SS-3012

Pressure Gauge

Differential Pressure Gauge & Switch

Accessories of Pressure Gauge

Thermometer & Thermometer Switch

Thermocouple & R.T.D

Thermowell

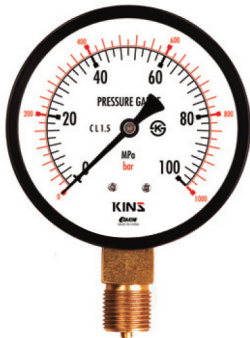
Transmitter

Indicator etc.

Technical data

General Pressure Gauge

Model No. **SS-3010 Series**



SS-3011



SS-3014

Summary

This gauge is the most widely used pressure gauge. It has high durability by doing special process in bourdon tube. It also has high elasticity because it uses copper alloy in the part of connection and it is very useful in measuring general pressure.

Safety Management

- Be sure to install a protecting device where exist abrupt change of pressure, vibration and pulsation.
- Do not give impact during the transportation, installation and usage.
- Be sure to install pressure gauge to be horizontal and vertical.
- Do not use fluid for measuring which has high viscosity, temperature lower than 40°C and coagulability.

Purpose of Use

- For pipe where static pressure is put or gas & steam line which does not have corrosiveness.
- Pressure measurement and monitoring of small instrument in various sites such as supply air, instrument air.

Production Specification

- ▶ Diameter
 - 40, 50, 60, 75, 100, 150mm
- ▶ Accuracy
 - 40mm : ±3.0% of Full Scale
 - 50mm : ±3.0% or ±1.5% of Full Scale
 - 60, 75, 100, 150mm : ±1.5% of Full Scale
- ▶ Working Pressure
 - Static pressure : 75% of Full Scale
 - Fluctuating pressure : 60% of Full Scale
- ▶ Working Temperature
 - Ambient : - 20 ~ 65 °C
 - Fluid : - 20 ~ 40 °C

▶ Range

40mm	0.2 ~ 5 MPa
50mm	
60mm	- 0.1 ~ 2 MPa
75mm	- 0.1 ~ 0 MPa 0 ~ 35 MPa
100mm	- 0.1 ~ 2 MPa
150mm	- 0.1 ~ 0 MPa 0 ~ 100 MPa

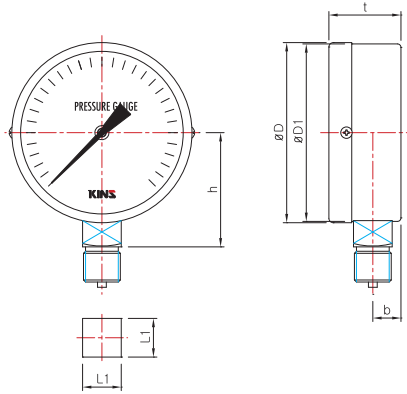
Product Specification

- | | | |
|--|---|--|
| <ul style="list-style-type: none"> + Case <ul style="list-style-type: none"> · Steel(SPCD) · Black coating + Cover <ul style="list-style-type: none"> · Steel(SPCD) · Black coating + Connection <ul style="list-style-type: none"> · Brass(C3604BE) · PF ↔ 3/8 + Window <ul style="list-style-type: none"> · General glass | <ul style="list-style-type: none"> + Type <ul style="list-style-type: none"> · A-Type (Rimless type) · B-Type (Surface type) · D-Type (Flush mounting type) · BD-Type(Panel attachment type) + Pointer <ul style="list-style-type: none"> · Aluminum · Black coating + Dial <ul style="list-style-type: none"> · Aluminum · White color coating · Black (MPa), red (bar) gradations and characters | <ul style="list-style-type: none"> + Element <ul style="list-style-type: none"> · Brass(C2700T) · C type bourdon tube, helical type bourdon tube + Movement <ul style="list-style-type: none"> · Brass + Option <ul style="list-style-type: none"> · Bracket · Throttles · Accessories |
|--|---|--|

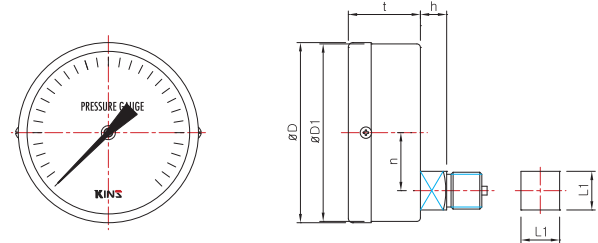
General Pressure Gauge

Model No. SS-3010 Series

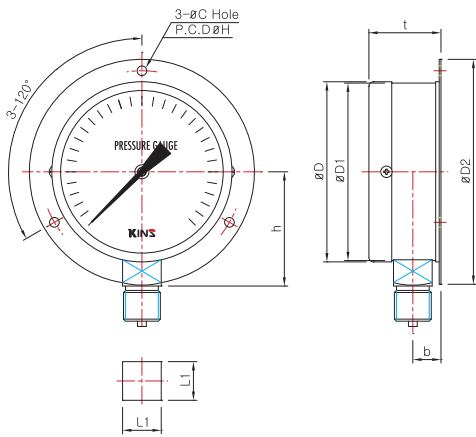
Model No. | SS-3011
A Type (40, 50, 60, 75, 100, 150mm)



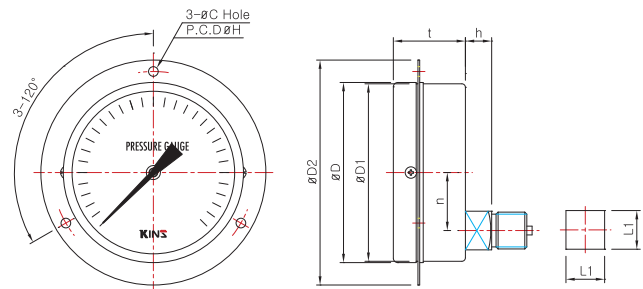
Model No. | SS-3013
D Type (60, 75, 100, 150mm)



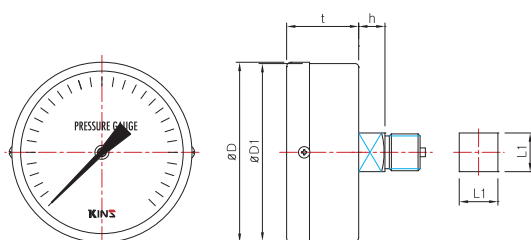
Model No. | SS-3012
B Type (60, 75, 100, 150mm)



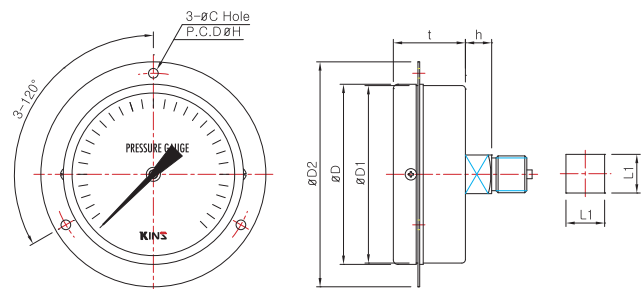
Model No. | SS-3014
BD Type (100, 150mm)



Model No. | SS-3013
D Type (40, 50, 60, 75mm)



Model No. | SS-3014
BD Type (60, 75mm)



Pressure Gauge

Differential Pressure Gauge & Switch

Accessories of Pressure Gauge

Thermometer & Thermometer Switch

Thermocouple & R.T.D

Thermowell

Transmitter

Indicator etc.

Technical data

Dimensions (mm)

	Model No.	Conn'n (d)	ØD	ØD1	ØD2	b	n	t	L1	h	ØC	ØH
40mm	SS-3011	NPT & PT 1/8	42	41	-	8	-	(24)	12	(30)	-	-
	SS-3013	NPT & PT 1/8			-	-	-	(26)		(9)	-	-
50mm	SS-3011	PF 1/4	53	51.5	-	9.5	-	(30)	14	(36)	-	-
		NPT & PT 1/4			-	-	-			-	-	
	SS-3013	PF 1/4			-	9.5	-	(30)		(10)	-	-
		NPT & PT 1/4			-	-	-			-	-	
60mm	SS-3011 & SS-3012	PF & PT 1/4	63	62	80	10.5	-	(33)	14	(40)	4.5	72
	SS-3013 & SS-3014	PF & PT 1/4			80	-	-			(10)		
75mm	SS-3011 & SS-3012	PF & PT 3/8	78	76	100	12	-	(35)	17	(52)	4.5	88
	SS-3013 & SS-3014	PF & PT 3/8			100	-	-			(14)		
100mm	SS-3011 & SS-3012	PF & PT 3/8	102	100	128	13.5	-	(36)	22	(63)	5.5	115
	SS-3013 & SS-3014	PF & PT 3/8			128	-	21.5			(15)		
150mm	SS-3011 & SS-3012	PF & PT 1/2	154	152	188	17	-	(41)	17	(94)	5.5	115
	SS-3013 & SS-3014	PF & PT 1/2			188	-	33			(24)		

*()The measurement in the blanket is approximate.

- Pressure Gauge
- Differential Pressure Gauge & Switch
- Accessories of Pressure Gauge
- Thermometer & Thermometer Switch
- Thermocouple & R.T.D
- Thermowell
- Transmitter
- Indicator etc.
- Technical data

General Pressure Gauge

Model No. **SS-3010 Series**



SS-3012 200mm

Summary

This gauge is the most widely used pressure gauge. It has high durability by doing special process in bourdon tube. It also has high elasticity because it uses copper alloy in the part of connection and it is very useful in measuring general pressure.

Safety Management

- Be sure to install a protecting device where exist abrupt change of pressure, vibration and pulsation.
- Do not give impact during the transportation, installation and usage.
- Be sure to install pressure gauge to be horizontal and vertical.
- Do not use fluid for measuring which has high viscosity, temperature lower than 40°C and coagulability.

Purpose of Use

- For pipe where static pressure is put or gas & steam line which does not have corrosiveness.
- Pressure measurement and monitoring of small instrument in various sites such as supply air, instrument air.

Production Specification

- ▶ Diameter
 - 200 mm
- ▶ Accuracy
 - ±1.5% of Full Scale
- ▶ Working Pressure
 - Static pressure : 75% of Full Scale
 - Fluctuating pressure : 60% of Full Scale
- ▶ Working Temperature
 - Ambient : - 20 ~ 65 °C
 - Fluid : - 20 ~ 80 °C

▶ Range

200mm	- 0,1 ~ 2 MPa
	- 0,1 ~ 0 MPa
	0 ~ 5 MPa

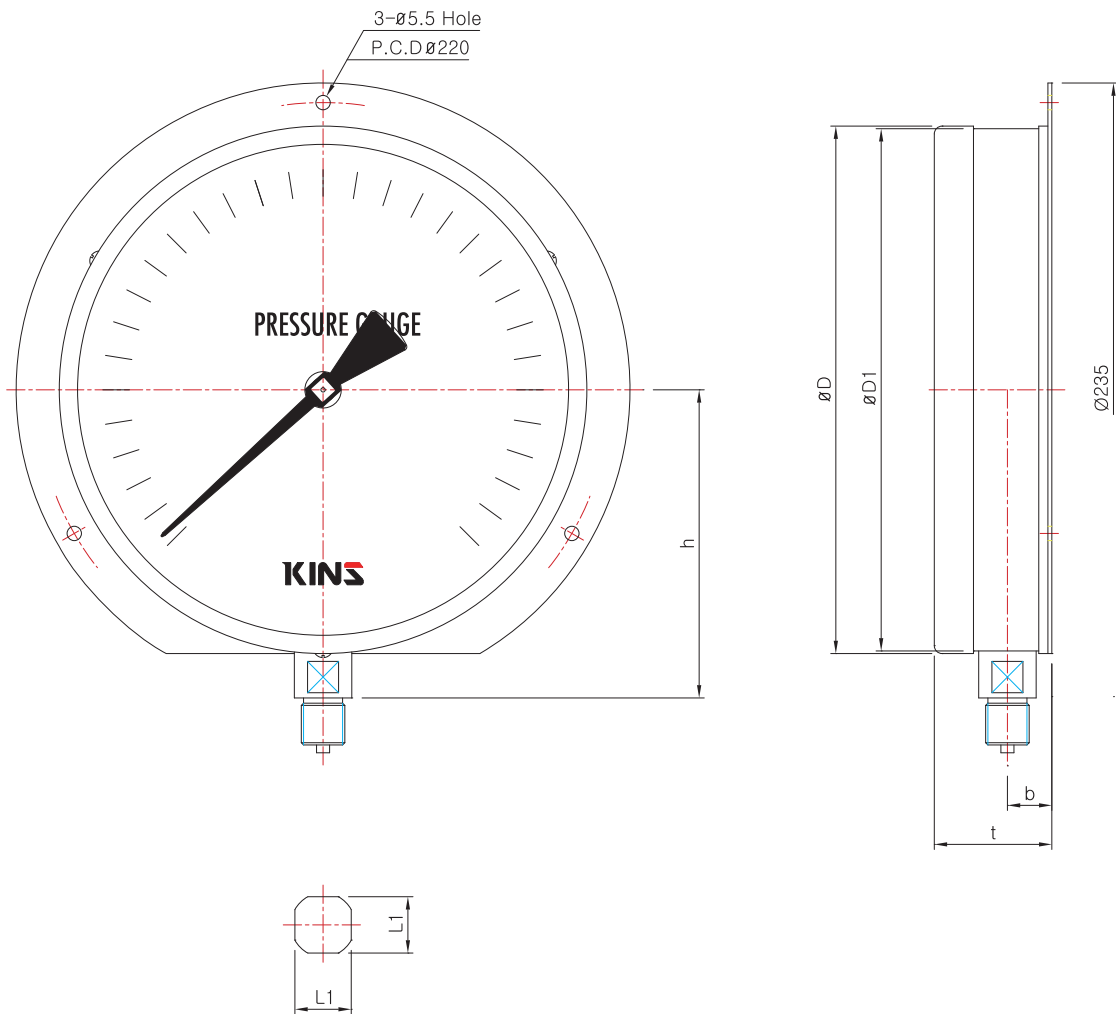
Product Specification

- | | | |
|---|---|--|
| <ul style="list-style-type: none"> + Case <ul style="list-style-type: none"> · Steel(SPCD) · Black coating + Cover <ul style="list-style-type: none"> · Steel(SPCD) · Black coating + Connection <ul style="list-style-type: none"> · Brass(C3604BE) · PF ↔ 3/8 | <ul style="list-style-type: none"> + Window <ul style="list-style-type: none"> · General glass + Type <ul style="list-style-type: none"> · B-Type (Surface type) + Pointer <ul style="list-style-type: none"> · Aluminum · Black coating + Dial <ul style="list-style-type: none"> · Aluminum · White color coating · Black (MPa), red (bar) gradations and characters | <ul style="list-style-type: none"> + Element <ul style="list-style-type: none"> · Brass(C2700T) · C type bourdon tube + Movement <ul style="list-style-type: none"> · Brass + Option <ul style="list-style-type: none"> · Throttles · Accessories |
|---|---|--|

General Pressure Gauge

Model No. **SS-3010 Series**

Model No. | **SS-3012 (200mm)**
B Type (Surface type)



Dimensions (mm)

Model No.	Conn'n (d)	ØD	ØD1	b	n	t	L1	h
SS-3012	PF 3/8	200	198	17,5	-	(50)	19	(117)

* () The measurement in the blanket is approximate.

Pressure Gauge

Differential Pressure Gauge & Switch

Accessories of Pressure Gauge

Thermometer & Thermometer Switch

Thermocouple & R.T.D

Thermowell

Transmitter

Indicator etc.

Technical data

Special Pressure Gauge

Model No. **SS-3020 Series**

KINS

Ordering Information

SS-3021 × 100mm × 0~1MPa × PF3/8

CONNECTION :

- UNF7/16 (Not available 40mm, 50mm, 150mm, 200mm)
- PF1/8 (Not available 150mm, 200mm)
- NPT&PT1/8 (Not available 150mm, 200mm)
- PF1/4 (Not available 150mm, 200mm, 40mm)
- NPT&PT1/4 (Not available 150mm, 200mm, 40mm)
- PF3/8 (Not available 60mm, 40mm, 50mm)
- NPT&PT3/8 (Not available 60mm, 40mm, 50mm)
- PF1/2 (Not available 60mm, 75mm, 40mm, 50mm)
- NPT&PT1/2 (Not available 60mm, 75mm, 40mm, 50mm)

RANGE :

- 40mm : 0,2 ~ 25MPa
- 50mm : 0,2 ~ 25MPa
- 60mm : -0,1 ~ 2MPa, -0,1 ~ 0MPa, 0 ~ 35MPa
- 75mm : -0,1 ~ 2MPa, -0,1 ~ 0MPa, 0 ~ 35MPa
- 100mm : -0,1 ~ 2MPa, -0,1 ~ 0MPa, 0 ~ 200MPa
- 150mm : -0,1 ~ 2MPa, -0,1 ~ 0MPa, 0 ~ 200MPa
- 200mm : -0,1 ~ 2MPa, -0,1 ~ 0MPa, 0 ~ 100MPa

NOMINAL DIAMETER & ACCURACY :

- 40mm (Accuracy: ±3.0% of Full Scale)
- 50mm (Accuracy: ±1.5% of Full Scale)
- 60mm (Accuracy: ±1.5% of Full Scale)
- 75mm (Accuracy: ±1.5% of Full Scale)
- 100mm (Accuracy: ±1.0% of Full Scale)
- 150mm (Accuracy: ±1.0% of Full Scale)
- 200mm (Accuracy: ±1.0% of Full Scale)

BASE MODEL & MOUNTING TYPE :

- SS-3021(A:Rimless type) : Bottom Connection, Direct
- SS-3022(B:Surface type) : Bottom Connection, Surface
- SS-3023(D:Flush mounting type) : Lower Back Connection, Direct
- SS-3024(BD:Panel attachment type) : Lower Back Connection, Flush
 - ▶ 200mm : Only available with SS-3022, SS-3024

Pressure Gauge

Differential Pressure Gauge & Switch

Accessories of Pressure Gauge

Thermometer & Thermometer Switch

Thermocouple & RTD

Thermowell

Transmitter

Indicator etc.

Technical data

Special Pressure Gauge

Model No. **SS-3020 Series**



SS-3021



SS-3024

Summary

This gauge has high corrosive resistance and it is properly built to measure fluid pressure which can withstand outside condition change. It has high accuracy because its connecting part is made of stainless steel.

Safety Management

- Be sure to install a protecting device where exist abrupt change of pressure, vibration and pulsation.
- Do not give impact during the transportation, installation and usage.
- Be sure to install pressure gauge to be horizontal and vertical.

Purpose of Use

- Various plants such as petrochemistry, etc. (corrosive atmosphere, steam, place where exists a lot of dust, outdoor)
- Special fluid line for industrial use.

Production Specification

- ▶ Diameter
 - 40, 50, 60, 75, 100, 150 mm
- ▶ Accuracy
 - 40mm : $\pm 3\%$ of Full Scale
 - 50mm이상 : $\pm 1.5\%$ of Full Scale
 - 100, 150mm : $\pm 1.0\%$ of Full Scale
- ▶ Working Pressure
 - Static pressure : 75% of Full Scale
 - Fluctuating pressure : 60% of Full Scale
- ▶ Working Temperature
 - Ambient : $-20 \sim 65^\circ\text{C}$
 - Fluid : $-20 \sim 80^\circ\text{C}$
- ▶ Degree of Protection
 - IP67

▶ Range

40mm	0.2 ~ 25 MPa
50mm	
60mm	- 0.1 ~ 2 MPa
75mm	- 0.1 ~ 0 MPa 0 ~ 35 MPa
100mm	- 0.1 ~ 2 MPa
150mm	- 0.1 ~ 0 MPa 0 ~ 200 MPa

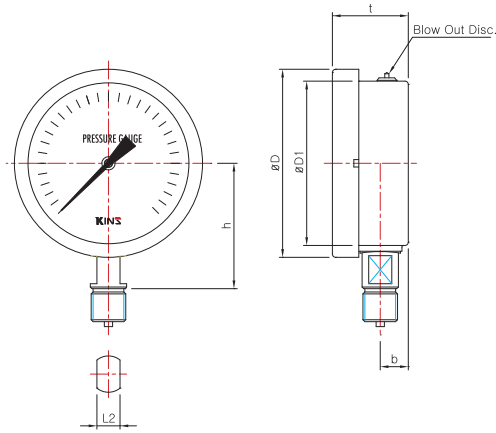
Product Specification

- | | | |
|--|--|---|
| <ul style="list-style-type: none"> + Case <ul style="list-style-type: none"> · STS 304 + Cover <ul style="list-style-type: none"> · STS 304 · Slip-on-Fit + Connection <ul style="list-style-type: none"> · STS 316 · PF, PT, NPT ↔ 1/4, 3/8, 1/2 · UNF 7/16 + Window <ul style="list-style-type: none"> · Tempered safety glass, · Laminated safety glass | <ul style="list-style-type: none"> + Type <ul style="list-style-type: none"> · A-Type (Rimless type) · B-Type (Surface type) · D-Type (Flush mounting type) · BD-Type (Panel attachment type) + Pointer <ul style="list-style-type: none"> · Aluminum · Black coating + Dial <ul style="list-style-type: none"> · Aluminum · White color coating · Black (MPa), red (bar) gradations and characters | <ul style="list-style-type: none"> + Element <ul style="list-style-type: none"> · STS 304, STS 316 · C type bourdon tube, helical type bourdon tube + Movement <ul style="list-style-type: none"> · STS 304 + Option <ul style="list-style-type: none"> · Blow out protection on the Top Rubber Disc · Bracket · Throttles · Accessories |
|--|--|---|

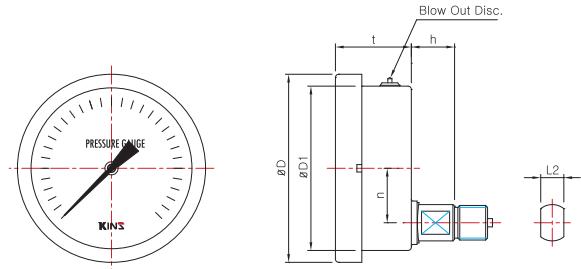
Special Pressure Gauge

Model No. SS-3020 Series

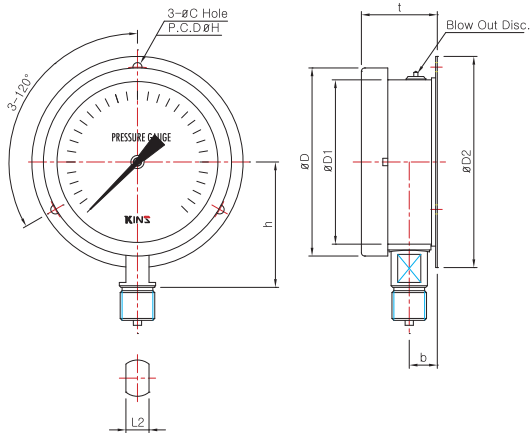
Model No. | SS-3021
A Type (60, 75, 100, 150mm)



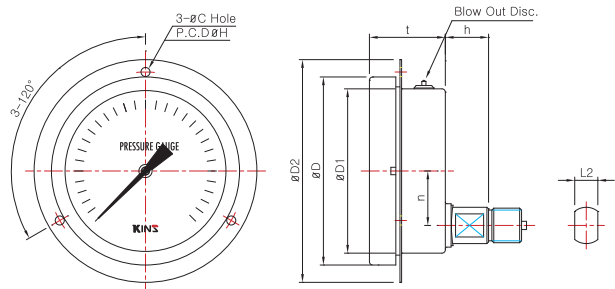
Model No. | SS-3023
D Type (60, 75, 100, 150mm)



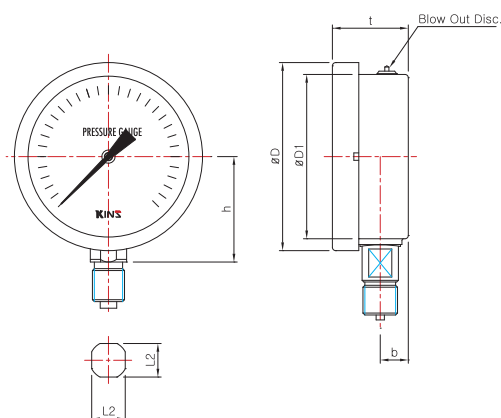
Model No. | SS-3022
B Type (60, 75, 100, 150mm)



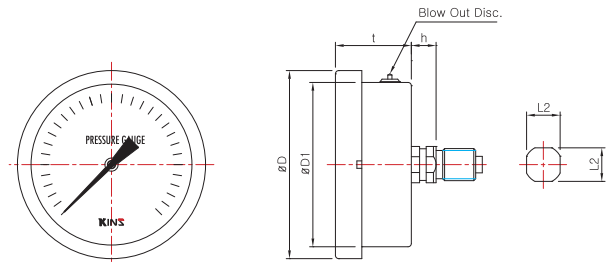
Model No. | SS-3024
BD Type (60, 75, 100, 150mm)



Model No. | SS-3021
A Type (40, 50mm)



Model No. | SS-3023
D Type (40, 50mm)



Pressure Gauge

Differential Pressure Gauge & Switch

Accessories of Pressure Gauge

Thermometer & Thermometer Switch

Thermocouple & R.T.D

Thermowell

Transmitter

Indicator etc.

Technical data

Dimensions (mm)

	Model No.	Conn'n (d)	ØD	ØD1	ØD2	b	n	t	L2	h	ØC	ØH
40mm	SS-3021	NPT & PT, PF 1/8	46.2	41	-	7.5	-	(26.5)	12	(26.5)	-	-
	SS-3023	NPT & PT, PF 1/8	46.2	41	-	-	-	(26.5)	12	(7.5)	-	-
50mm	SS-3021	NPT & PT, PF 1/8	58.2	51.7	-	9.5	-	(30)	14	(35.5)	-	-
		NPT & PT, PF 1/4										
	SS-3023	NPT & PT, PF 1/8	58.2	51.7	-	-	-	(30)	14	(7.5)	-	-
		NPT & PT, PF 1/4										
60mm	SS-3021 & SS-3022	UNF 7/16	72	64	84	12	-	(39)	12	(48)	4.5	72
		NPT & PT, PF 1/8										
		NPT & PT, PF 1/4										
	SS-3023 & SS-3024	UNF 7/16	72	64	90	-	17	(39)	12	(20)	4.5	81
		NPT & PT, PF 1/8										
		NPT & PT, PF 1/4										
75mm	SS-3021 & SS-3022	UNF 7/16	87	77	100	14	-	(40)	14	(54)	4.5	88
		NPT & PT, PF 1/4										
		NPT & PT, PF 3/8										
	SS-3023 & SS-3024	UNF 7/16	87	77	107	-	22	(40)	14	(17)	4.5	97
		NPT & PT, PF 1/4										
		NPT & PT, PF 3/8										
100mm	SS-3021 & SS-3022	UNF 7/16	114	100	128	17	-	(46)	17	(76)	5.5	115
		NPT & PT, PF 1/4										
		NPT & PT, PF 3/8										
		NPT & PT, PF 1/2										
	SS-3023 & SS-3024	UNF 7/16	114	100	135	-	33	(46)	17	(26)	5.5	120
		NPT & PT, PF 1/4										
		NPT & PT, PF 3/8										
		NPT & PT, PF 1/2										
150mm	SS-3021 & SS-3022	UNF 7/16	168	152	188	17	-	(50)	17	(100)	5.5	174
		NPT & PT, PF 1/4										
		NPT & PT, PF 3/8										
		NPT & PT, PF 1/2										
	SS-3023 & SS-3024	UNF 7/16	168	152	188	-	33	(50)	17	(26)	5.5	174
		NPT & PT, PF 1/4										
		NPT & PT, PF 3/8										
		NPT & PT, PF 1/2										

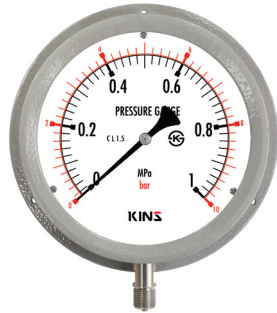
*()The measurement in the blanket is approximate.

- Pressure Gauge
- Differential Pressure Gauge & Switch
- Accessories of Pressure Gauge
- Thermometer & Thermometer Switch
- Thermocouple & R.T.D
- Thermowell
- Transmitter
- Indicator etc.
- Technical data

Liquid Filled Special Pressure Gauge

Model No. **SS-3020 Series**

KINS



SS-3022 200mm

Summary

This gauge has high corrosive resistance and it is properly built to measure fluid pressure which can withstand outside condition change. It has high accuracy because its connecting part is made by stainless steel.

Safety Management

- Be sure to install a protecting device where exist abrupt change of pressure, vibration and pulsation.
- Do not give impact during the transportation, installation and usage.
- Be sure to install pressure gauge to be horizontal and vertical.

Purpose of Use

- Various plants such as petrochemistry, etc. (corrosive atmosphere, steam, place where exists a lot of dust, outdoor)
- Special fluid line for industrial use.

Production Specification

- ▶ Diameter
 - 200 mm
- ▶ Accuracy
 - $\pm 1.0\%$ of Full Scale
- ▶ Working Pressure
 - Static pressure : 75% of Full Scale
 - Fluctuating pressure : 60% of Full Scale
- ▶ Working Temperature
 - Ambient : $-20 \sim 65$ °C
 - Fluid : $-20 \sim 80$ °C
- ▶ Degree of Protection
 - IP 67

▶ Range

200mm	- 0.1 ~ 2 MPa
	- 0.1 ~ 0 MPa
	0 ~ 100 MPa

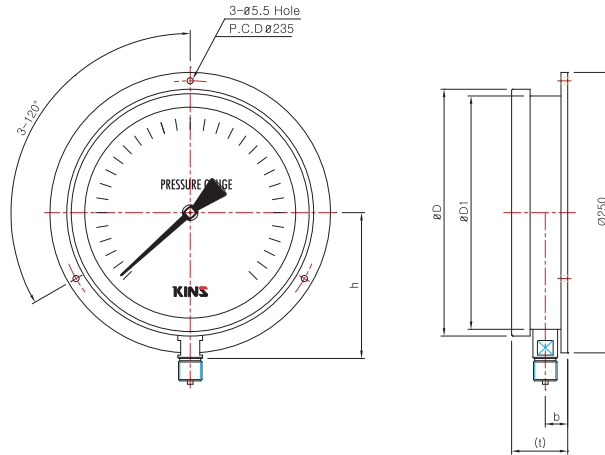
Product Specification

- | | | |
|--|--|---|
| <ul style="list-style-type: none"> + Case <ul style="list-style-type: none"> · Aluminum (Hammer tone coating) + Cover <ul style="list-style-type: none"> · Aluminum (Hammer tone coating) + Connection <ul style="list-style-type: none"> · STS 316 · PF, PT, NPT ↔ 3/8, 1/2 + Window <ul style="list-style-type: none"> · Tempered safety glass, · Laminated safety glass | <ul style="list-style-type: none"> + Type <ul style="list-style-type: none"> · B-Type (Surface type) · D-Type (Flush mounting type) + Pointer <ul style="list-style-type: none"> · Aluminum · Black coating + Dial <ul style="list-style-type: none"> · Aluminum · White color coating · Black (MPa), red (bar) gradations and characters | <ul style="list-style-type: none"> + Element <ul style="list-style-type: none"> · STS 304, STS 316 · C type bourdon tube, helical type bourdon tube + Movement <ul style="list-style-type: none"> · STS 304 + Option <ul style="list-style-type: none"> · Bracket · Throttles · Accessories |
|--|--|---|

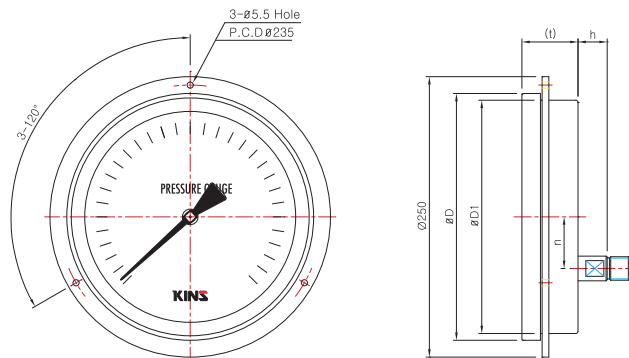
Liquid Filled Special Pressure Gauge

Model No. SS-3020 Series

Model No. | SS-3022 (200mm) B Type (Surface type)



Model No. | SS-3024 (200mm) BD Type (Panel attachment type)



Dimensions (mm)

	Model No.	Conn'n (d)	ØD	ØD1	b	n	t	L2	h
200mm	SS-3022	NPT & PT, PF 1/4	220	208	20	-	(58)	17	(130)
		NPT & PT, PF 3/8							
		NPT & PT, PF 1/2							
	SS-3024	NPT & PT, PF 1/4	220	208	-	33	(58)	17	(26)
		NPT & PT, PF 3/8							
		NPT & PT, PF 1/2							

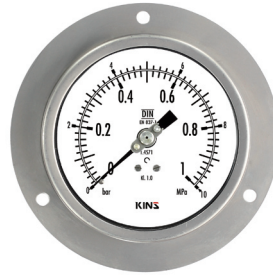
*()The measurement in the blanket is approximate.

Euro Pressure Gauge (DIN)

Model No. SD-3020 Series



SD-3021



SD-3024

Summary

This gauge has high corrosive resistance and inner chemical capability. This is built to be proper for corrosive atmosphere. The appearance looks beautiful because the case, cover and the connecting part are made of stainless steel and it has high accuracy.

Safety Management

- Be sure to install a protecting device where exist abrupt change of pressure, vibration and pulsation.
- Do not give impact during the transportation, installation and usage.
- Be sure to install pressure gauge to be horizontal and vertical.

Purpose of Use

- Generators (thermal, hydraulic, nuclear power plant)
- Various plants of chemistry, refinery, shipbuilding, etc.
- Food industry

Production Specification

- ▶ Diameter
 - 63, 80, 100, 160 mm
- ▶ Accuracy
 - 63, 80mm : $\pm 1.6\%$ of Full Scale
 - 100, 160mm : $\pm 1.0\%$ of Full Scale
- ▶ Working Pressure
 - Static pressure : 75% of Full Scale
 - Fluctuating pressure : 60% of Full Scale
- ▶ Working Temperature
 - Ambient : $-20 \sim 65$ °C
 - Fluid : $-20 \sim 80$ °C
- ▶ Degree of Protection
 - IP67

▶ Range

63mm	- 0.1 ~ 0 MPa
80mm	0 ~ 25 MPa
100mm	- 0.1 ~ 0 MPa
160mm	0 ~ 200 MPa

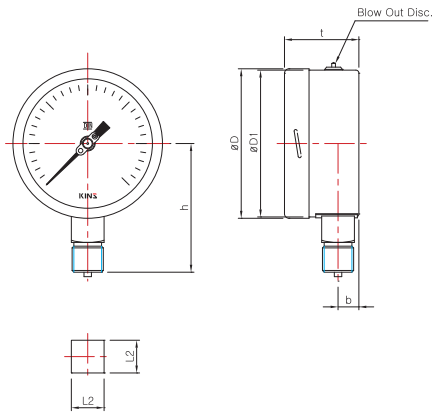
Product Specification

- | | | |
|---|--|---|
| <ul style="list-style-type: none"> + Case <ul style="list-style-type: none"> · STS 304 + Cover <ul style="list-style-type: none"> · STS 304 · Bayonet Type + Connection <ul style="list-style-type: none"> · STS 316 · UNF 7/16 · PF, PT, NPT ↔ 1/4, 3/8, 1/2 + Window <ul style="list-style-type: none"> · Tempered safety glass, · Laminated safety glass | <ul style="list-style-type: none"> + Type <ul style="list-style-type: none"> · A-Type (Rimless type) · B-Type (Surface type) · D-Type (Flush mounting type) · BD-Type (Panel attachment type) + Pointer <ul style="list-style-type: none"> · Aluminum · Black coating + Dial <ul style="list-style-type: none"> · Aluminum · White color coating · Black (MPa), red (bar) gradations and characters | <ul style="list-style-type: none"> + Element <ul style="list-style-type: none"> · STS 304, STS 316 · C type bourdon tube, helical type bourdon tube + Movement <ul style="list-style-type: none"> · STS 304 + Option <ul style="list-style-type: none"> · Top & Back · Bracket · Throttles · Accessories |
|---|--|---|

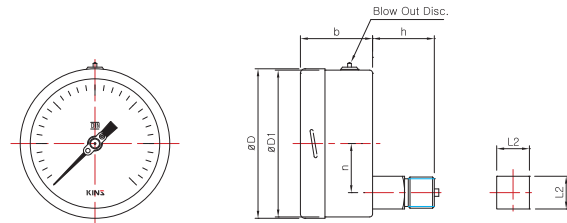
Euro Pressure Gauge (DIN)

Model No. SD-3020 Series

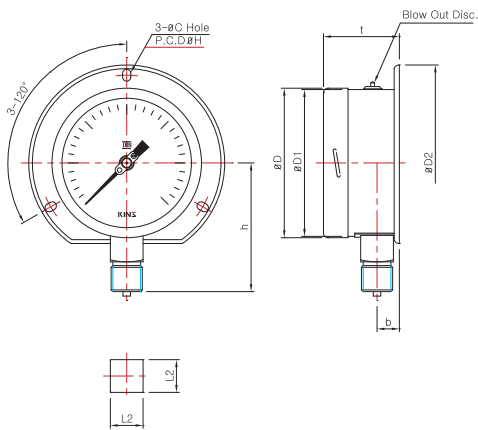
Model No. | SD-3021
A Type (63, 80, 100, 160mm)



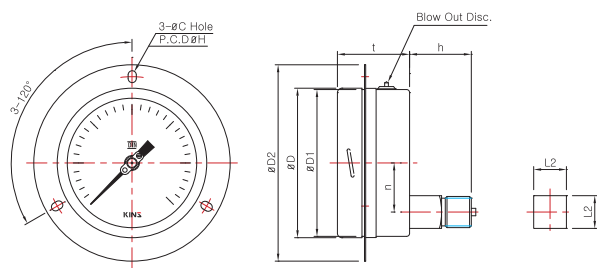
Model No. | SD-3023
D Type (80, 100, 160mm)



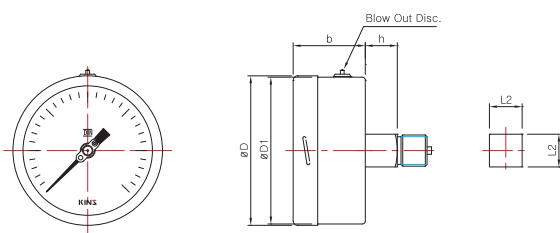
Model No. | SD-3022
B Type (63, 80, 100, 160mm)



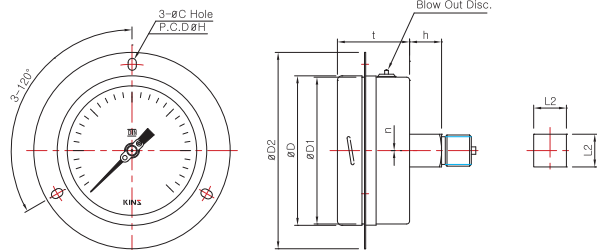
Model No. | SD-3024
BD Type (80, 100, 160mm)



Model No. | SD-3023
D Type (63 mm)



Model No. | SD-3024
BD Type (63 mm)



Pressure Gauge

Differential Pressure Gauge & Switch

Accessories of Pressure Gauge

Thermometer & Thermometer Switch

Thermocouple & R.T.D

Thermowell

Transmitter

Indicator etc.

Technical data

Dimensions (mm)

	Model No.	Conn'n (d)	ØD	ØD1	ØD2	b	n	t	L2	h	ØC(OB)	ØH
63mm	SD-3021 & SD-3022	UNF 7/16	63.6	61.5	85	9	-	(33)	14	(40.5)	4.5x6.5	75
		NPT & PT, PF 1/8										
		NPT & PT, PF 1/4										
	SD-3023 & SD-3024	UNF 7/16	63.6	61.5	92	-	-	(33)	14	(12.5)	4.5x6.5	78
		NPT & PT, PF 1/8										
		NPT & PT, PF 1/4										
80mm	SD-3021 & SD-3022	UNF 7/16	79.5	77.5	111	13	-	(40)	17	(53)	4.5x6.5	95
		NPT & PT, PF 1/4										
		NPT & PT, PF 1/8										
	SD-3023 & SD-3024	UNF 7/16	79.5	77.5	112	-	22	(40)	17	(16)	4.5x6.5	95
		NPT & PT, PF 1/4										
		NPT & PT, PF 3/8										
100mm	SD-3021 & SD-3022	UNF 7/16	100.5	98.7	132	15	-	(48.5)	22	(66.5)	5.5x8	118
		NPT & PT, PF 1/4										
		NPT & PT, PF 3/8										
		NPT & PT, PF 1/2										
	SD-3023 & SD-3024	UNF 7/16	100.5	98.7	132	-	32	(48.5)	22	(20.5)	5.5x8	118
		NPT & PT, PF 1/4										
NPT & PT, PF 1/2												
160mm	SD-3021 & SD-3022	NPT & PT, PF 1/4	160	146	182.5	17	-	(51)	22	(102)	5.5x8	162
		NPT & PT, PF 3/8										
		NPT & PT, PF 1/2										
	SD-3023 & SD-3024	NPT & PT, PF 1/4	160	146	192	-	48	(51)	22	(20)	5.5x8	178
		NPT & PT, PF 3/8										
		NPT & PT, PF 1/2										

*()The measurement in the blanket is approximate.

- Pressure Gauge
- Differential Pressure Gauge & Switch
- Accessories of Pressure Gauge
- Thermometer & Thermometer Switch
- Thermocouple & R.T.D
- Thermowell
- Transmitter
- Indicator etc.
- Technical data

Solid Front Safety Pressure Gauge

Model No. **SF-3020 Series**

KINS



SF-3021 100mm

Summary

This gauge is very safe even when the pressure increases because the front side is strong and made of blow out back. The appearance is beautiful because the case, cover and the connecting part are made of stainless steel and the pressure gauge has high corrosive resistance and inner chemical capability.

Safety Management

- Be sure to install a protecting device where exist abrupt change of pressure, vibration and pulsation.
- Do not give impact during the transportation, installation and usage.
- Be sure to install pressure gauge to be horizontal and vertical.

Purpose of Use

- Power plants (thermal, hydraulic, nuclear)
- Various plants of chemistry, refinery, shipbuilding, etc.
- Food industry

Production Specification

- ▶ **Diameter**
 - 100 mm
- ▶ **Accuracy**
 - $\pm 1.0\%$ of Full Scale
- ▶ **Scale Range**
 - $-1 \sim 0$ to $0 \sim 200$ MPa
- ▶ **Working Pressure**
 - Static pressure : 75% of Full Scale
 - Fluctuating pressure : 60% of Full Scale
- ▶ **Working Temperature**
 - Ambient : $-20 \sim 65$ °C
 - Fluid : $-20 \sim 80$ °C

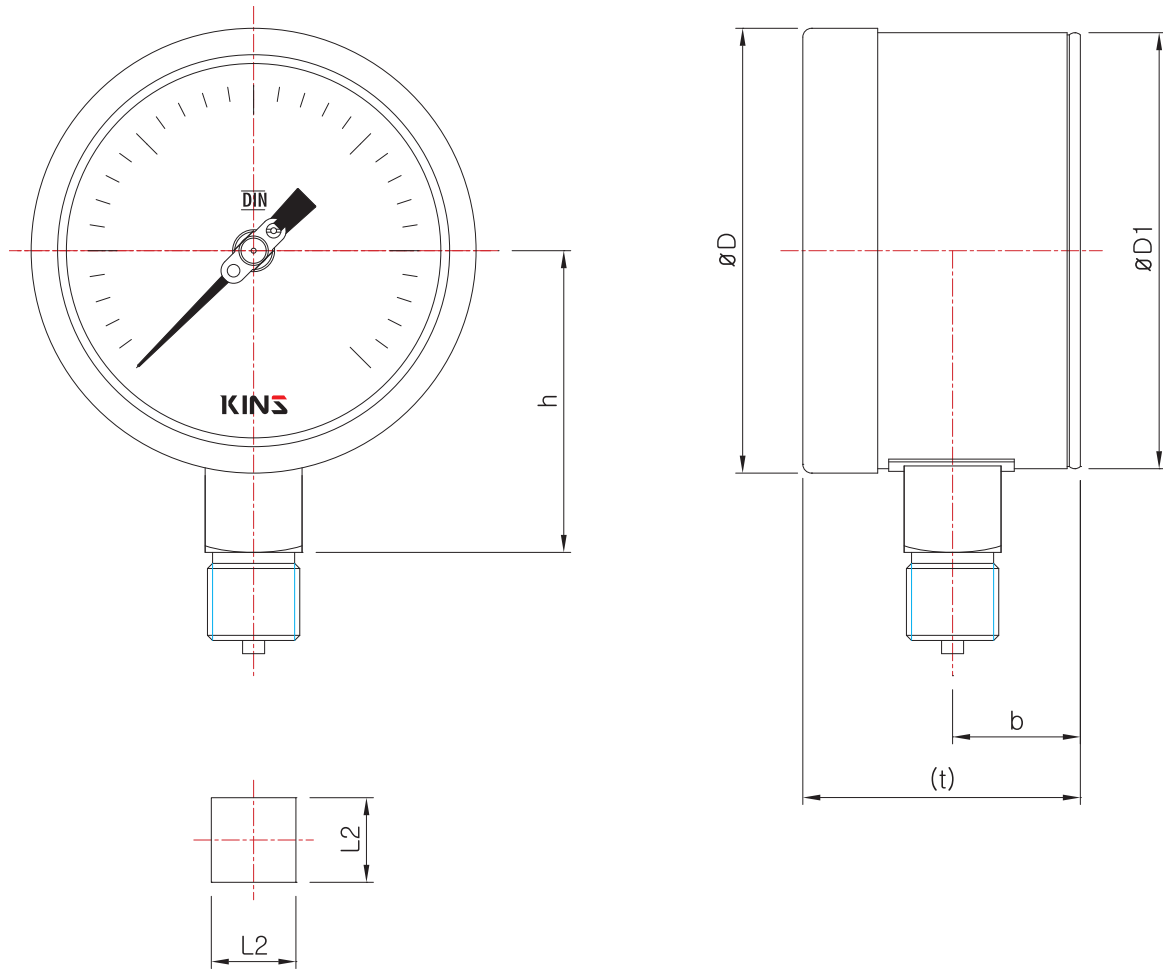
Product Specification

<p>+ Case</p> <ul style="list-style-type: none"> · STS 304 	<p>+ Pointer</p> <ul style="list-style-type: none"> · Aluminum · Black coating 	<p>+ Dial</p> <ul style="list-style-type: none"> · Aluminum · White color coating · Black (MPa), red (bar) gradations and characters
<p>+ Window</p> <ul style="list-style-type: none"> · Tempered safety glass, · Laminated safety glass 	<p>+ Element</p> <ul style="list-style-type: none"> · STS 304, STS 316 · C type bourdon tube, helical type bourdon tube 	<p>+ Option</p> <ul style="list-style-type: none"> · Bracket · Throttles · Accessories
<p>+ Cover</p> <ul style="list-style-type: none"> · STS 304 · Bayonet Type 	<p>+ Movement</p> <ul style="list-style-type: none"> · STS 304 	
<p>+ Connection</p> <ul style="list-style-type: none"> · STS 316 · PF, PT, NPT ↔ 3/8, 1/2 	<p>+ Type</p> <ul style="list-style-type: none"> · A-Type (Rimless type) [Solid Front Type] 	

Solid Front Safety Pressure Gauge

Model No. **SF-3020 Series**

Model No. | **SF-3021 (100mm)**
A Type (Rimless type)



Dimensions (mm)

Model No.	Conn'n (d)	ØD	ØD1	b	n	t	L2	h
SF-3021	NPT & PT, PF 3/8	101	99	29	-	(63)	22	(66.5)
	NPT & PT, PF 1/2							

*()The measurement in the blanket is approximate.

Solid Front Safety Pressure Gauge

Model No. **SF-3020 Series**

KINS



SF-3022 125mm

Summary

This gauge is very safe even when the pressure increases because the front side is strong and made of blow out back. For corrosive resistance and thermostability, the case and cover are built by 4 1/2 phenolic resin.

Safety Management

- Be sure to install a protecting device where exist abrupt change of pressure, vibration and pulsation.
- Do not give impact during the transportation, installation and usage.
- Be sure to install pressure gauge to be horizontal and vertical.

Purpose of Use

- Power plants (thermal, hydraulic, nuclear)
- Various plants of chemistry, refinery, shipbuilding, etc.
- Food industry

Production Specification

- ▶ **Diameter**
 - 125 mm
- ▶ **Accuracy**
 - 0.5% and $\pm 1.0\%$ of Full Scale
- ▶ **Scale Range**
 - $-1 \sim 0$ to $0 \sim 200$ MPa
- ▶ **Working Pressure**
 - Static pressure : 75% of Full Scale
 - Fluctuating pressure : 60% of Full Scale
- ▶ **Working Temperature**
 - Ambient : $-20 \sim 65$ °C
 - Fluid : $-20 \sim 80$ °C

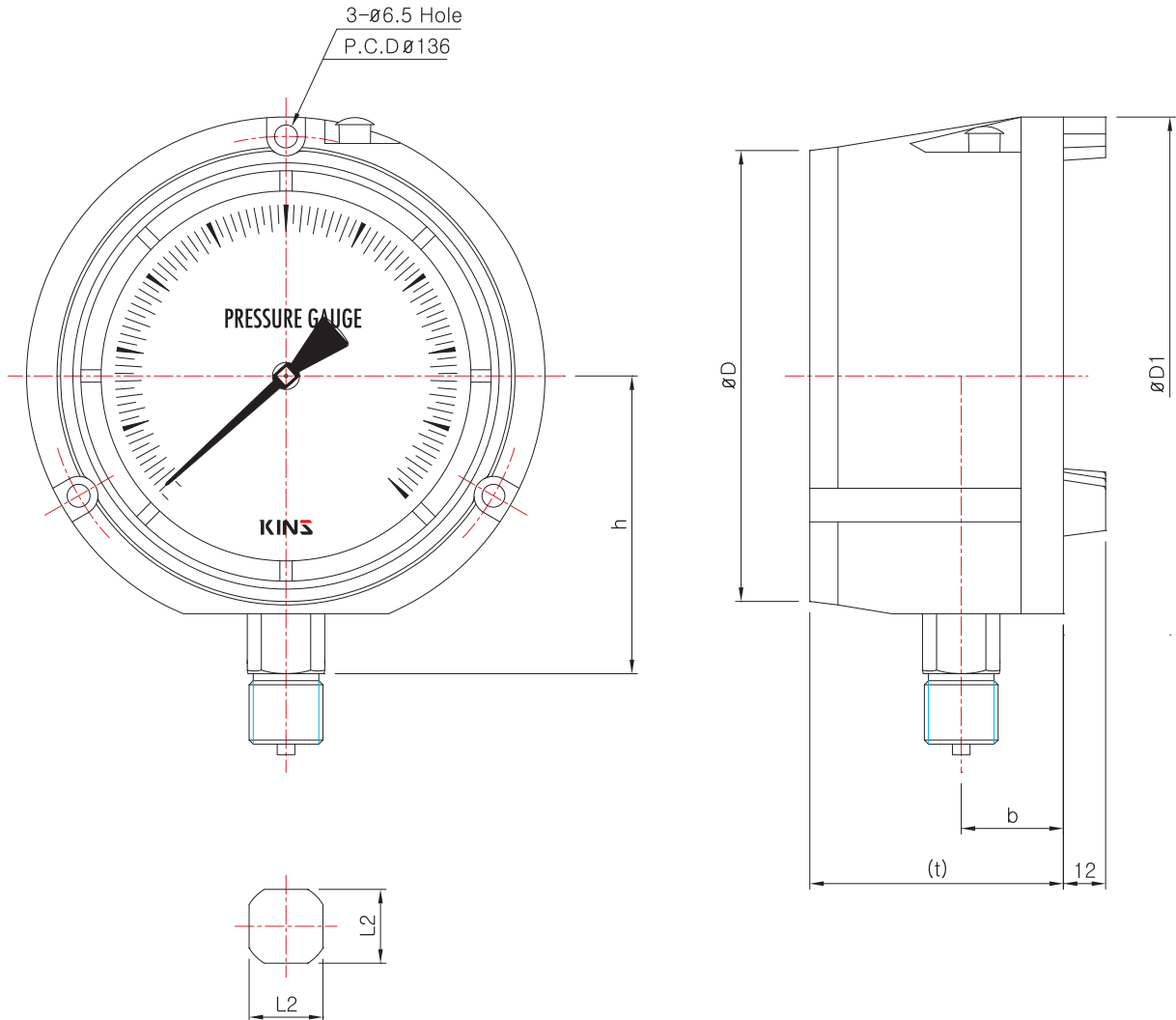
Product Specification

<p>+ Case</p> <ul style="list-style-type: none"> · Phenolic Resin 	<p>+ Type</p> <ul style="list-style-type: none"> · B-Type (Surface type) [Sold Front Type] 	<p>+ Element</p> <ul style="list-style-type: none"> · STS 304, STS 316 · C type bourdon tube, helical type bourdon tube
<p>+ Cover</p> <ul style="list-style-type: none"> · Phenolic Resin 	<p>+ Pointer</p> <ul style="list-style-type: none"> · Aluminum · Black coating 	<p>+ Movement</p> <ul style="list-style-type: none"> · STS 304
<p>+ Connection</p> <ul style="list-style-type: none"> · STS 316 · PF, PT, NPT ↔ 3/8, 1/2 	<p>+ Dial</p> <ul style="list-style-type: none"> · Aluminum · White color coating · Black gradation and characters 	<p>+ Option</p> <ul style="list-style-type: none"> · Bracket · Throttles · Accessories
<p>+ Window</p> <ul style="list-style-type: none"> · Tempered safety glass, Laminated safety glass 		

Solid Front Safety Pressure Gauge

Model No. **SF-3020 Series**

Model No. | **SF-3022 (125mm)**
B Type (Surface type)



Dimensions (mm)

Model No.	Conn'n (d)	ØD	ØD1	b	n	t	L2	h
SF-3022	NPT & PT, PF 3/8	124	147	29	-	(72)	22	(85)
	NPT & PT, PF 1/2							

*()The measurement in the blanket is approximate.

Pressure Gauge

Differential Pressure Gauge & Switch

Accessories of Pressure Gauge

Thermometer & Thermometer Switch

Thermocouple & R.T.D

Thermowell

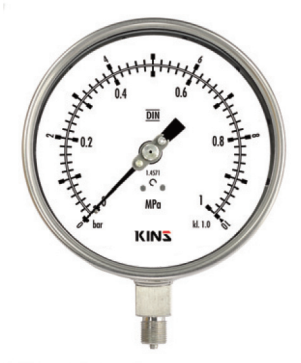
Transmitter

Indicator etc.

Technical data

Solid Front Safety Pressure Gauge

Model No. **SF-3020 Series**



SF-3021 160mm

Summary

This gauge is very safe even when the pressure increases because the front side is strong and made of blow out back. The appearance is beautiful because the case, cover and the connecting part are made of stainless steel and the pressure gauge has high corrosive resistance and inner chemical capability.

Safety Management

- Be sure to install a protecting device where exist abrupt change of pressure, vibration and pulsation.
- Do not give impact during the transportation, installation and usage.
- Be sure to install pressure gauge to be horizontal and vertical.

Purpose of Use

- Power plants (thermal, hydraulic, nuclear)
- Various plants of chemistry, oil, ship, etc.
- Food industry

Production Specification

- ▶ **Diameter**
 - 160 mm
- ▶ **Accuracy**
 - $\pm 1.0\%$ of Full Scale
- ▶ **Scale Range**
 - $-1 \sim 0$ to $0 \sim 200$ MPa
- ▶ **Working Pressure**
 - Static pressure : 75% of Full Scale
 - Fluctuating pressure : 60% of Full Scale
- ▶ **Working Temperature**
 - Ambient : $-20 \sim 65$ °C
 - Fluid : $-20 \sim 80$ °C

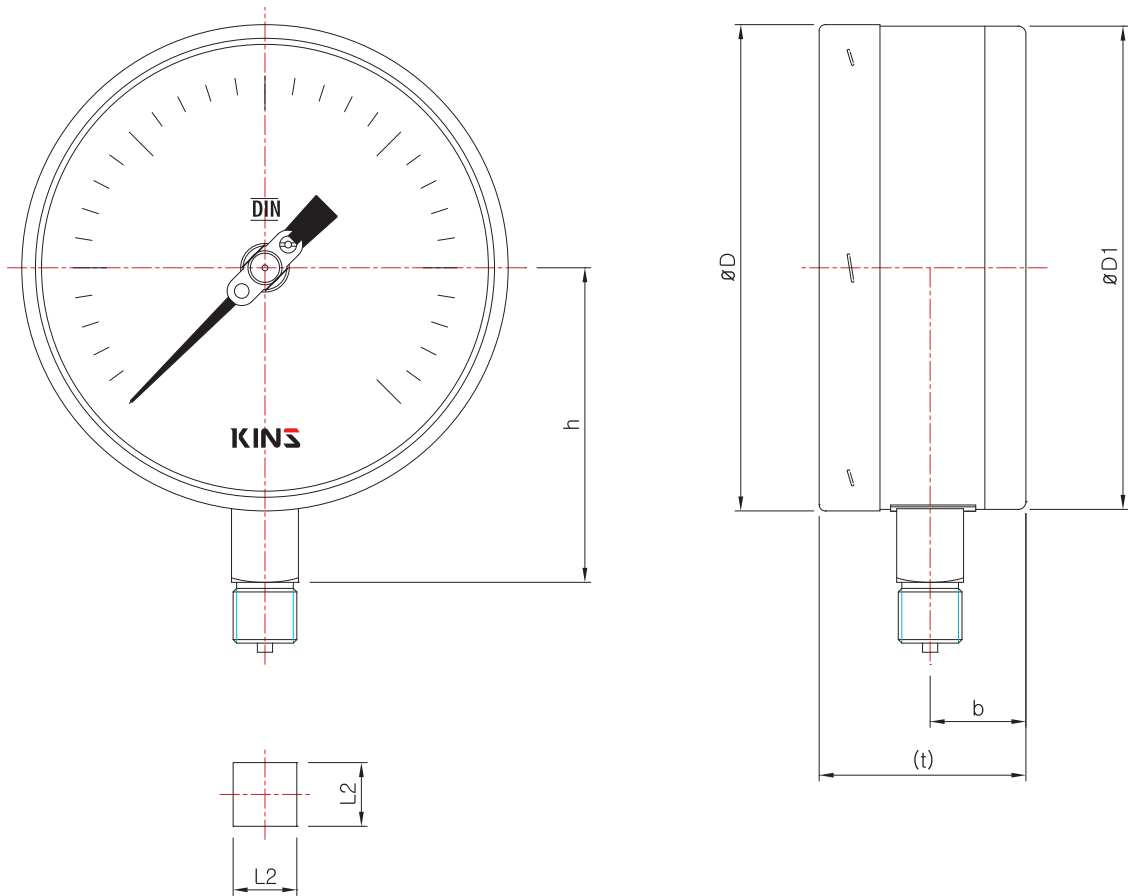
Product Specification

- | | | |
|--|--|--|
| <ul style="list-style-type: none"> + Case <ul style="list-style-type: none"> · STS 304 + Cover <ul style="list-style-type: none"> · STS 304 · Bayonet Type + Window <ul style="list-style-type: none"> · Tempered safety glass, · Laminated safety glass + Connection <ul style="list-style-type: none"> · STS 316 · PF, PT, NPT ↔ 3/8, 1/2 | <ul style="list-style-type: none"> + Pointer <ul style="list-style-type: none"> · Aluminum · Black coating + Element <ul style="list-style-type: none"> · STS 304, STS 316 · C type bourdon tube, helical type bourdon tube + Movement <ul style="list-style-type: none"> · STS 304 + Type <ul style="list-style-type: none"> · A-Type (Rimless type) [Solid Front Type] | <ul style="list-style-type: none"> + Dial <ul style="list-style-type: none"> · Aluminum · White color coating · Black gradation and characters + Option <ul style="list-style-type: none"> · Bracket · Throttles · Accessories |
|--|--|--|

Solid Front Safety Pressure Gauge

Model No. **SF-3020 Series**

Model No. | **SF-3021 (160mm)**
A-Type (Rimless type)



Dimensions (mm)

Model No.	Conn'n (d)	ØD	ØD1	b	n	t	L2	h
SF-3021	NPT & PT, PF 3/8	160	159	31,5	-	(68)	22	(112)
	NPT & PT, PF 1/2							

*()The measurement in the blanket is approximate.

Pressure Gauge (with Electric Contact)

Model No. **SS-3025~8 Series**

KINS

Ordering Information

SS-3025 x 100mm x 0 ~ 10MPa x 2P x L,H x PF3/8

Connection :

- PF1/4
- NPT&PT1/4
- PF3/8
- NPT&PT3/8
- PF1/2
- NPT&PT1/2

Contacts Type :

- L : Low Contact (SPST*1)
- H : High Contact(SPST*1)
- L,H : Low & High Contact(SPST *2)
- L,L : Low & Low Contact(SPST*2)
- H,H : High & High Contact(SPST*2)

Number of Contacts :

- 1P : SPST *1
- 2P : SPST *2

Range :

- 100mm : -0,1 ~ 2 MPa, -0,1 ~ 0MPa, 0 ~ 100MPa
- 150mm : -0,1 ~ 2 MPa, -0,1 ~ 0MPa, 0 ~ 100MPa

Nominal Diameter & Accuracy :

- 100mm (Accuracy: $\pm 1,0\%$ of Full Scale)
- 150mm (Accuracy: $\pm 1,0\%$ of Full Scale)

Base Model & Mounting Type :

- SS-3025(A:Rimless type) : Bottom Connection, Direct
- SS-3026(B:Surface type) : Bottom Connection, Surface
- SS-3027(D:Flush mounting type) : Lower Back Connection, Direct
- SS-3028(BD:Panel attachment type) : Lower Back Connection, Flush

Pressure Gauge

Differential Pressure Gauge & Switch

Accessories of Pressure Gauge

Thermometer & Thermometer Switch

Thermocouple & R.T.D

Thermowell

Transmitter

Indicator etc.

Technical data

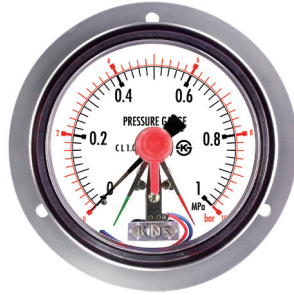
Pressure Gauge (with Electric Contact)

Model No. **SS-3025~8 Series**

KINS



SS-3025



SS-3028

Summary

This gauge has a contact device inside the indicator. Not only indicating of pressure but also it is able to control and report by sending a electric signal in a built-in contact device which was already set up.

Safety Management

- Be sure to install a protecting device where exist abrupt change of pressure, vibration and pulsation.
- Do not give impact during the transportation, installation and usage.
- Be sure to install pressure gauge to be horizontal and vertical.

Purpose of Use

- Various pressure controlling, warning system
- Oil pressure press
- Special fluid line for industrial use, etc.

Production Specification

- ▶ **Diameter**
 - 100, 150 mm
- ▶ **Accuracy**
 - $\pm 1.0\%$ of Full Scale
- ▶ **Working Pressure**
 - Static pressure : 75% of Full Scale
 - Fluctuating pressure : 60% of Full Scale
- ▶ **Working Temperature**
 - Ambient : $-20 \sim 65$ °C
 - Fluid : $-20 \sim 80$ °C

▶ Range

100mm	- 0.1 ~ 2 MPa
150mm	- 0.1 ~ 0 MPa 0 ~ 100 MPa

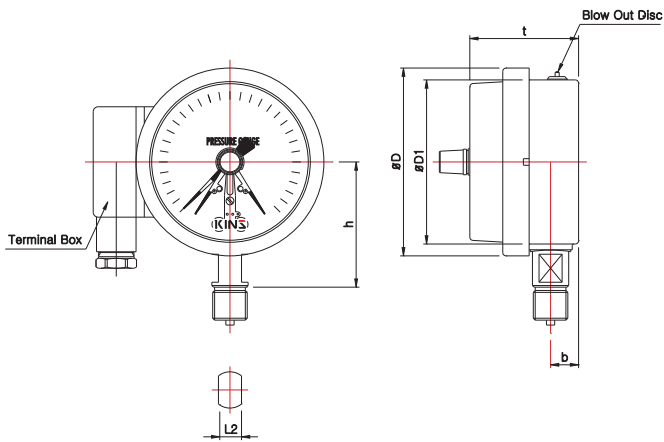
Product Specification

- | | | |
|--|--|---|
| <ul style="list-style-type: none"> + Case <ul style="list-style-type: none"> · STS 304 + Cover <ul style="list-style-type: none"> · STS 304 · Slip-on-Fit + Connection <ul style="list-style-type: none"> · STS 316 · PF, PT, NPT ↔ 1/4, 3/8, 1/2 + Window <ul style="list-style-type: none"> · Poly Carbonate + Type <ul style="list-style-type: none"> · A-Type (Rimless type) · B-Type (Surface type) · D-Type (Flush mounting type) · BD-Type (Panel attachment type) | <ul style="list-style-type: none"> + Pointer <ul style="list-style-type: none"> · Phosphor bronze · Black coating · Contact indicator High ↔ Red · Contact indicator Low ↔ Green + Dial <ul style="list-style-type: none"> · Aluminum · White color coating · Black (MPa), red (bar) gradations and characters + Contact rating <ul style="list-style-type: none"> · AC 125 0.5A / 250V 0.25A · DC 24V 0.25A + Movement <ul style="list-style-type: none"> · STS 304 | <ul style="list-style-type: none"> + Element <ul style="list-style-type: none"> · STS 304, STS 316 · C type bourdon tube, helical type bourdon tube + Contact Form <ul style="list-style-type: none"> · SPST * 1, SPST * 2 · High, low 2 contact (high or Low, High & High High & Low, Low & Low) + Option <ul style="list-style-type: none"> · Bracket · Throttles · Accessories |
|--|--|---|

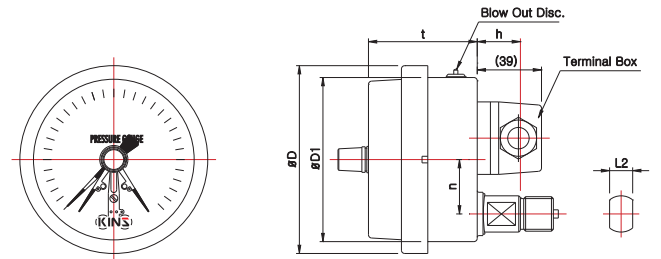
Pressure Gauge (with Electric Contact)

Model No. SS-3025~8 Series

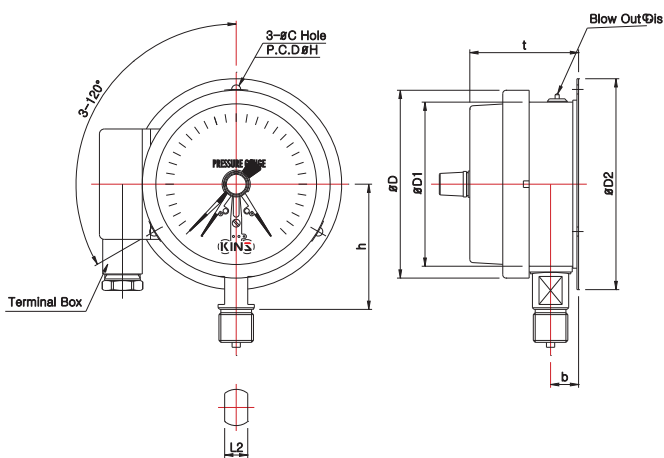
Model No. | SS-3025
A Type (100, 150mm)



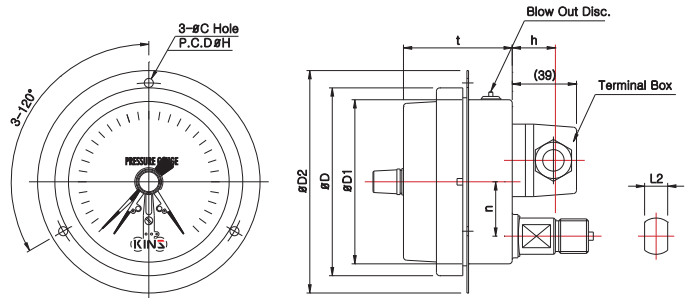
Model No. | SS-3027
D Type (100, 150mm)



Model No. | SS-3026
B Type (100, 150mm)



Model No. | SS-3028
BD Type (100, 150mm)



Pressure Gauge

Differential Pressure Gauge & Switch

Accessories of Pressure Gauge

Thermometer & Thermometer Switch

Thermocouple & R.T.D

Thermowell

Transmitter

Indicator etc.

Technical data

Dimensions (mm)

	Model No.	Conn'n (d)	ØD	ØD1	ØD2	b	n	t	L2	h	ØC	ØH
100mm	SS-3025 & SS-3026	NPT & PT, PF 1/4	114	100	128	17	-	(66)	17	(76)	5.5	115
		NPT & PT, PF 3/8										
		NPT & PT, PF 1/2										
	SS-3027 & SS-3028	NPT & PT, PF 1/4	114	100	128	-	33	(66)	17	(26)	5.5	115
		NPT & PT, PF 3/8										
		NPT & PT, PF 1/2										
150mm	SS-3025 & SS-3026	NPT & PT, PF 1/4	168	152	188	17	-	(66)	22	(100)	5.5	173
		NPT & PT, PF 3/8										
		NPT & PT, PF 1/2										
	SS-3027 & SS-3028	NPT & PT, PF 1/4	168	152	188	-	33	(66)	22	(26)	5.5	173
		NPT & PT, PF 3/8										
		NPT & PT, PF 1/2										

*()The measurement in the blanket is approximate.

Pressure Gauge

Differential Pressure Gauge & Switch

Accessories of Pressure Gauge

Thermometer & Thermometer Switch

Thermocouple & R.T.D

Thermowell

Transmitter

Indicator etc.

Technical data

Diaphragm Seal Type Pressure Gauge

Model No. **SS-3031/4 Series**

KINS



SS-3031

Summary

This device was designed to guarantee the performance and the lifespan when measuring pressure in chemical industry even when measuring fluid is mixed with powder which has coagulation or with strong corrosiveness.

Safety Management

- Be sure to install a protecting device where exist abrupt change of pressure, vibration and pulsation.
- Do not give impact during the transportation, installation and usage.
- Be sure to install pressure gauge to be horizontal and vertical.

Purpose of Use

- Corrosive fluid such as petrochemistry, etc.
- Fluid which is mixed with dust and solid matter in the plant of cement, papers, etc.
- High temperature, high viscosity fluid, special fluid line for industrial use, etc.

Production Specification

- ▶ Diameter
 - 100 mm
- ▶ Accuracy
 - $\pm 1.0\%$ of Full Scale
- ▶ Scale Range
 - $-0.1 \text{ MPa} \sim 0, -0.1 \text{ MPa} \sim 2 \text{ MPa},$
 - $0 \sim 35 \text{ MPa}$
 - ($\times 1 \text{ MPa} = 10,19716 \text{ kgf/cm}^2$)
- ▶ Working Pressure
 - Static pressure : 75% of Full Scale
 - Fluctuating pressure : 60% of Full Scale
- ▶ Working Temperature
 - Ambient : $-20 \sim 65 \text{ }^\circ\text{C}$
 - Fluid : $-20 \sim 80 \text{ }^\circ\text{C}$

Product Specification

+ Case & Cover
· STS 304

+ Upper Flange
· STS 304, STS 316

+ Under Flange
· STS 304, STS 316

+ Connection
· STS 316
· PF, PT \leftrightarrow 1/4, 3/8, 1/2, 3/4

+ Window
· Tempered safety glass,
Laminated safety glass

+ Type
· SS-3031-Type (Direct type - Screw)
· SS-3034-Type (Flexible type - Screw)

+ Pointer
· Aluminum
· Black coating

+ Dial
· Aluminum
· White color coating
· Black gradation and characters

+ Movement
· STS 304

+ Element
· STS 304, STS 316
· C type bourdon tube

+ Diaphragm
· STS 304, STS 316
· Teflon(Lining, Coating), Titanium
· Able to produce teflon(lining, coating)titanium, tantalum, hastelloy, etc

Pressure Gauge

Differential Pressure Gauge & Switch

Accessories of Pressure Gauge

Thermometer & Thermometer Switch

Thermocouple & R.T.D

Thermowell

Transmitter

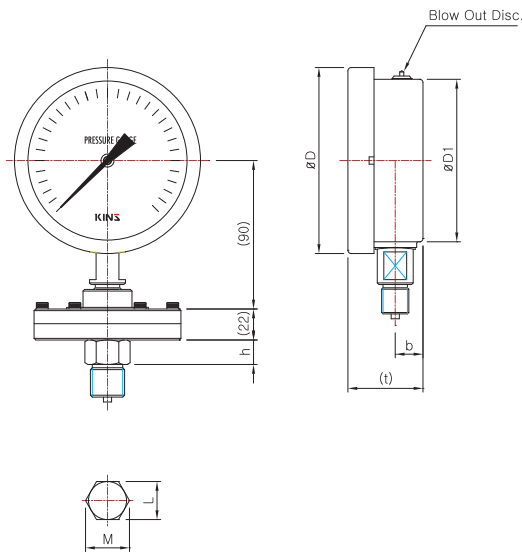
Indicator etc.

Technical data

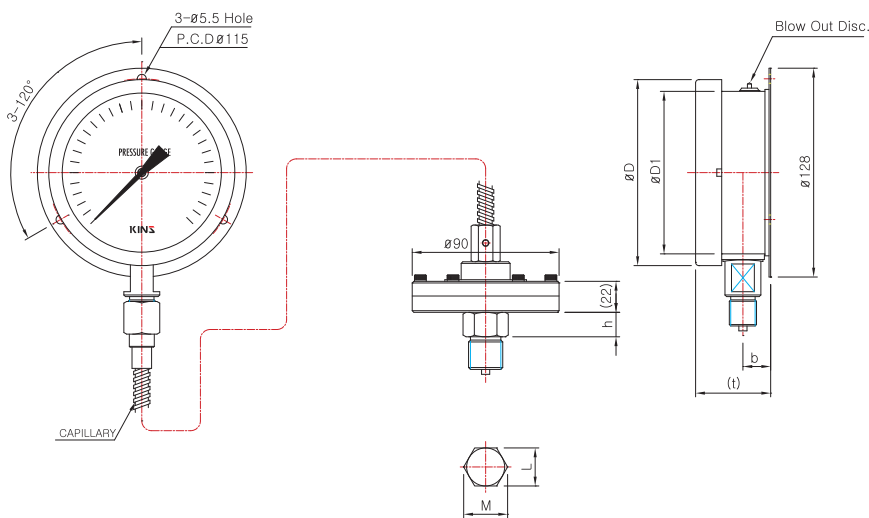
Diaphragm Seal Type Pressure Gauge

Model No. **SS-3031/4 Series**

Model No. | SS-3031 (100mm) A-Type (Rimless type), Direct Type



Model No. | SS-3035 (100mm) B-Type (Surface type), Remote Type



Dimensions (mm)

Model No.	Conn'h (d)	ØD	ØD1	b	n	t	L	M	h
SS-3031 & 3034	NPT & PT, PF 3/8	114	100	17	-	(46)	24	(27.7)	(20)
	NPT & PT, PF 1/2								

*()The measurement in the blanket is approximate.

Pressure Gauge

Differential Pressure Gauge & Switch

Accessories of Pressure Gauge

Thermometer & Thermometer Switch

Thermocouple & R.T.D

Thermowell

Transmitter

Indicator etc.

Technical data

Diaphragm Seal Type Pressure Gauge

Model No. **SS-3032/5 Series**

KINS



SS-3032

Summary

This gauge is designed to guarantee the performance and the life span when measuring pressure in chemical industry even when measuring fluid is mixed with powder which has coagulation or with strong corrosiveness.

Safety Management

- Be sure to install a protecting device where exist abrupt change of pressure, vibration and pulsation.
- Do not give impact during the transportation, installation and usage.
- Be sure to install pressure gauge to be horizontal and vertical.

Purpose of Use

- Corrosive fluid such as petrochemistry, etc.
- Fluid which is mixed with dust and solid matter in the plant of cement, papers, etc.
- High temperature, high viscosity fluid, special fluid line for industrial use, etc.

Production Specification

- ▶ Diameter
 - 100 mm
- ▶ Accuracy
 - $\pm 1.0\%$ of Full Scale
- ▶ Scale Range
 - $-0.1 \text{ MPa} \sim 0, -0.1 \text{ MPa} \sim 2 \text{ MPa},$
 - $0 \sim 10 \text{ MPa}$
 - ($\times 1 \text{ MPa} = 10,19716 \text{ kgf/cm}^2$)
- ▶ Working Pressure
 - Static pressure : 75% of Full Scale
 - Fluctuating pressure : 60% of Full Scale
- ▶ Working Temperature
 - Ambient : $-20 \sim 65 \text{ }^\circ\text{C}$
 - Fluid : $-20 \sim 80 \text{ }^\circ\text{C}$

Product Specification

+ Case & Cover
· STS 304

+ Upper Flange
· STS 304, STS 316

+ Under Flange
· STS 304, STS 316

+ Window
· Tempered safety glass,
Laminated safety glass

+ Type
· SS-3032-Type (Direct - flange)
· SS-3035-Type (Flexible - flange)

+ Pointer
· Aluminum
· Black coating

+ Dial
· Aluminum
· White color coating
· Black gradation and characters

+ Movement
· STS 304

+ Element
· STS 304, STS 316
· C type bourdon tube

+ Diaphragm
· STS 304, STS 316
· Teflon(Lining, Coating), Titanium
· Able to produce teflon(lining, coating)titanium, tantalum, hastelloy, etc

Pressure Gauge

Differential Pressure Gauge & Switch

Accessories of Pressure Gauge

Thermometer & Thermometer Switch

Thermocouple & R.T.D

Thermowell

Transmitter

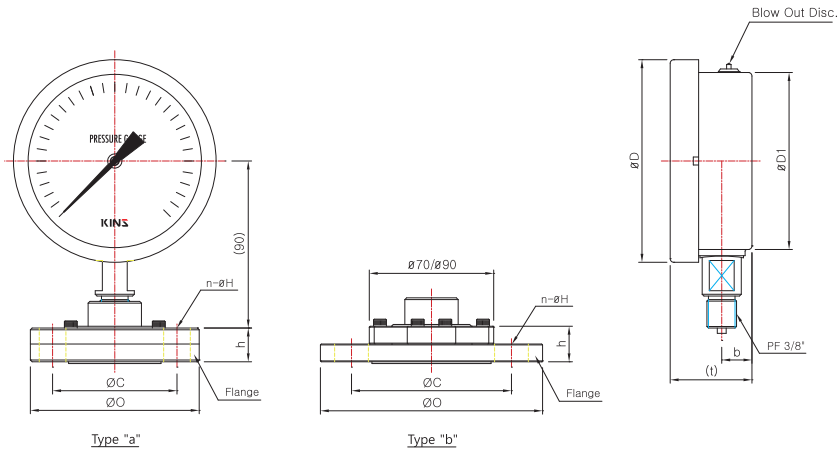
Indicator etc.

Technical data

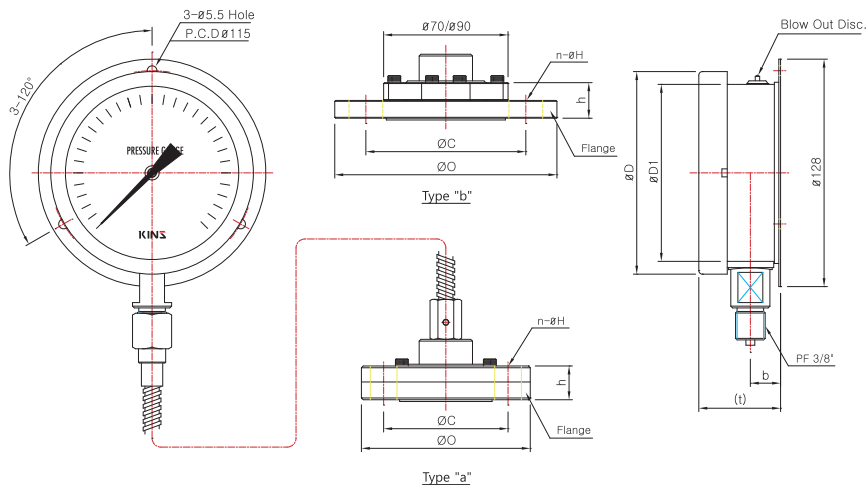
Diaphragm Seal Type Pressure Gauge

Model No. **SS-3032/5 Series**

Model No. | SS-3032 (100mm) A-Type (Rimless type), Direct Type



Model No. | SS-3035 (100mm) B-Type (Surface type), Remote Type



Dimensions (mm)

Model No.	ØD	ØD1	b	t	JIS 10kgf/cm ² (Type)	ØO	ØC	n-ØH	h	ANSI CLASS #150(Type)	ØO	ØC	n-ØH	h
SS-3032 & SS-3035	114	100	17	(46)	15A (Type "a")	95	70	4-Ø15	22	1/2B (Type "a")	89	60.3	4-Ø16	21.5
					20A (Type "b")	100	75	4-Ø15	24	3/4B (Type "a")	98	69.9	4-Ø16	23.0
					25A (Type "b")	125	90	4-Ø19	24	1B (Type "b")	108	79.4	4-Ø16	24.5
					32A (Type "b")	135	100	4-Ø19	26	1 1/4B (Type "b")	117	88.9	4-Ø16	26.0
					40A (Type "b")	140	105	4-Ø19	26	1 1/2B (Type "b")	127	98.4	4-Ø16	27.5
50A (Type "b")	155	120	4-Ø19	26	2B (Type "b")	152	120.6	4-Ø19	29.5					

*()The measurement in the blanket is approximate.

Diaphragm Seal Type Pressure Gauge

Model No. **SS-3033/6 Series**

KINS



SS-3033

Summary

This gauge is designed to guarantee the performance and the life span when measuring pressure in chemical industry even when measuring fluid is mixed with powder which has coagulation or strong corrosiveness.

Safety Management

- Be sure to install a protecting device where exist abrupt change of pressure, vibration and pulsation.
- Do not give impact during the transportation, installation and usage.
- Be sure to install pressure gauge to be horizontal and vertical.

Purpose of Use

- Corrosive fluid such as petrochemistry, etc.
- Fluid which is mixed with dust and solid matter in the plant of cement, papers, etc.
- High temperature, high viscosity fluid, special fluid line for industrial use, etc.

Production Specification

- ▶ Diameter
 - 100 mm
- ▶ Accuracy
 - $\pm 1.0\%$ of Full Scale
- ▶ Scale Range
 - $-0.1 \text{ MPa} \sim 0, -0.1 \text{ MPa} \sim 2 \text{ MPa},$
 - $0 \sim 10 \text{ MPa}$
 - ($\times 1 \text{ MPa} = 10,19716 \text{ kgf/cm}^2$)
- ▶ Working Pressure
 - Static pressure : 75% of Full Scale
 - Fluctuating pressure : 60% of Full Scale
- ▶ Working Temperature
 - Ambient : $-20 \sim 65 \text{ }^\circ\text{C}$
 - Fluid : $-20 \sim 80 \text{ }^\circ\text{C}$

Product Specification

+ Case & Cover
· STS 304

+ Upper Flange
· STS 304, STS 316

+ Under Flange
· STS 304, STS 316
· See flange standard table

+ Window
· Tempered safety glass,
Laminated safety glass

+ Type
· SS-3033-Type (Direct - flange)
· SS-3036-Type (Flexible - flange)

+ Pointer
· Aluminum
· Black coating

+ Dial
· Aluminum
· White color coating
· Black gradation and characters

+ Movement
· STS 304

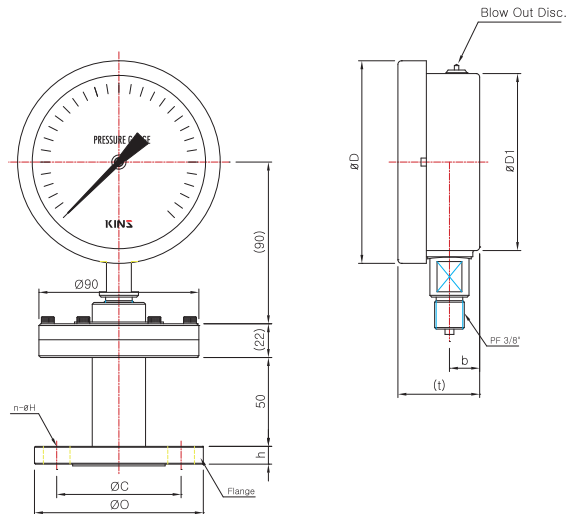
+ Element
· STS 304, STS 316
· C type bourdon tube

+ Diaphragm
· STS 304, STS 316
· Teflon(Lining, Coating), Titanium
· Able to produce teflon(lining, coating)titanium, tantalum, hastelloy, etc

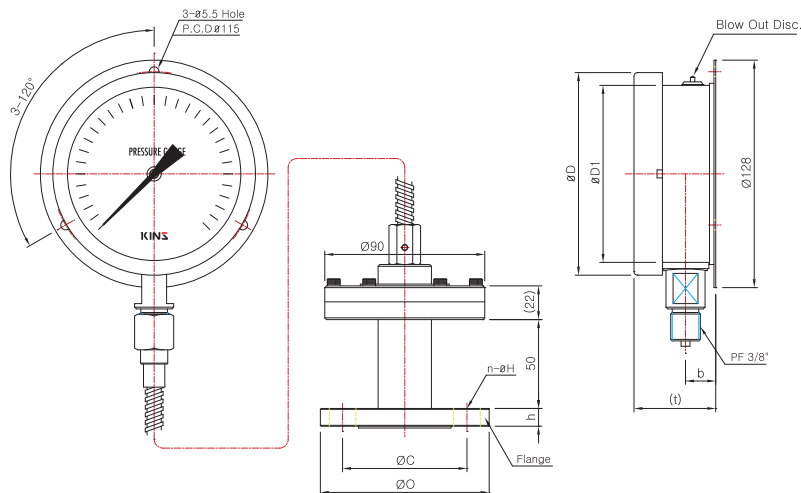
Diaphragm Seal Type Pressure Gauge

Model No. **SS-3033/6 Series**

Model No. | SS-3033 (100mm) A-Type (Rimless type), Direct Type



Model No. | SS-3036 (100mm) B-Type (Surface type), Remote Type



Dimensions (mm)

Model No.	ØD	ØD1	b	t	JIS 10kgf/cm ²	ØO	ØC	n-ØH	h	ANSI CLASS #150	ØO	ØC	n-ØH	h
SS-3033 & SS-3036	114	100	17	(46)	15A	95	70	4-Ø15	12	1/2B	89	60.3	4-Ø16	11.5
					20A	100	75	4-Ø15	14	3/4B	98	69.9	4-Ø16	13.0
					25A	125	90	4-Ø19	14	1B	108	79.4	4-Ø16	14.5
					32A	135	100	4-Ø19	16	1 1/4B	117	88.9	4-Ø16	16.0
					40A	140	105	4-Ø19	16	1 1/2B	127	98.4	4-Ø16	17.5
					50A	155	120	4-Ø19	16	2B	152	120.6	4-Ø19	19.5

*()The measurement in the blanket is approximate.

Pressure Gauge

Differential Pressure Gauge & Switch

Accessories of Pressure Gauge

Thermometer & Thermometer Switch

Thermocouple & R.T.D

Thermowell

Transmitter

Indicator, etc.

Technical data

Ring Diaphragm Type Pressure Gauge

Model No. **SS-3037 Series**

KINS



SS-3037

[Patent application] 10- 2002-0004393

Summary

This gauge is designed to measure various fluid's pressure flowing in a pipe effectively and accurately. It also has corrosive resistance and heat resistance. We complemented the imported goods' disadvantages. Therefore, it does not get affected by the direction of the installation and we can move it as we want to after the installation.

Safety Management

- Be sure to install a protecting device where exist abrupt change of pressure, vibration and pulsation.
- Do not give impact during the transportation, installation and usage.
- Be sure to install pressure gauge to be horizontal and vertical.

Purpose of Use

- Oil pressure line
- Chemical industry, power plant
- Sanitary
- Waste water treatment line, pulp and paper line, etc.

Production Specification

- ▶ **Diameter**
 - 100 mm, 150 mm
- ▶ **Accuracy**
 - $\pm 1.0\%$ of Full Scale
- ▶ **Scale Range**
 - $-0.1 \text{ MPa} \sim 0$, $-0.1 \text{ MPa} \sim 2 \text{ MPa}$, $0 \sim 2 \text{ MPa}$
 - (※ $1 \text{ MPa} = 10.19716 \text{ kgf/cm}^2$)
- ▶ **Working Pressure**
 - Static pressure : 75% of Full Scale
 - Fluctuating pressure : 60% of Full Scale
- ▶ **Working Temperature**
 - Ambient : $-5 \sim 40 \text{ }^\circ\text{C}$
 - Fluid : $-10 \sim 60 \text{ }^\circ\text{C}$

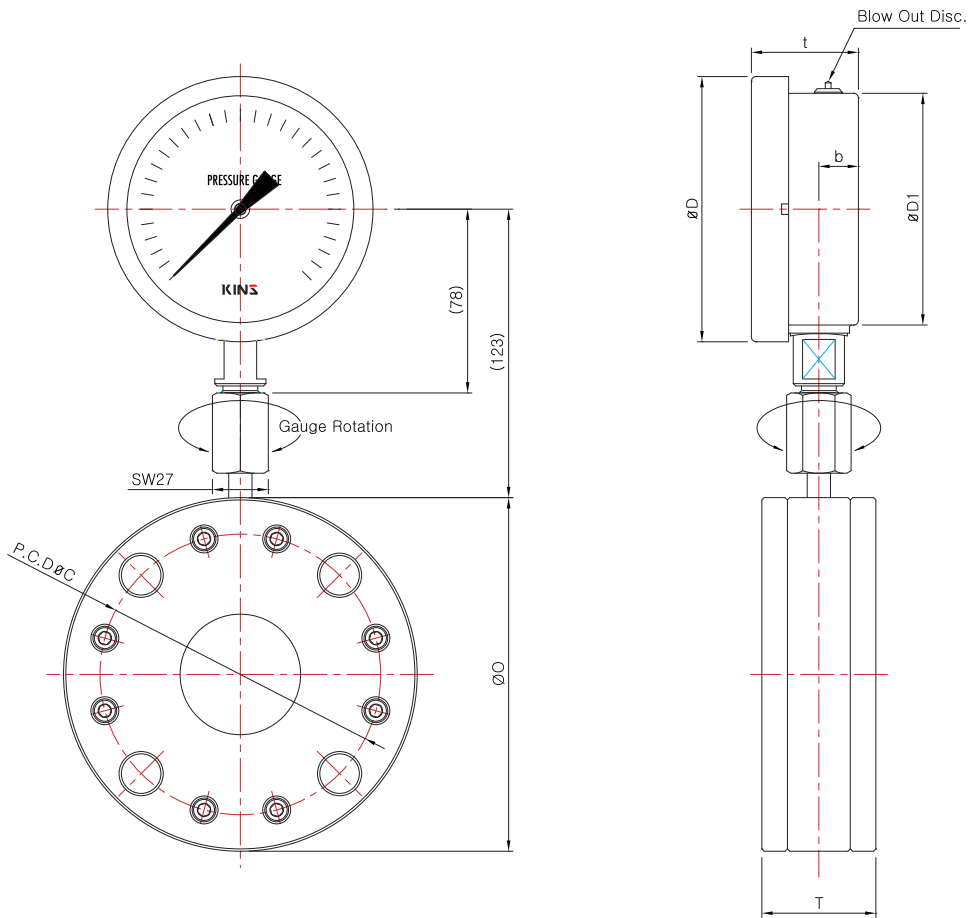
Product Specification

+ Case & Cover · STS 304	+ Pointer · Aluminum · Black coating	+ Element · STS 304 · C type bourdon tube
+ Body Flange · STS 304, STS 316	+ Dial · Aluminum · White color coating · Black gradation and characters	+ Diaphragm · Viton
+ Side Flange · STS 304, STS 316, C-PVC		
+ Window · Tempered safety glass, Laminated safety glass	+ Movement · STS 304	

Ring Diaphragm Type Pressure Gauge

Model No. **SS-3037 Series**

Model No. | **SS-3037 (100mm)**
A-Type (Rimless type)



Dimensions (mm)

Model No.	ØD	ØD1	b	ANSI CLASS #150	ØO	P.C.D ØC	t (STS304, STS316)	t (CPVC)
SS-3037	114	100	17	1B	108	79.4	49	54
				1 1/2B	127	98.4		
				2B	152	120.6		
				2 1/2B	178	139.7		
				3B	191	152.4		
				4B	229	190.5		
				5B	254	215.9		
				6B	279	241.3		
8B	343	298						

*()The measurement in the blanket is approximate.

Pressure Gauge

Differential Pressure Gauge & Switch

Accessories of Pressure Gauge

Thermometer & Thermometer Switch

Thermocouple & R.T.D

Thermowell

Transmitter

Indicator etc.

Technical data

Diaphragm Seal Pressure Gauge (for High Temp.)

Model No. **SS-3040 Series**

KINS



SS-3043/3044

Summary

This gauge is designed to be suitable in measuring high viscosity fluid pressure with room temperature and pressure measurement of an element which has high temperature melting condition.

Safety Management

- Do not give impact during the transportation, installation and usage.
- Be sure to install pressure gauge to be horizontal and vertical.
- Use material of high temperature (0~330℃) and corrosive resistance.

Purpose of Use

- Fluid of high viscosity, high temperature and high pressure.
- Injection Machine
- Chemical industry, etc.

Production Specification

- ▶ **Diameter**
 - 100, 150 mm
- ▶ **Accuracy**
 - ±1.0% of Full Scale
- ▶ **Scale Range**
 - 5 ~ 70 MPa
 - (※ 1 MPa = 10,19716 kgf/cm²)
- ▶ **Working Pressure**
 - Static pressure : 75% of Full Scale
 - Fluctuating pressure : 60% of Full Scale
- ▶ **Working Temperature**
 - Ambient : - 20 ~ 330 ℃
 - Fluid : - 20 ~ 330 ℃

Product Specification

- + **Case & Cover**
 - STS 304
 - Slip-on-Fit

- + **Connection**
 - PF ↔ 3/4, 1"

- + **Window**
 - Tempered safety glass,
 - Laminated safety glass

- + **Type**
 - 3043-Type (Direct type 18mm)
 - 3044-Type (Direct type 23.6mm)
 - 3047-Type (Flexible type 18mm)
 - 3048-Type (Flexible type 23.6mm)

- + **Pointer**
 - Aluminum
 - Black coating

- + **Dial**
 - Aluminum
 - White color coating
 - Black gradation and characters

- + **Movement**
 - STS 304

- + **Mounting Bolt**
 - SM45C(Heat treatment)

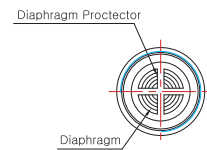
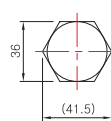
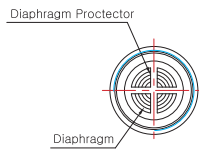
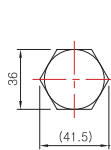
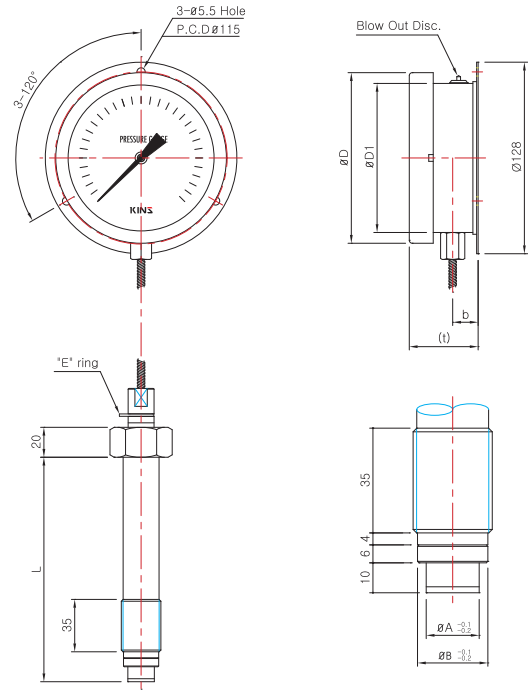
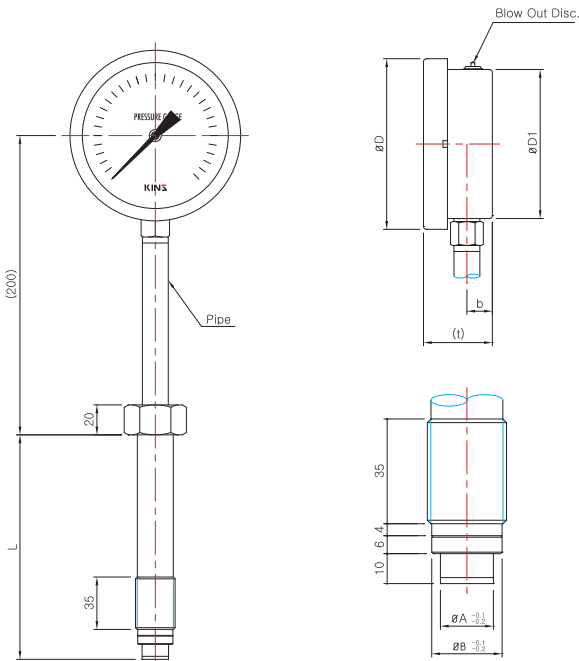
- + **Diaphragm**
 - STS 316

Diaphragm Seal Pressure Gauge (for High Temp.)

Model No. **SS-3040 Series**

Model No. | **SS-3043/3044 (100mm)**
A-Type (Rimless type), Direct Type

Model No. | **SS-3047/3048 (100mm)**
B-Type (Surface type), Remote Type



Dimensions (mm)

Model No.	Conn'n (d)	ØD	ØD1	b	t	ØA	ØB	L	Capillary Length
SS-3043	PF 3/4"	114	100	17	(46)	18	24	80, 150, 300	1M ~ 5M
SS-3044	PF 1"					23,6	30		
SS-3047	PF 3/4"					18	24		
SS-3048	PF 1"					23,6	30		

*()The measurement in the blanket is approximate.

Pressure Gauge

Differential Pressure Gauge & Switch

Accessories of Pressure Gauge

Thermometer & Thermometer Switch

Thermocouple & R.T.D

Thermowell

Transmitter

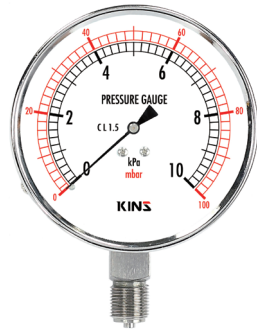
Indicator, etc.

Technical data

General Low Pressure Gauge

Model No. **SS-3050 Series**

KINS



SS-3051

Summary

This gauge is specially designed to measure low pressure which cannot be measured by a bourdon pipe pressure gauge. This gauge uses a specially designed chamber as the element.

Safety Management

- Be sure to install a protecting device where exist abrupt change of pressure, vibration and pulsation.
- Do not give impact during the transportation, installation and usage.
- Be sure to install pressure gauge to be horizontal and vertical.

Purpose of Use

- Measurement of micro pressure for various uses
- Measuring by converting liquid level inside various tanks to pressure.
- Measurement of pressure of various gas pipes arrangement.

Production Specification

- ▶ Diameter
 - 75, 100 mm
- ▶ Accuracy
 - $\pm 1.5\%$ of Full Scale
- ▶ Working Pressure
 - Static pressure : 75% of Full Scale
 - Fluctuating pressure : 60% of Full Scale
- ▶ Working Temperature
 - Ambient : $-20 \sim 65$ °C
 - Fluid : $-20 \sim 80$ °C

▶ Range

75mm	- 5 kPa ~ + 50 kPa
100mm	- 5+5 kPa ~ - 50+50 kPa
	5 kPa ~ 50 kPa

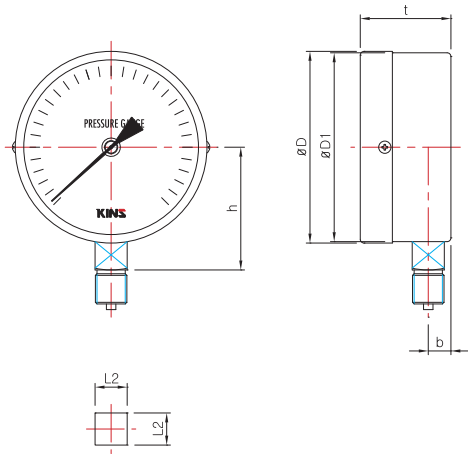
Product Specification

- | | | |
|---|---|--|
| <ul style="list-style-type: none"> + Case <ul style="list-style-type: none"> · SS-3051, 3052 Steel(SPCD) <ul style="list-style-type: none"> ▶ Cr-Plating · SS-3053, 3054 STS 304 + Cover <ul style="list-style-type: none"> · SS-3051, 3052 Steel(SPCD) <ul style="list-style-type: none"> ▶ Cr-Plating · SS-3053, 3054 STS 304 + Connection <ul style="list-style-type: none"> · Brass(C3604BE) . STS 304 · PF, PT ↔ 1/4, 3/8, 1/2 | <ul style="list-style-type: none"> + Window <ul style="list-style-type: none"> · General glass + Type <ul style="list-style-type: none"> · A-Type (Rimless type) + Pointer <ul style="list-style-type: none"> · Aluminum · Black coating + Dial <ul style="list-style-type: none"> · Aluminum · White color coating · black (kPa), red (mbar) gradation and characters | <ul style="list-style-type: none"> + Movement <ul style="list-style-type: none"> · Brass + Element <ul style="list-style-type: none"> · Phosphor Bronze + Option <ul style="list-style-type: none"> · Accessories |
|---|---|--|

General Low Pressure Gauge

Model No. **SS-3050 Series**

Model No. | **SS-3051**
A Type (75, 100mm)



Pressure Gauge

Differential Pressure Gauge & Switch

Accessories of Pressure Gauge

Thermometer & Thermometer Switch

Thermocouple & R.T.D

Thermowell

Transmitter

Indicator, etc.

Technical data

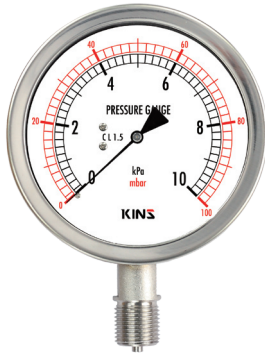
Dimensions (mm)

	Model No.	Conn'n (d)	ØD	ØD1	ØD2	b	n	t	L2	h	ØC	ØH
75mm	SS-3051	NPT & PT, PF 1/4	78	76.5	100	13	-	(50)	17	(50)	4.5	88
		NPT & PT, PF 3/8										
100mm	SS-3051	NPT & PT, PF 1/4	101.5	100	128	12	-	(48)	17	(65)	5.5	115
		NPT & PT, PF 3/8										

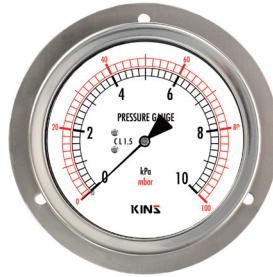
*()The measurement in the blanket is approximate.

Special Low Pressure Gauge

Model No. **SS-3050S Series**



SS-3051S



SS-3054S

Summary

This gauge is specially designed to measure low pressure which cannot be measured by a bourdon pipe pressure gauge. This gauge uses a specially designed chamber as the element.

Safety Management

- Be sure to install a protecting device where exist abrupt change of pressure, vibration and pulsation.
- Do not give impact during the transportation, installation and usage.
- Be sure to install pressure gauge to be horizontal and vertical.

Purpose of Use

- Measurement of micro pressure which is for various uses
- Measuring by converting liquid level inside various tanks to pressure
- Measurement of pressure of various gas pipes arrangement

Production Specification

- ▶ Diameter
 - 75, 100, 150 mm
- ▶ Accuracy
 - $\pm 1.5\%$ of Full Scale
- ▶ Working Pressure
 - Static pressure : 75% of Full Scale
 - Fluctuating pressure : 60% of Full Scale
- ▶ Working Temperature
 - Ambient : $-20 \sim 65$ °C
 - Fluid : $-20 \sim 80$ °C
- ▶ Degree of Protection
 - IP65

▶ Range

	- 5 kPa ~ - 50 kPa
75mm	- 5+5 kPa ~ - 50+50 kPa 5 kPa ~ 50 kPa
100mm	- 2 kPa ~ - 100 kPa
150mm	- 1+1 kPa ~ - 50+50 kPa 2 kPa ~ 100 kPa

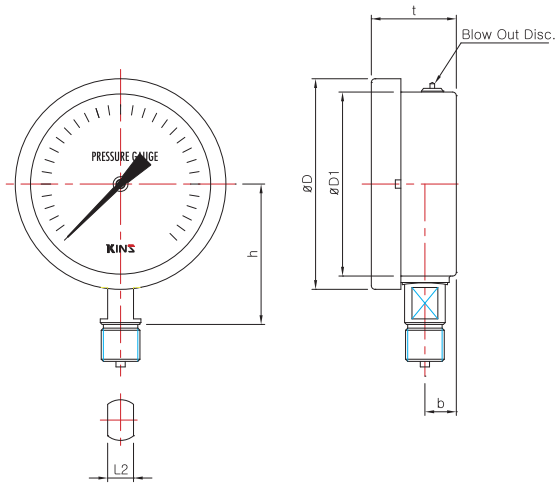
Product Specification

- | | | |
|--|--|---|
| <ul style="list-style-type: none"> + Case <ul style="list-style-type: none"> · STS 304 + Cover <ul style="list-style-type: none"> · STS 304 · Slip-on-Fit + Connection <ul style="list-style-type: none"> · STS 316 · PF, PT, NPT ↔ 1/4, 3/8, 1/2 + Window <ul style="list-style-type: none"> · Tempered safety glass, · Laminated safety glass | <ul style="list-style-type: none"> + Type <ul style="list-style-type: none"> · A-Type (Rimless type) · B-Type (Surface type) · D-Type (Flush mounting type) · BD-Type (Panel attachment type) + Pointer <ul style="list-style-type: none"> · Aluminum · Black coating + Dial <ul style="list-style-type: none"> · Aluminum · White color coating · black (kPa), red (mbar) gradation and characters | <ul style="list-style-type: none"> + Movement <ul style="list-style-type: none"> · Brass + Element <ul style="list-style-type: none"> · STS 304, STS 316 + Option <ul style="list-style-type: none"> · Accessories |
|--|--|---|

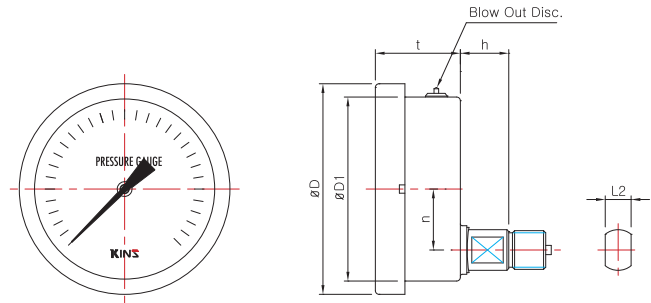
Special Low Pressure Gauge

Model No. **SS-3050S Series**

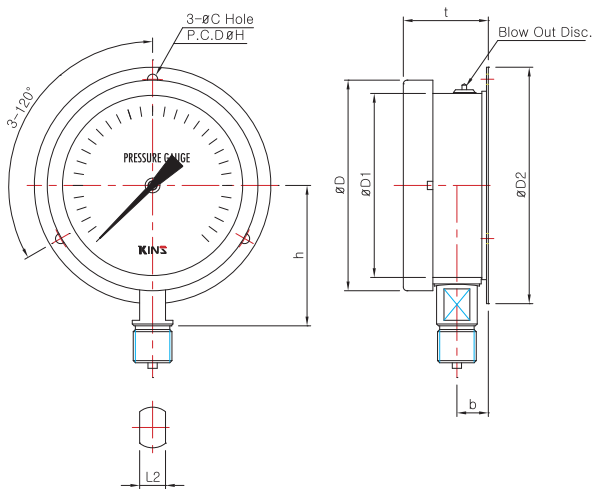
Model No. | **SS-3051S**
A Type (75, 100, 150mm)



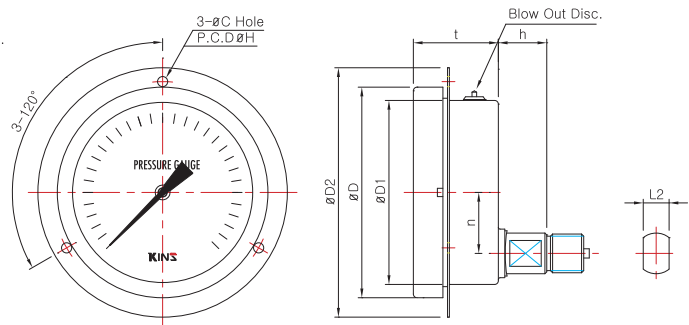
Model No. | **SS-3053S**
D Type (75, 100, 150mm)



Model No. | **SS-3052S**
B Type (75, 100, 150mm)



Model No. | **SS-3054S**
BD Type (75, 100, 150mm)



Pressure Gauge

Differential Pressure Gauge & Switch

Accessories of Pressure Gauge

Thermometer & Thermometer Switch

Thermocouple & R.T.D

Thermowell

Transmitter

Indicator etc.

Technical data

Dimensions (mm)

	Model No.	Conn'n (d)	ØD	ØD1	ØD2	b	n	t	L2	h	ØC	ØH
75mm	SS-3051S & SS-3052S	NPT & PT, PF 1/4	87	77	100	13	-	(40)	14	(58)	4.5	88
		NPT & PT, PF 3/8										
	SS-3053S & SS-3054S	NPT & PT, PF 1/4	87	77	107	-	22	(40)	14	(20)	4.5	97
		NPT & PT, PF 3/8										
100mm	SS-3051S & SS-3052S	NPT & PT, PF 1/4	114	100	128	13	-	(46)	17	(75)	5.5	115
		NPT & PT, PF 3/8										
		NPT & PT, PF 1/2										
	SS-3053S & SS-3054S	NPT & PT, PF 1/4	114	100	135	-	33	(46)	17	(25)	5.5	120
		NPT & PT, PF 3/8										
		NPT & PT, PF 1/2										
150mm	SS-3051S & SS-3052S	NPT & PT, PF 1/4	168	152	188	17	-	(50)	17	(100)	5.5	173
		NPT & PT, PF 3/8										
		NPT & PT, PF 1/2										
	SS-3053S & SS-3054S	NPT & PT, PF 1/4	168	152	188	-	33	(50)	17	(25)	5.5	173
		NPT & PT, PF 3/8										
		NPT & PT, PF 1/2										

*()The measurement in the blanket is approximate.

Pressure Gauge

Differential Pressure Gauge & Switch

Accessories of Pressure Gauge

Thermometer & Thermometer Switch

Thermocouple & R.T.D

Thermowell

Transmitter

Indicator etc.

Technical data

Diaphragm Type Low Pressure Gauge

Model No. **SS-3055 Series**

KINS



SS-3055

Summary

This gauge is designed to guarantee the performance and the lifespan of the equipment which measures low temperature in case measuring fluid mixed with powder that has coagulation in pressure measurement in chemical industry or with high corrosiveness.

Safety Management

- Be sure to install a protecting device where exist abrupt change of pressure, vibration and pulsation.
- Do not give impact during the transportation, installation and usage.
- Be sure to install pressure gauge to be horizontal and vertical.
- Do not disassemble the measuring device at your discretion

Purpose of Use

- Measuring of Slurry micro pressure in terminal disposal plant of sewage
- Measuring of liquidity gas micro pressure in incinerator
- For measuring micro pressure in hard condition where measuring cannot be done by other measurement devices due to other unfavorable conditions.

Production Specification

- ▶ **Diameter**
 - 100, 150 mm
- ▶ **Accuracy**
 - $\pm 1.5\%$ of Full Scale
- ▶ **Scale Range**
 - $-2 \text{ kPa} \sim 0, -1 + 1 \text{ kPa} \sim -20 + 20 \text{ kPa}$,
 - $0 \sim 35 \text{ kPa}$
 - ($\approx 1 \text{ kPa} = 101.9716 \text{ mmH}_2\text{O}$)
- ▶ **Working Pressure**
 - Static pressure : 75% of Full Scale
 - Fluctuating pressure : 60% of Full Scale
- ▶ **Working Temperature**
 - Ambient : $-20 \sim 80 \text{ }^\circ\text{C}$
 - Fluid : $-20 \sim 80 \text{ }^\circ\text{C}$

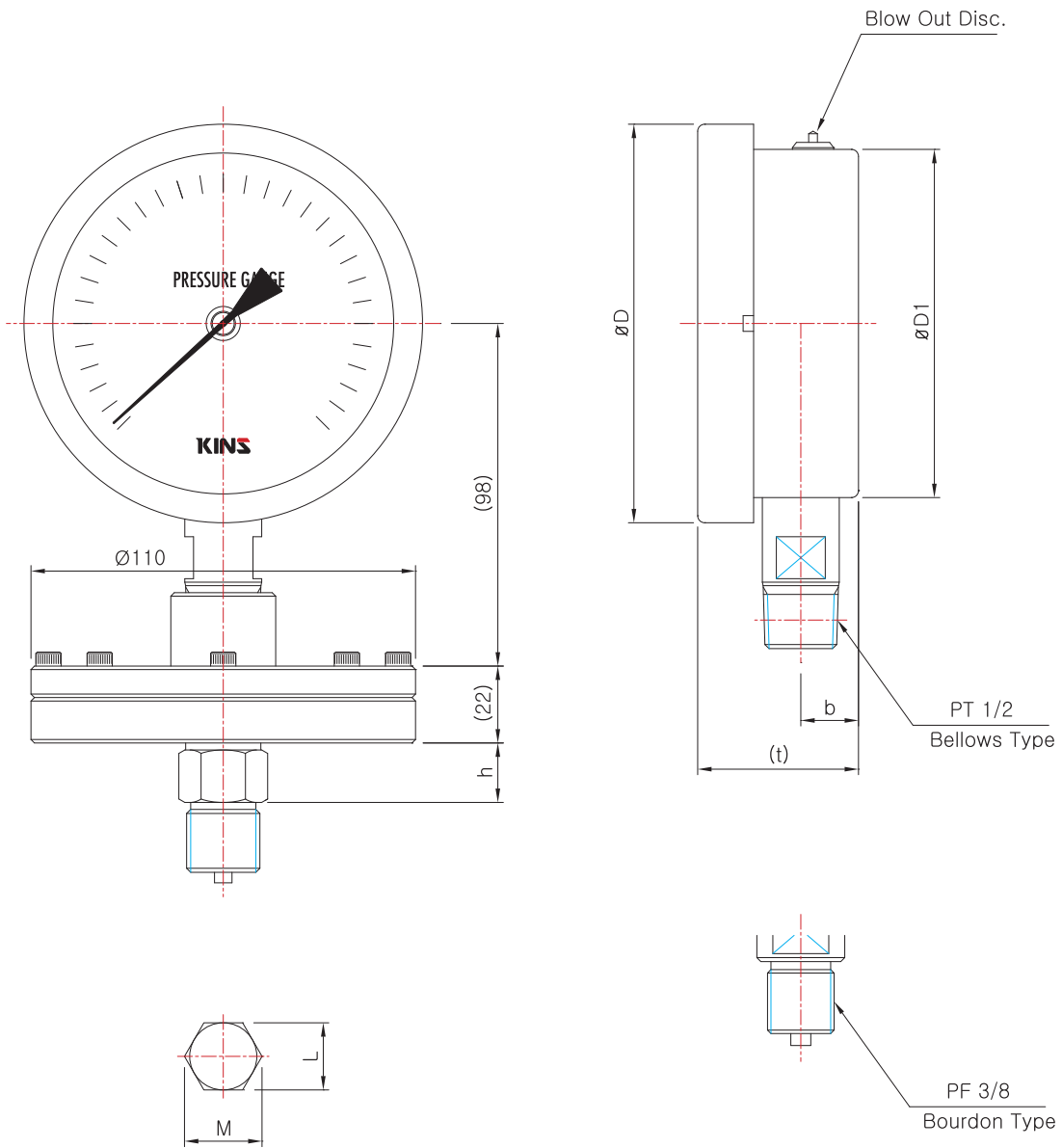
Product Specification

<ul style="list-style-type: none"> + Case & Cover <ul style="list-style-type: none"> · STS 304 + Upper Flange <ul style="list-style-type: none"> · STS 304, STS 316 + Under Flange <ul style="list-style-type: none"> · STS 304, STS 316 + Connection <ul style="list-style-type: none"> · STS 316 · PF, PT \leftrightarrow 3/8, 1/2 	<ul style="list-style-type: none"> + Window <ul style="list-style-type: none"> · Tempered safety glass, · Laminated safety glass + Type <ul style="list-style-type: none"> · SS-3031-Type (Direct type - Screw) + Pointer <ul style="list-style-type: none"> · Aluminum · Black coating + Dial <ul style="list-style-type: none"> · Aluminum · White color coating · black (kPa), red (mbar) gradation and characters 	<ul style="list-style-type: none"> + Movement <ul style="list-style-type: none"> · Brass + Diaphragm <ul style="list-style-type: none"> · STS 304, STS 316 · Teflon(Lining, Coating), Titanium · Able to produce teflon(lining, coating)titanium, tantalum, hastelloy, etc
--	---	--

Diaphragm Type Low Pressure Gauge

Model No. **SS-3055 Series**

Model No. | **SS-3055 (100mm)**
A-Type (Rimless type), Direct Type



Dimensions (mm)

Model No.	Conn'n (d)	ØD	ØD1	b	n	t	L	M	h
SS-3055	NPT & PT, PF 3/8	114	100	17	-	(46)	22	(25.4)	(20)
	NPT & PT, PF 1/2								

*()The measurement in the blanket is approximate.

Pressure Gauge

Differential Pressure Gauge & Switch

Accessories of Pressure Gauge

Thermometer & Thermometer Switch

Thermocouple & R.T.D

Thermowell

Transmitter

Indicator etc.

Technical data

Diaphragm Type Low Pressure Gauge

Model No. **SS-3056 Series**

KINS



SS-3056 100mm

Summary

This gauge is designed to guarantee the performance and the life span of the equipment which measures low temperature in case when measuring fluid mixed with powder that has coagulation in pressure measurement in chemical industry or with high corrosiveness.

Safety Management

- Be sure to install a protecting device where exist abrupt change of pressure, vibration and pulsation.
- Do not give impact during the transportation, installation and usage.
- Be sure to install pressure gauge to be horizontal and vertical.
- Do not disassemble the measuring device at your discretion.

Purpose of Use

- Measuring of Slurry micro pressure in terminal disposal plant of sewage
- Measuring of liquidity gas micro pressure in incinerator
- For measuring micro pressure in hard condition where measuring cannot be done by other measurement devices due to other unfavorable conditions.

Production Specification

- ▶ **Diameter**
 - 100, 150 mm
- ▶ **Accuracy**
 - $\pm 1.5\%$ of Full Scale
- ▶ **Scale Range**
 - $-2 \text{ kPa} \sim 0, -1 + 1 \text{ kPa} \sim -20 + 20 \text{ kPa},$
 - $0 \sim 35 \text{ kPa}$
 - ($\times 1 \text{ kPa} = 101.9716 \text{ mmH}_2\text{O}$)
- ▶ **Working Pressure**
 - Static pressure : 75% of Full Scale
 - Fluctuating pressure : 60% of Full Scale
- ▶ **Working Temperature**
 - Ambient : $-20 \sim 80 \text{ }^\circ\text{C}$
 - Fluid : $-20 \sim 80 \text{ }^\circ\text{C}$

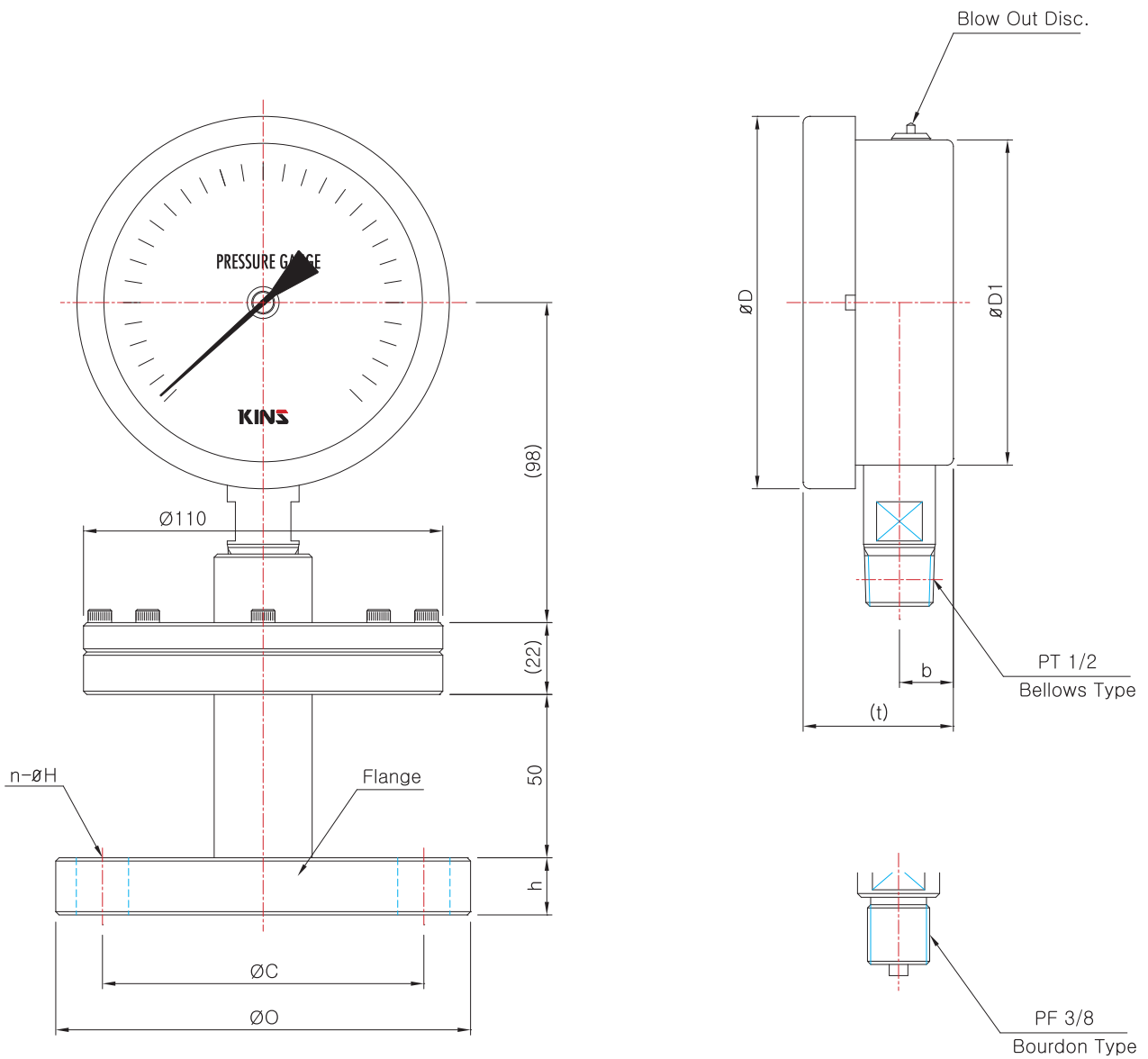
Product Specification

<ul style="list-style-type: none"> + Case & Cover <ul style="list-style-type: none"> · STS 304 + Upper Flange <ul style="list-style-type: none"> · STS 304, STS 316 + Under Flange <ul style="list-style-type: none"> · STS 304, STS 316 + Connection <ul style="list-style-type: none"> · STS 316 · See flange standard table 	<ul style="list-style-type: none"> + Window <ul style="list-style-type: none"> · Tempered safety glass, Laminated safety glass + Type <ul style="list-style-type: none"> · SS-3056-Type (Direct-flange type) + Pointer <ul style="list-style-type: none"> · Aluminum · Black coating + Dial <ul style="list-style-type: none"> · Aluminum · White color coating · black (kPa), red (mbar) gradation and characters 	<ul style="list-style-type: none"> + Movement <ul style="list-style-type: none"> · Brass + Diaphragm <ul style="list-style-type: none"> · STS 304, STS 316 · Teflon(Lining, Coating), Titanium · Able to produce teflon(lining, coating)titanium, tantalum, hastelloy, etc
---	---	--

Diaphragm Type Low Pressure Gauge

Model No. **SS-3056 Series**

Model No. | **SS-3056 (100mm)**
A-Type (Rimless type), Direct Type



Dimensions (mm)

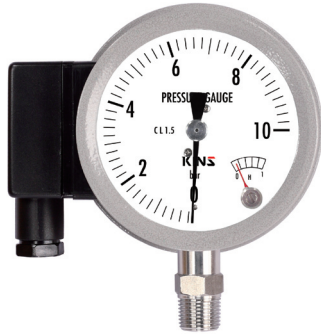
Model No.	ØD	ØD1	b	t	JIS 10kgf/cm ²	ØO	ØC	n-ØH	h	ANSI CLASS #150	ØO	ØC	n-ØH	h
SS-3056	114	100	17	(46)	15A	95	70	4-Ø15	12	1/2B	89	60.3	4-Ø16	11.5
					20A	100	75	4-Ø15	14	3/4B	98	69.9	4-Ø16	13.0
					25A	125	90	4-Ø19	14	1B	108	79.4	4-Ø16	14.5
					32A	135	100	4-Ø19	16	1 1/4B	117	88.9	4-Ø16	16.0
					40A	140	105	4-Ø19	16	1 1/2B	127	98.4	4-Ø16	17.5
					50A	155	120	4-Ø19	16	2B	152	120.6	4-Ø19	19.5

*()The measurement in the blanket is approximate.

Pressure Gauge (with Micro Contact)

Model No. **SS-3060 Series**

KINS



SS-3062 100mm

Summary

This equipment is a contact pressure gauge which has a micro switch inside the equipment. It produces an electric signal of ON, OFF by working the switch. It shows the information by sending electric signal to buzzer, bell, pilot lamp, etc.

Safety Management

- Be sure to install a protecting device where exist abrupt change of pressure, vibration and pulsation.
- Do not give impact during the transportation, installation and usage.
- Be sure to install pressure gauge to be horizontal and vertical.

Purpose of Use

- Various pressure control, information system
- Oil pressure press
- Special fluid line for industrial use, etc.

Production Specification

- ▶ Diameter
 - 100 mm
- ▶ Accuracy
 - Grade : $\pm 1.5\%$ of Full Scale
 - Dead Band : $\pm 4.0\%$ of Full Scale
- ▶ Scale Range
 - - 0.1 MPa ~ 2 MPa,
 - - 0.1 MPa ~ 0 MPa, 0 ~ 35 MPa
 - ($\times 1 \text{ MPa} = 10.19716 \text{ kgf/cm}^2$)
- ▶ Working Pressure
 - Static pressure : 75% of Full Scale
 - Fluctuating pressure : 60% of Full Scale
- ▶ Working Temperature
 - Ambient : $-20 \sim 65 \text{ }^\circ\text{C}$
 - Fluid : $-20 \sim 80 \text{ }^\circ\text{C}$

Product Specification

- | | | |
|--|--|--|
| <ul style="list-style-type: none"> + Case <ul style="list-style-type: none"> · Aluminum(Hammer tone coating) + Cover <ul style="list-style-type: none"> · Aluminum(Hammer tone coating) + Connection <ul style="list-style-type: none"> · STS 316 · PF, PT, NPT ↔ 3/8, 1/2 + Window <ul style="list-style-type: none"> · Tempered safety glass, · Laminated safety glass + Type <ul style="list-style-type: none"> · B-Type (Surface type) · BD-Type (Panel attachment type) | <ul style="list-style-type: none"> + Pointer <ul style="list-style-type: none"> · Aluminum · Black coating + Dial <ul style="list-style-type: none"> · Aluminum · White color coating · Black gradation and characters + Contact rating <ul style="list-style-type: none"> · AC 125V 5A / 250V 3A · DC 30V 4A / 125V 0.4A / 250V 0.2A + Element <ul style="list-style-type: none"> · STS 304, STS 316 · C type bourdon tube | <ul style="list-style-type: none"> + Movement <ul style="list-style-type: none"> · STS 304 + Contact Form <ul style="list-style-type: none"> · Micro Contact Type · SPDT * 1, SPDT * 2, DPDT * 1 (High, Low, High & High High & Low, Low & Low) + Option <ul style="list-style-type: none"> · Bracket · Accessories |
|--|--|--|

Pressure Gauge (with Micro Contact)

Model No. SS-3060 Series

Pressure Gauge

Differential Pressure Gauge & Switch

Accessories of Pressure Gauge

Thermometer & Thermometer Switch

Thermocouple & R.T.D

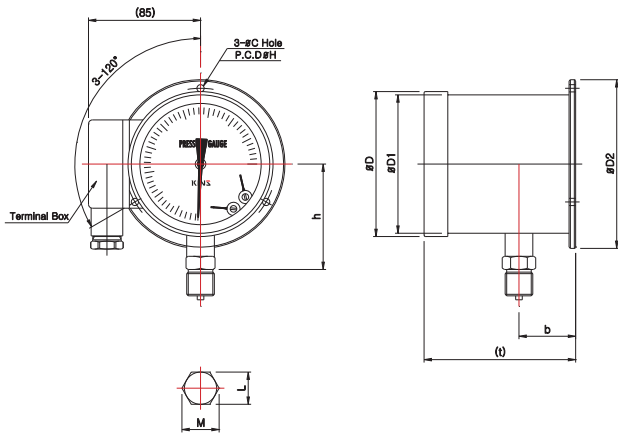
Thermowell

Transmitter

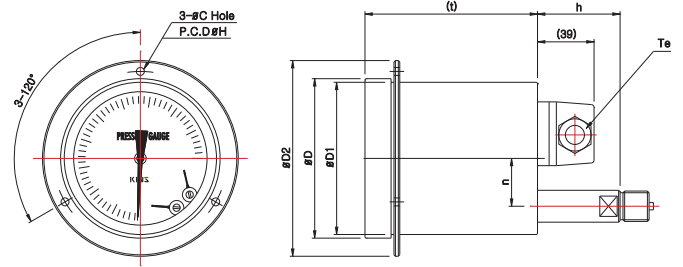
Indicator, etc.

Technical data

Model No. | SS-3062 (100mm)
B-Type (Surface type / Bottom connection)



Model No. | SS-3064 (100mm)
B-Type (Surface type / Lower back connection)



Dimensions (mm)

	Model No.	Conn'n (d)	ØD	ØD1	ØD2	b	n	t	L2	M	h	ØC	ØH
100mm	SS-3062	NPT & PT, PF 3/8	110	105	128	43	-	(115)	22	25.4	(80)	5.5	115
		NPT & PT, PF 1/2											
	SS-3064	NPT & PT, PF 3/8	110	105	135	-	33	(115)	17	-	(57)	5.5	120
		NPT & PT, PF 1/2											
150mm	SS-3062	NPT & PT, PF 3/8	170	156	190	43	-	(115)	22	25.4	(128)	5.5	174
		NPT & PT, PF 1/2											
	SS-3064	NPT & PT, PF 3/8	170	156	200	-	33	(115)	17	-	(57)	5.5	185
		NPT & PT, PF 1/2											

*()The measurement in the blanket is approximate.

Pressure Gauge (with Electric Contact)

Model No. **SS-3065~6 Series**

KINS



SS-3065 100mm

Summary

This gauge has a contact device in the indicator. Not only indicating the pressure but also it is able to control and report by sending an electric message from the built-in contact device where the pressure was set up beforehand

Safety Management

- Be sure to install a protecting device where exist abrupt change of pressure, vibration and pulsation.
- Do not give impact during the transportation, installation and usage.
- Be sure to install pressure gauge to be horizontal and vertical.

Purpose of Use

- Various pressure control, information system
- Oil pressure press
- Special fluid line for industrial use, etc.

Production Specification

- ▶ **Diameter**
 - 100 mm
- ▶ **Accuracy**
 - $\pm 1.0\%$ of Full Scale
- ▶ **Scale Range**
 - - 0.1 MPa ~ 0, - 0.1 MPa ~ 2 MPa, 0 ~ 100 MPa
 - (※ 1 MPa = 10,19716 kgf/cm²)
- ▶ **Working Pressure**
 - Static pressure : 75% of Full Scale
 - Fluctuating pressure : 60% of Full Scale
- ▶ **Working Temperature**
 - Ambient : - 20 ~ 65 °C
 - Fluid : - 20 ~ 80 °C

Product Specification

- | | | |
|--|--|--|
| <ul style="list-style-type: none"> + Case <ul style="list-style-type: none"> · STS 304 + Cover <ul style="list-style-type: none"> · STS 304 · Slip-on-Fit + Connection <ul style="list-style-type: none"> · STS 316 · PF, PT, NPT ↔ 1/4, 3/8, 1/2 + Window <ul style="list-style-type: none"> · Tempered safety glass, Laminated safety glass + Type <ul style="list-style-type: none"> · A-Type (Rimless type) · B-Type (Surface type) · D-Type (Flush mounting type) · BD-Type (Panel attachment type) | <ul style="list-style-type: none"> + Pointer <ul style="list-style-type: none"> · Phosphor bronze · Black coating Contact indicator High ↔ red Contact indicator Low ↔ Green + Dial <ul style="list-style-type: none"> · Aluminum · White color coating · Black (MPa), red (bar) gradations and characters + Contact rating <ul style="list-style-type: none"> · AC 125V 1.0A / 250V 0.7A + Element <ul style="list-style-type: none"> · STS 304, STS 316 · C type bourdon tube, helical type bourdon tube | <ul style="list-style-type: none"> + Movement <ul style="list-style-type: none"> · STS 304 + Contact Form <ul style="list-style-type: none"> · SPST * 1, SPST * 2 · High, low 2 contact(High or Low, High & High High & Low, Low & Low) + Option <ul style="list-style-type: none"> · Bracket · Throttles · Accessories |
|--|--|--|

Pressure Gauge (with Electric Contact)

Model No. SS-3065~6 Series

Pressure Gauge

Differential Pressure Gauge & Switch

Accessories of Pressure Gauge

Thermometer & Thermometer Switch

Thermocouple & R.T.D

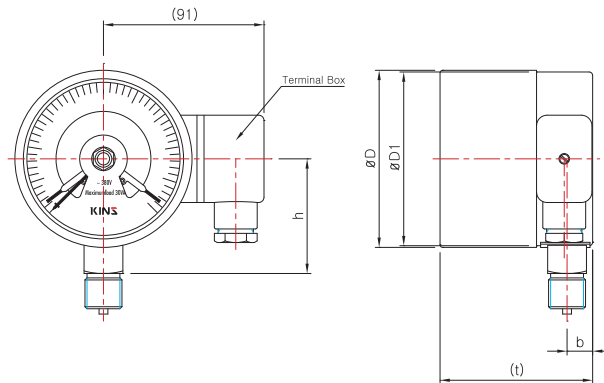
Thermowell

Transmitter

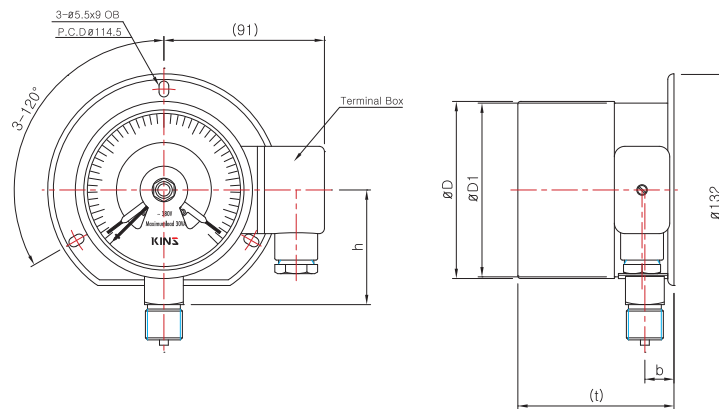
Indicator etc.

Technical data

Model No. | SS-3065 (100mm) A-Type (Rimless type)



Model No. | SS-3066 (100mm) B-Type (Surface type)



Dimensions (mm)

	Model No.	Conn'n (d)	øD	øD1	b	n	t	L2	h
100mm	SS-3065	NPT & PT, PF 1/4	100.5	98.7	15	-	(86.5)	22	(65)
		NPT & PT, PF 3/8							
		NPT & PT, PF 1/2							
	SS-3066	NPT & PT, PF 1/4	114	100	17	-	(88.5)	22	(65)
		NPT & PT, PF 3/8							
		NPT & PT, PF 1/2							

*()The measurement in the blanket is approximate.

Liquid Filled Pressure Gauge

Model No. **SS-3070 Series**

KINS



SS-3071



SS-3074

Summary

This gauge is proper for measuring the pressure in place where mechanical vibration and pulsation are heavy because its interior devices are precipitated in silicon liquid and by doing this, it is able to suppress vibration which is used by the viscosity resistance of liquid. This pressure gauge guarantees its performance and the life span as it has relatively better durability than other general pressure gauges because it prevents abrasion of the interior devices using lubricative fluid.

Safety Management

- Do not give impact during the transportation, installation and usage
- Be sure to install pressure gauge to be horizontal and vertical.

Purpose of Use

- Various plants such as petrochemistry, etc.
- Oil pressure press, etc. where a lot of vibration and pulsation exist
- Where a lot of temperature changes exist
- For shipbuilding and power plant
- For industrial use, special fluid line, etc.

Production Specification

- ▶ Diameter
 - 60, 75, 100, 150 mm
- ▶ Accuracy
 - 60, 75mm : ±1.5% of Full Scale
 - 100, 150mm : ±1.0% of Full Scale
- ▶ Working Pressure
 - Static pressure : 75% of Full Scale
 - Fluctuating pressure : 60% of Full Scale
- ▶ Working Temperature
 - Ambient : - 20 ~ 65 °C
 - Fluid : - 20 ~ 80 °C
- ▶ Degree of protection
 - IP67

▶ Range

60mm	- 0.1 ~ 2 MPa
75mm	- 0.1 ~ 0 MPa 0 ~ 35 MPa
100mm	- 0.1 ~ 2 MPa
150mm	- 0.1 ~ 0 MPa 0 ~ 200 MPa

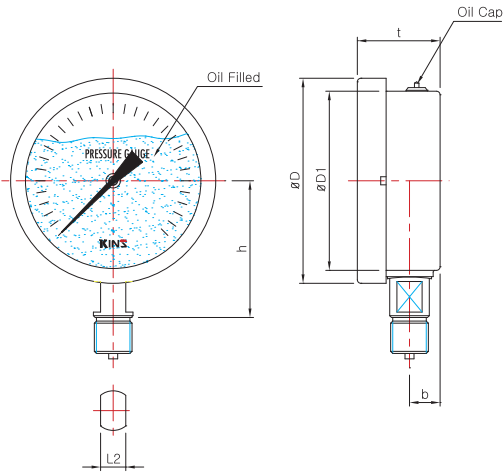
Product Specification

- | | | |
|--|--|---|
| <ul style="list-style-type: none"> + Case <ul style="list-style-type: none"> · STS 304 + Cover <ul style="list-style-type: none"> · STS 304 · Slip-on-Fit + Connection <ul style="list-style-type: none"> · STS 316 · PF, PT ↔ 1/4, 3/8 · UNF 7/16 + Window <ul style="list-style-type: none"> · Tempered safety glass, · Laminated safety glass | <ul style="list-style-type: none"> + Type <ul style="list-style-type: none"> · A-Type (Rimless type) · B-Type (Surface type) · D-Type (Flush mounting type) · BD-Type (Panel attachment type) + Pointer <ul style="list-style-type: none"> · Aluminum · Black coating + Dial <ul style="list-style-type: none"> · Aluminum · White color coating · Black (MPa), red (bar) gradations and characters | <ul style="list-style-type: none"> + Filling Liquid <ul style="list-style-type: none"> · Silicone oil or Glycerin oil + Element <ul style="list-style-type: none"> · STS 304, STS 316 · C type bourdon tube, helical type bourdon tube + Movement <ul style="list-style-type: none"> · STS 304 + Option <ul style="list-style-type: none"> · Bracket · Throttles · Accessories |
|--|--|---|

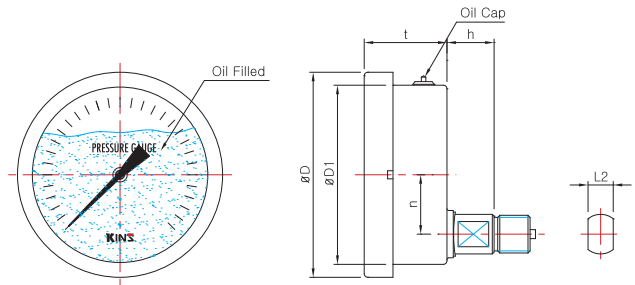
Liquid Filled Pressure Gauge

Model No. SS-3070 Series

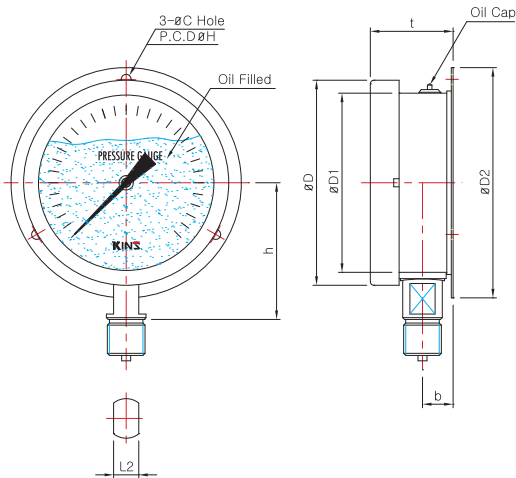
Model No. | SS-3071
A Type (60, 75, 100, 150mm)



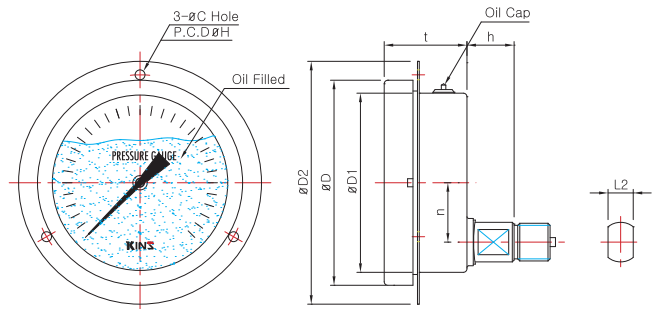
Model No. | SS-3073
D Type (60, 75, 100, 150mm)



Model No. | SS-3072
B Type (60, 75, 100, 150mm)



Model No. | SS-3074
BD Type (60, 75, 100, 150mm)



Pressure Gauge

Differential Pressure Gauge & Switch

Accessories of Pressure Gauge

Thermometer & Thermometer Switch

Thermocouple & R.T.D

Thermowell

Transmitter

Indicator etc.

Technical data

Dimensions (mm)

	Model No.	Conn'n (d)	ØD	ØD1	ØD2	b	n	t	L2	h	ØC(OB)	ØH
60mm	SS-3071 & SS-3072	UNF 7/16	72	64	84	12	-	(39)	12	(48)	4.5	72
		NPT & PT, PF 1/8										
		NPT & PT, PF 1/4										
	SS-3073 & SS-3074	UNF 7/16	72	64	90	-	18	(39)	12	(20)	4.5	81
		NPT & PT, PF 1/8										
		NPT & PT, PF 1/4										
75mm	SS-3071 & SS-3072	UNF 7/16	87	77	100	14	-	(40)	14	(54)	4.5	88
		NPT & PT, PF 1/4										
		NPT & PT, PF 3/8										
	SS-3073 & SS-3074	UNF 7/16	87	77	107	-	22	(40)	14	(17)	4.5	97
		NPT & PT, PF 1/4										
		NPT & PT, PF 3/8										
100mm	SS-3071 & SS-3072	UNF 7/16	114	100	128	17	-	(46)	17	(76)	5.5	115
		NPT & PT, PF 1/4										
		NPT & PT, PF 3/8										
		NPT & PT, PF 1/2										
	SS-3073 & SS-3074	UNF 7/16	114	100	135	-	33	(46)	17	(26)	5.5	120
		NPT & PT, PF 1/4										
NPT & PT, PF 3/8												
NPT & PT, PF 1/2												
150mm	SS-3071 & SS-3072	UNF 7/16	168	152	188	17	-	(50)	17	(100)	5.5	174
		NPT & PT, PF 1/4										
		NPT & PT, PF 3/8										
		NPT & PT, PF 1/2										
	SS-3073 & SS-3074	UNF 7/16	168	152	188	-	33	(50)	17	(26)	5.5	174
		NPT & PT, PF 1/4										
NPT & PT, PF 3/8												
NPT & PT, PF 1/2												

*()The measurement in the blanket is approximate.

Pressure Gauge

Differential Pressure Gauge & Switch

Accessories of Pressure Gauge

Thermometer & Thermometer Switch

Thermocouple & R.T.D

Thermowell

Transmitter

Indicator etc.

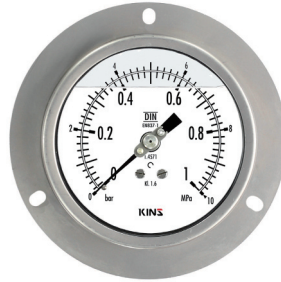
Technical data

Liquid Filled Euro Pressure Gauge (DIN)

Model No. **SD-3070 Series**



SD-3071



SD-3074

Summary

This gauge is proper for measuring the pressure in place where mechanical vibration and pulsation are heavy because its interior devices are precipitated in silicon liquid and by doing this, it is able to suppress vibration which is used by the viscosity resistance of liquid. This pressure gauge guarantees its performance and the life span as it has relatively better durability than other general pressure gauges because it prevents abrasion of the interior devices using lubricative fluid.

Safety Management

- Do not give impact during the transportation, installation and usage.
- Be sure to install pressure gauge to be horizontal and vertical.

Purpose of Use

- Power plants (thermal, hydraulic, nuclear)
- Oil pressure press, etc. where a lot of vibration and pulsation exist
- Various plants such as chemistry, refinery, shipbuilding industry, etc.
- For industrial use, special fluid line, etc.
- Food industry

Production Specification

- ▶ **Diameter**
 - 63, 80, 100, 160 mm
- ▶ **Accuracy**
 - 63, 80mm : $\pm 1.6\%$ of Full Scale
 - 100mm : $\pm 1.0\%$ of Full Scale
- ▶ **Working Pressure**
 - Static pressure : 75% of Full Scale
 - Fluctuating pressure : 60% of Full Scale
- ▶ **Working Temperature**
 - Ambient : $-20 \sim 65^\circ\text{C}$
 - Fluid : $-20 \sim 80^\circ\text{C}$

▶ Range

63mm	- 0.1 ~ 0 MPa
80mm	0 ~ 35 MPa
100mm	- 0.1 ~ 0 MPa
160mm	0 ~ 200 MPa

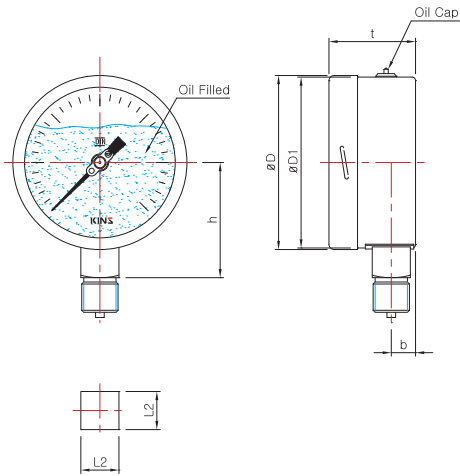
Product Specification

- | | | |
|--|---|---|
| <ul style="list-style-type: none"> + Case <ul style="list-style-type: none"> · STS 304 + Cover <ul style="list-style-type: none"> · STS 304 · Slip-on-Fit + Connection <ul style="list-style-type: none"> · STS 316 · UNF 7/16 · PF, PT, NPT ↔ 1/4, 3/8, 1/2 + Window <ul style="list-style-type: none"> · Tempered safety glass, · Laminated safety glass | <ul style="list-style-type: none"> + Type <ul style="list-style-type: none"> · A-Type (Rimless type) · B-Type (Surface type) · D-Type (Flush mounting type) · BD-Type (Panel attachment type) + Pointer <ul style="list-style-type: none"> · Aluminum · Black coating + Dial <ul style="list-style-type: none"> · Aluminum · White color coating · Black gradation and characters | <ul style="list-style-type: none"> + Element <ul style="list-style-type: none"> · STS 304, STS 316 · C type bourdon tube, helical type bourdon tube + Movement <ul style="list-style-type: none"> · STS 304 + Filling Liquid <ul style="list-style-type: none"> · Silicone oil or Glycerin oil + Option <ul style="list-style-type: none"> · Bracket · Throttles · Accessories |
|--|---|---|

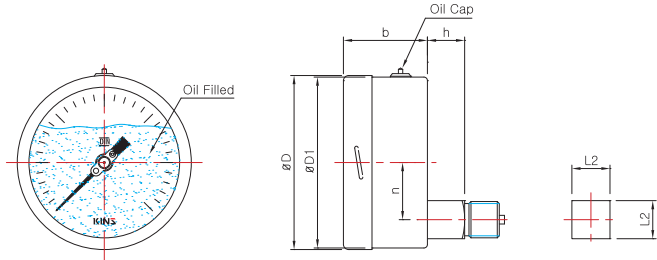
Liquid Filled Euro Pressure Gauge (DIN)

Model No. SD-3070 Series

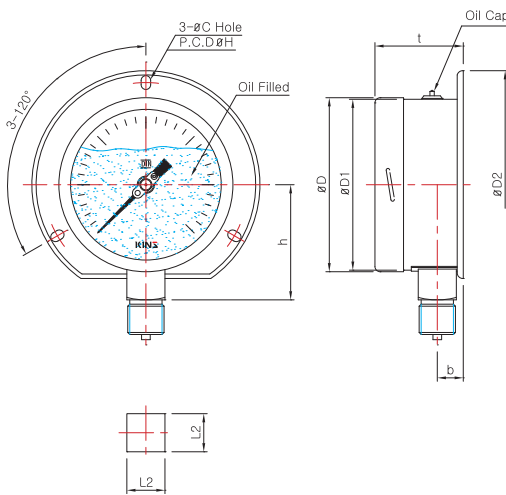
Model No. | SD-3071
A Type (63, 80, 100, 160mm)



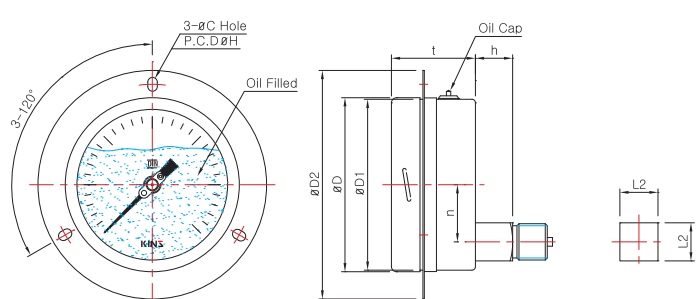
Model No. | SD-3073
D Type (63, 80, 100, 160mm)



Model No. | SD-3072
B Type (63, 80, 100, 160mm)



Model No. | SD-3074
BD Type (63, 80, 100, 160mm)



Pressure Gauge

Differential Pressure Gauge & Switch

Accessories of Pressure Gauge

Thermometer & Thermometer Switch

Thermocouple & R.T.D

Thermowell

Transmitter

Indicator etc.

Technical data

Dimensions (mm)

	Model No.	Conn'n (d)	ØD	ØD1	ØD2	b	n	t	L2	h	ØC(OB)	ØH
63mm	SD-3071 & SD-3072	UNF 7/16	63.6	61.5	85	9	-	(33)	14	(40.5)	4.5x6.5	75
		NPT & PT, PF 1/8										
		NPT & PT, PF 1/4										
	SD-3073 & SD-3074	UNF 7/16	63.6	61.5	92	-	-	(33)	14	(12.5)	4.5x6.5	78
		NPT & PT, PF 1/8										
		NPT & PT, PF 1/4										
80mm	SD-3071 & SD-3072	UNF 7/16	79.5	77.5	111	13	-	(40)	17	(53)	4.5x6.5	95
		NPT & PT, PF 1/4										
		NPT & PT, PF 3/8										
	SD-3073 & SD-3074	UNF 7/16	79.5	77.5	112	-	22	(40)	17	(16)	4.5x6.5	95
		NPT & PT, PF 1/4										
		NPT & PT, PF 3/8										
100mm	SD-3071 & SD-3072	UNF 7/16	100.5	98.7	132	15	-	(48.5)	22	(66.5)	5.5x8	118
		NPT & PT, PF 1/4										
		NPT & PT, PF 3/8										
		NPT & PT, PF 1/2										
	SD-3073 & SD-3074	UNF 7/16	100.5	98.7	132	-	32	(48.5)	22	(20.5)	5.5x8	118
		NPT & PT, PF 1/4										
NPT & PT, PF 1/2												
160mm	SD-3071 & SD-3072	UNF 7/16	160	146	182.5	17	-	(51)	22	(102)	5.5x8	162
		NPT & PT, PF 1/4										
		NPT & PT, PF 3/8										
		NPT & PT, PF 1/2										
	SD-3073 & SD-3074	UNF 7/16	160	146	192	-	48	(51)	22	(20)	5.5x8	178
		NPT & PT, PF 1/4										
NPT & PT, PF 1/2												

*()The measurement in the blanket is approximate.

- Pressure Gauge
- Differential Pressure Gauge & Switch
- Accessories of Pressure Gauge
- Thermometer & Thermometer Switch
- Thermocouple & R.T.D
- Thermowell
- Transmitter
- Indicator etc.
- Technical data

Liquid Filled Pressure Gauge

Model No. **SS-3075/8 Series**



SS-3075



SS-3078

Summary

This gauge is proper for measuring the pressure in place where mechanical vibration and pulsation are heavy because its interior devices are precipitated in silicon liquid and by doing this, it is able to suppress vibration which is used by the viscosity resistance of liquid. This pressure gauge guarantees its performance and the life span as it has relatively better durability than other general pressure gauges because it prevents abrasion of the interior devices using lubricative fluid.

Safety Management

- Do not give impact during the transportation, installation and usage.
- Be sure to install pressure gauge to be horizontal and vertical.

Purpose of Use

- Oil pressure line
- Places with a lot of vibration, pulsation
- Places where a lot of temperature changes exist
- Compressor, press, etc.

Production Specification

- ▶ Diameter
 - 60, 75, 100 mm
- ▶ Accuracy
 - ±1.5% of Full Scale
- ▶ Working Pressure
 - Static pressure : 75% of Full Scale
 - Fluctuating pressure : 60% of Full Scale
- ▶ Working Temperature
 - Ambient : - 20 ~ 65 °C
 - Fluid : - 20 ~ 80 °C

▶ Range

60mm	- 0.1 ~ 2 MPa
75mm	- 0.1 ~ 0 MPa 0 ~ 35 MPa
100mm	- 0.1 ~ 2 MPa - 0.1 ~ 0 MPa 0 ~ 35 MPa

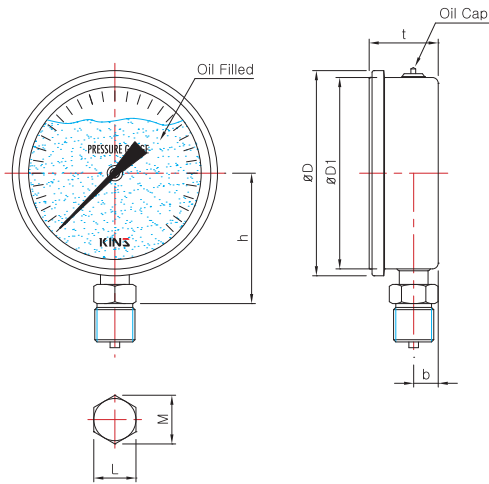
Product Specification

- | | | |
|--|--|---|
| <ul style="list-style-type: none"> + Case <ul style="list-style-type: none"> · STS 304 + Cover <ul style="list-style-type: none"> · STS 304 · Press Corking + Connection <ul style="list-style-type: none"> · Brass(C3604BE) → Cr-Plating · PF, PT ↔ 3/8, 1/2 + Window <ul style="list-style-type: none"> · Tempered safety glass, · Laminated safety glass | <ul style="list-style-type: none"> + Type <ul style="list-style-type: none"> · A-Type (Rimless type) · B-Type (Surface type) · D-Type (Flush mounting type) · BD-Type (Panel attachment type) + Pointer <ul style="list-style-type: none"> · Aluminum · Black coating + Dial <ul style="list-style-type: none"> · Aluminum · White color coating · Black (MPa), red (bar) gradations and characters | <ul style="list-style-type: none"> + Filling Liquid <ul style="list-style-type: none"> · Silicone oil or Glycerin oil + Element <ul style="list-style-type: none"> · Brass(C2700T) · C type bourdon tube, helical type bourdon tube + Movement <ul style="list-style-type: none"> · Brass + Option <ul style="list-style-type: none"> · Bracket(SS-3077, 3078) · Throttles · Accessories |
|--|--|---|

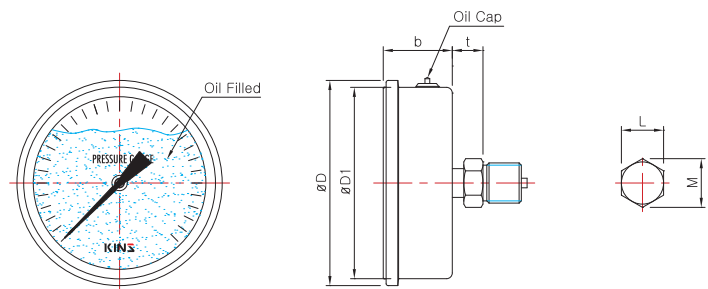
Liquid Filled Pressure Gauge

Model No. SS-3075/8 Series

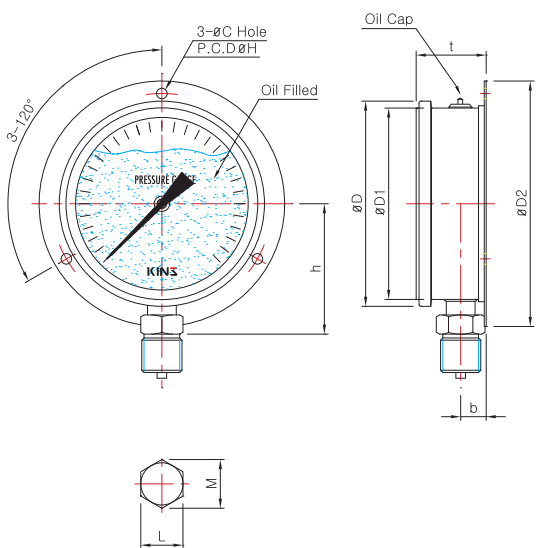
Model No. | SS-3075
A Type (60, 75, 100mm)



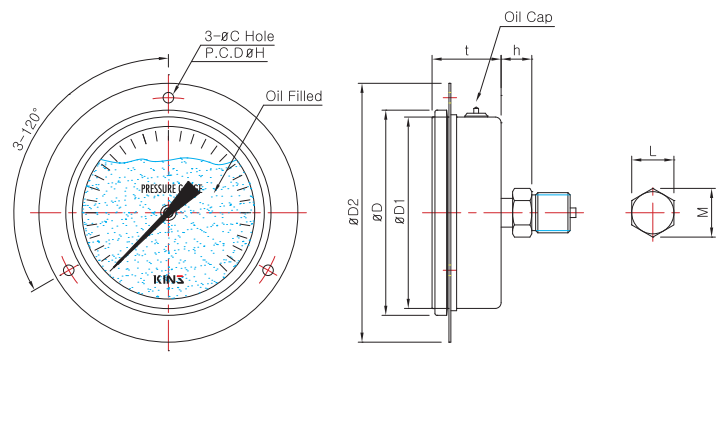
Model No. | SS-3077
D Type (60, 75, 100mm)



Model No. | SS-3076
B Type (60, 75, 100mm)



Model No. | SS-3078
BD Type (60, 75, 100mm)



Pressure Gauge

Differential Pressure Gauge & Switch

Accessories of Pressure Gauge

Thermometer & Thermometer Switch

Thermocouple & R.T.D

Thermowell

Transmitter

Indicator etc.

Technical data

Dimensions (mm)

	Model No.	Conn'n (d)	ØD	ØD1	ØD2	b	n	t	L	M	h	ØC	ØH
60mm	SS-3075 & SS-3076	NPT & PT, PF 1/4	72	63	84	10	-	(34)	15	(17,3)	(46)	4,5	72
	SS-3077 & SS-3078	NPT & PT, PF 1/4	72	63	90	-	-	(34)	15	(17,3)	(13)	4,5	81
75mm	SS-3075 & SS-3076	NPT & PT, PF 3/8	86	77	100	14	-	(36)	17	(19,6)	(57)	4,5	88
	SS-3077 & SS-3078	NPT & PT, PF 3/8	86	77	107	-	-	(36)	17	(19,6)	(16)	4,5	97
100mm	SS-3075 & SS-3076	NPT & PT, PF 3/8	107	100	128	14	-	(46)	17	(19,6)	(68)	5,5	115
		NPT & PT, PF 1/2						22	(25,4)				
	SS-3077 & SS-3078	NPT & PT, PF 3/8	107	100	135	-	-	(46)	17	(19,6)	(16)	5,5	120
		NPT & PT, PF 1/2						22	(25,4)				

*()The measurement in the blanket is approximate.

Pressure Gauge

Differential Pressure Gauge & Switch

Accessories of Pressure Gauge

Thermometer & Thermometer Switch

Thermocouple & R.T.D

Thermowell

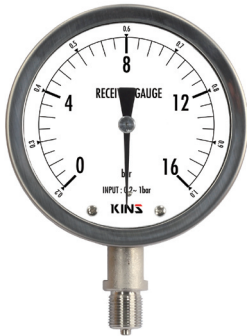
Transmitter

Indicator etc.

Technical data

Receiver Gauge

Model No. **SS-3080 Series**



SS-3081



SS-3084

Summary

This gauge is used for various kinds of receiver gauges which measure the amount, flux, differential pressure, pressure of the transfer system of pneumatic pressure and it uses bourdon pipes which have high viscosity and sensitiveness as an element.

Safety Management

- Be sure to install a protecting device where exist abrupt change of pressure, vibration and pulsation.
- Do not give impact during the transportation, installation and usage.
- Be sure to install pressure gauge to be horizontal and vertical.

Purpose of Use

- Various pneumatic pressure transmitter, amount of control valve (open, close)

Production Specification

- ▶ Diameter
 - 100, 150 mm
- ▶ Accuracy
 - $\pm 1.0\%$ of Full Scale
- ▶ Scale Range
 - Linear Scale : 0 ~ 100%
 - Square Root Scale : 0 ~ 10 Root
- ▶ Working Pressure
 - Static pressure : 75% of Full Scale
 - Fluctuating pressure : 60% of Full Scale
- ▶ Working Temperature
 - Ambient : - 20 ~ 65 °C
 - Fluid : - 20 ~ 80 °C

Product Specification

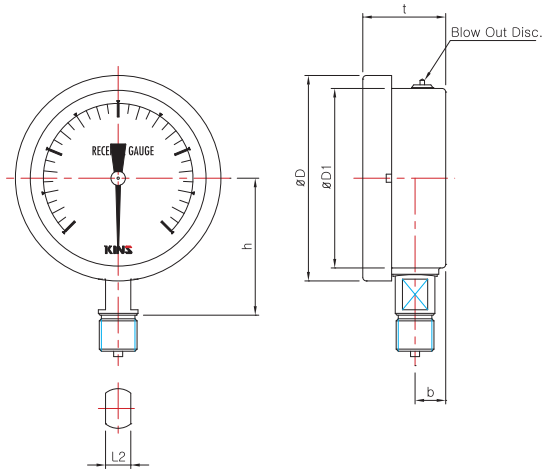
- | | | |
|---|--|---|
| <ul style="list-style-type: none"> + Case <ul style="list-style-type: none"> · STS 304 + Cover <ul style="list-style-type: none"> · STS 304 · Slip-on-Fit + Connection <ul style="list-style-type: none"> · STS 316 · PF, PT ↔ 1/4(Female), 3/8, 1/2 + Window <ul style="list-style-type: none"> · Tempered safety glass, · Laminated safety glass | <ul style="list-style-type: none"> + Type <ul style="list-style-type: none"> · A-Type (Rimless type) · B-Type (Surface type) · D-Type (Flush mounting type) · BD-Type (Panel attachment type) + Pointer <ul style="list-style-type: none"> · Aluminum · Black coating + Dial <ul style="list-style-type: none"> · Aluminum · White color coating · Black gradation and characters | <ul style="list-style-type: none"> + Element <ul style="list-style-type: none"> · STS 304, STS 316 · C type bourdon tube + Movement <ul style="list-style-type: none"> · STS 304 + Option <ul style="list-style-type: none"> · Bracket · Accessories |
|---|--|---|

Pressure Gauge
 Differential Pressure Gauge & Switch
 Accessories of Pressure Gauge
 Thermometer & Thermometer Switch
 Thermocouple & R.T.D
 Thermowell
 Transmitter
 Indicator etc.
 Technical data

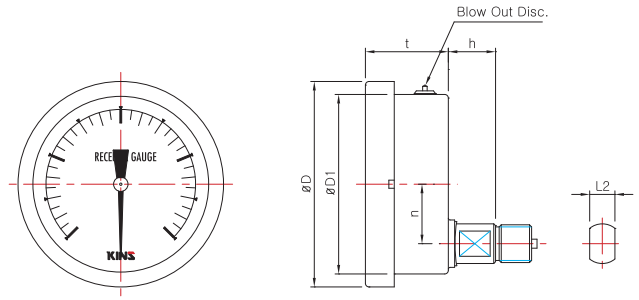
Receiver Gauge

Model No. SS-3080 Series

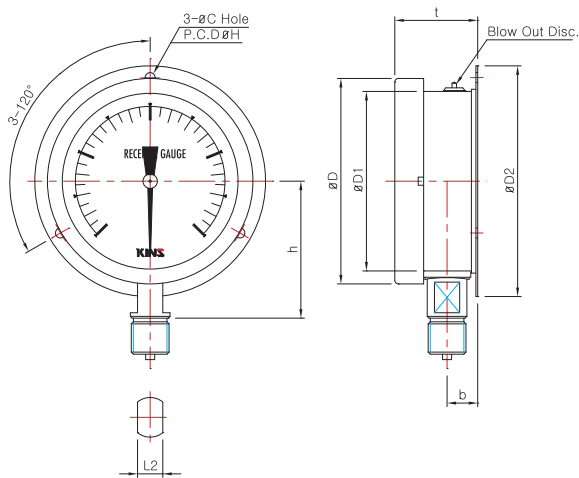
Model No. | SS-3081
A Type (100, 150mm)



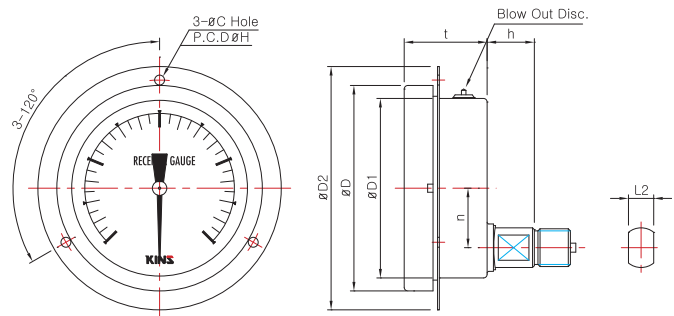
Model No. | SS-3083
D Type (100, 150mm)



Model No. | SS-3082
B Type (100, 150mm)



Model No. | SS-3084
BD Type (100, 150mm)



Pressure Gauge

Differential Pressure Gauge & Switch

Accessories of Pressure Gauge

Thermometer & Thermometer Switch

Thermocouple & R.T.D

Thermowell

Transmitter

Indicator etc.

Technical data

Dimensions (mm)

	Model No.	Conn'n (d)	ØD	ØD1	ØD2	b	n	t	L2	h	ØC	ØH
100mm	SS-3081 & SS-3082	Female (1/4)	114	100	128	17	-	(46)	(17)	(76)	5.5	115
		NPT & PT, PF 1/4										
		NPT & PT, PF 3/8										
		NPT & PT, PF 1/2										
	SS-3083 & SS-3084	Female (1/4)	114	100	135	-	33	(46)	(17)	(26)	5.5	120
		NPT & PT, PF 1/4										
		NPT & PT, PF 3/8										
		NPT & PT, PF 1/2										
150mm	SS-3081 & SS-3082	Female (1/4)	168	152	188	17	-	(50)	(17)	(100)	5.5	174
		NPT & PT, PF 1/4										
		NPT & PT, PF 3/8										
		NPT & PT, PF 1/2										
	SS-3083 & SS-3084	Female (1/4)	168	152	188	-	33	(50)	(17)	(26)	5.5	174
		NPT & PT, PF 1/4										
		NPT & PT, PF 3/8										
		NPT & PT, PF 1/2										

*()The measurement in the blanket is approximate.

Pressure Gauge

Differential Pressure Gauge & Switch

Accessories of Pressure Gauge

Thermometer & Thermometer Switch

Thermocouple & R.T.D

Thermowell

Transmitter

Indicator etc.

Technical data

Duplex Pressure Gauge

Model No. **SS-3090 Series**



SS-3091 100mm



SS-3092 100mm

Summary

This gauge has a structure that 2 pressure gauges are combined as a one equipment. It consists of two pressure openings, two bourdon pipes, two indicators (concentric trommel movement) and two types of amplification devices, etc. Therefore, it can measure two places' pressures with one gauge. This gauge has limitation in installation and usually it is for vehicles and has high durability.

Safety Management

- Be sure to install a protecting device where exist abrupt change of pressure, vibration and pulsation.
- Do not give impact during the transportation, installation and usage.
- Be sure to install pressure gauge to be horizontal and vertical.

Purpose of Use

- For railroad car, ships, equipment of generators
- Potential difference of pressure line, etc.

Production Specification

- ▶ Diameter
 - 100 mm
- ▶ Accuracy
 - $\pm 1.0\%$ of Full Scale
- ▶ Scale Range
 - 0.4 MPa \sim 3.5 MPa, - 0.1 + 0.6 \sim 2 MPa
 - (※ 1 MPa = 10.19716 kgf/cm²)
- ▶ Working Pressure
 - Static pressure : 75% of Full Scale
 - Fluctuating pressure : 60% of Full Scale
- ▶ Working Temperature
 - Ambient : - 20 \sim 65 °C
 - Fluid : - 20 \sim 80 °C

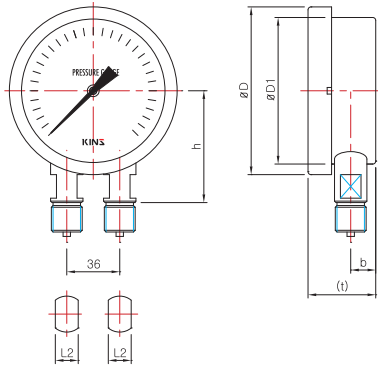
Product Specification

<p>+ Case</p> <ul style="list-style-type: none"> · STS 304 <p>+ Cover</p> <ul style="list-style-type: none"> · STS 304 <p>+ Connection</p> <ul style="list-style-type: none"> · STS 316 · PF, PT, NPT \leftrightarrow 1/4, 3/8, 1/2 (Duplex) <p>+ Window</p> <ul style="list-style-type: none"> · Tempered safety glass, · Laminated safety glass 	<p>+ Type</p> <ul style="list-style-type: none"> · A-Type (Rimless type) · B-Type (Surface type) · D-Type (Flush mounting type) · BD-Type (Panel attachment type) <p>+ Pointer</p> <ul style="list-style-type: none"> · Aluminum · Black (high), red (low) <p>+ Dial</p> <ul style="list-style-type: none"> · Aluminum · White color coating · Black (MPa), red (bar) gradations and characters 	<p>+ Element</p> <ul style="list-style-type: none"> · Brass · C type bourdon tube <p>+ Movement</p> <ul style="list-style-type: none"> · Brass <p>+ Option</p> <ul style="list-style-type: none"> · Accessories
--	---	--

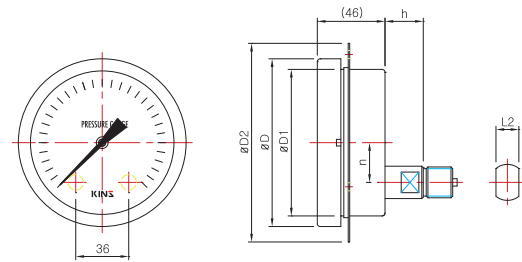
Duplex Pressure Gauge

Model No. SS-3090 Series

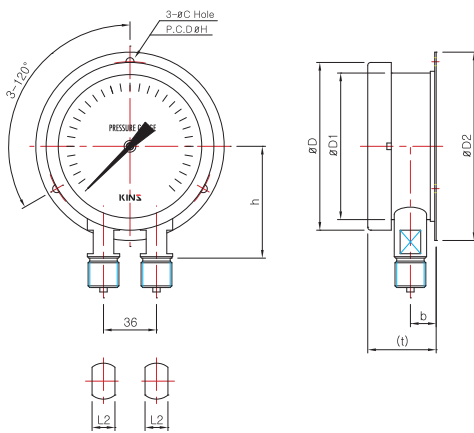
Model No. | SS-3091 (100mm)
A-Type (Rimless type)



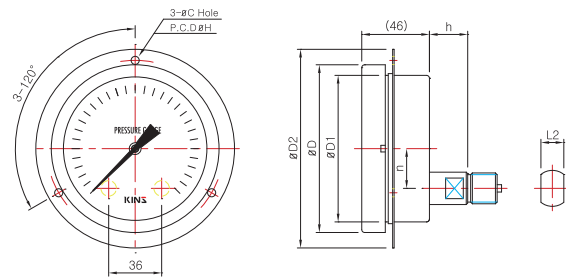
Model No. | SS-3093 (100mm)
D-Type (Flush mounting type)



Model No. | SS-3092 (100mm)
B-Type (Surface type)



Model No. | SS-3094 (100mm)
BD-Type (Panel attachment type)



Dimensions (mm)

	Model No.	Conn'n (d)	ØD	ØD1	ØD2	b	n	t	L2	h	ØC	ØH
100mm	SS-3091 & SS-3092	NPT & PT, PF 1/4	114	100	128	17	-	(46)	17	(76)	5.5	115
		NPT & PT, PF 3/8										
		NPT & PT, PF 1/2										
100mm	SS-3093 & SS-3094	NPT & PT, PF 1/4	114	100	135	-	27	(46)	17	(26)	5.5	120
		NPT & PT, PF 3/8										
		NPT & PT, PF 1/2										

*()The measurement in the blanket is approximate.

Pressure Gauge

Differential Pressure Gauge & Switch

Accessories of Pressure Gauge

Thermometer & Thermometer Switch

Thermocouple & RTD

Thermowell

Transmitter

Indicator, etc.

Technical data

Level Pressure Gauge

Model No. **SS-3100 Series**

KINS



SS-3100

Summary

This gauge has a chamber and has high accuracy and durability. It is easy to be attached and that's the difference with other level gauges.

Safety Management

- Do not give impact during the transportation, installation and usage.
- Be sure to install pressure gauge to be horizontal and vertical.

Purpose of Use

- Chemistry plant, ships, fuel tank with bulk storage
- Use when measuring level of liquid.

Production Specification

- ▶ **Diameter**
 - 150 mm
- ▶ **Accuracy**
 - $\pm 1.5\%$ of Full Scale
- ▶ **Scale Range**
 - Depth of tank : 1 ~ 50(M)
- ▶ **Working Pressure**
 - Static pressure : 75% of Full Scale
 - Fluctuating pressure : 60% of Full Scale
- ▶ **Working Temperature**
 - Ambient : $-20 \sim 70$ °C
 - Fluid : $-20 \sim 120$ °C

Product Specification

+ Case · STS 304	+ Type · Bracket	+ Element · STS 304, STS 316
+ Cover · STS 304 · Slip-on-Fit	+ Pointer · Aluminum · Black coating	+ Movement · Brass
+ Connection · Flange (See the drawing)	+ Dial · Aluminum · White color coating · Black gradation and characters	+ CaPillary Tube · STS304 · Max. 10M
+ Window · Tempered safety glass		+ Option

Pressure Gauge

Differential Pressure Gauge & Switch

Accessories of Pressure Gauge

Thermometer & Thermometer Switch

Thermocouple & R.T.D

Thermowell

Transmitter

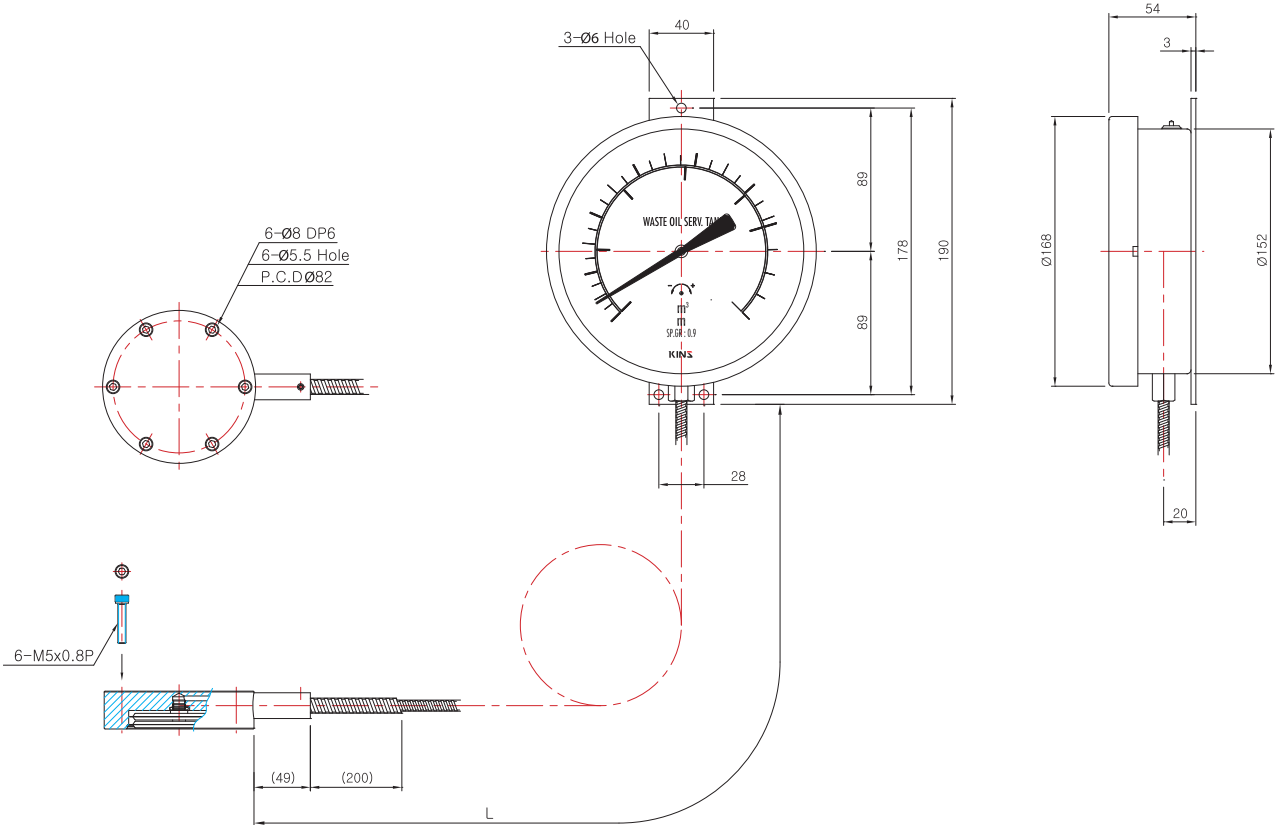
Indicator etc.

Technical data

Level Pressure Gauge

Model No. **SS-3100 Series**

Model No. | **SS-3100 (150mm)**



Pressure Recorder Gauge

Model No. **SS-3111 Series**

KINS



SS-3111 [1PEN]

Summary

This gauge is a wall-mounted tightness test recording instrument which records pressure changes while running with a pen on a paper for recording according to the flow of time with a recording device.

Safety Management

- Be sure to install a protecting device where exist abrupt change of pressure, vibration and pulsation.
- Do not give impact during the transportation, installation and usage.
- Be sure to install pressure gauge to be horizontal and vertical.

Purpose of Use

- Chemistry plant, LPG, LNG storage
- Various uses such as observation, checking, recording, etc.

Production Specification

- ▶ Diameter
 - 250 mm
- ▶ Accuracy
 - $\pm 1.5\%$ of Full Scale
- ▶ Scale Range
 - $-0.1 \text{ MPa} \sim 2 \text{ MPa}$, $0 \sim 100 \text{ MPa}$
 - ($\times 1 \text{ MPa} = 10.19716 \text{ kgf/cm}^2$)
- ▶ Working Pressure
 - Static pressure : 75% of Full Scale
 - Fluctuating pressure : 60% of Full Scale
- ▶ Working Temperature
 - Ambient : $-20 \sim 65 \text{ }^\circ\text{C}$
 - Fluid : $-20 \sim 80 \text{ }^\circ\text{C}$

Product Specification

<ul style="list-style-type: none"> + Case <ul style="list-style-type: none"> · Aluminum(Black coating) 	<ul style="list-style-type: none"> + Type <ul style="list-style-type: none"> · B-Type (Surface type) 	<ul style="list-style-type: none"> + Chart Paper <ul style="list-style-type: none"> · 30 papers
<ul style="list-style-type: none"> + Cover <ul style="list-style-type: none"> · Aluminum(Black coating) 	<ul style="list-style-type: none"> + Recorder Pen <ul style="list-style-type: none"> · 1 pen (Pressure) 	<ul style="list-style-type: none"> + Element <ul style="list-style-type: none"> · STS 304, STS 316 · C type bourdon tube
<ul style="list-style-type: none"> + Connection <ul style="list-style-type: none"> · STS 316 · PF, PT, NPT \leftrightarrow 3/8, 1/2 	<ul style="list-style-type: none"> + Revolution Time <ul style="list-style-type: none"> · Stationary type (spring type) ~ 10min, 30min · Controlling type (battery type) ~ 30min, 1hr, 3hr, 4hr, 12hr, 24hr 2Day, 4Day, 7Day, 8Day, 16Day 	<ul style="list-style-type: none"> + Movement <ul style="list-style-type: none"> · STS 304
<ul style="list-style-type: none"> + Window <ul style="list-style-type: none"> · Tempered safety glass, Laminated safety glass 		<ul style="list-style-type: none"> + Option <ul style="list-style-type: none"> · Accessories

Pressure Gauge

Differential Pressure Gauge & Switch

Accessories of Pressure Gauge

Thermometer & Thermometer Switch

Thermocouple & R.T.D

Thermowell

Transmitter

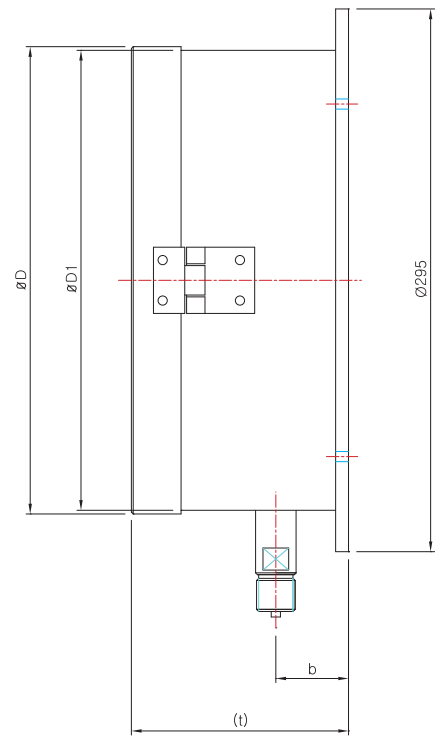
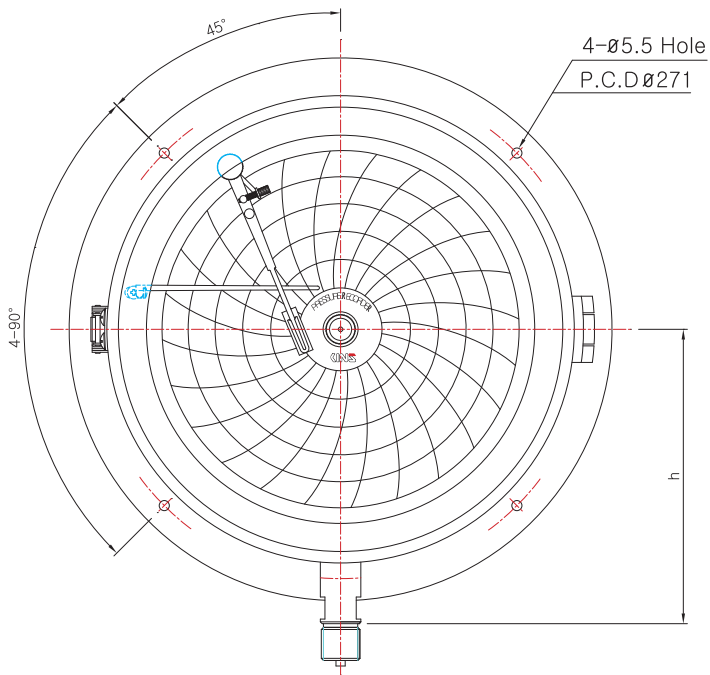
Indicator etc.

Technical data

Pressure Recorder Gauge

Model No. **SS-3111 Series**

Model No. | **SS-3111 (250mm)**
B-Type (Surface type)



Dimensions (mm)

Model No.	Conn'n (d)	ØD	ØD1	b	t	L2	h
SS-3111	NPT & PT, PF 3/8	254	250	40	(118)	17	(160)
	NPT & PT, PF 1/2						

*()The measurement in the blanket is approximate.

Pressure Gauge

Differential Pressure Gauge & Switch

Accessories of Pressure Gauge

Thermometer & Thermometer Switch

Thermocouple & R.T.D

Thermowell

Transmitter

Indicator etc.

Technical data

Leak Testing Recorder(for Portable)

Model No. **SS-3112 Series**



SS-3112

Summary

This instrument is a wall-mounted tightness test recording instrument which records pressure changes while running with a pen on a paper for recording according to the flow of time with a recording device.

Safety Management

- Be sure to install a protecting device where exist abrupt change of pressure, vibration and pulsation.
- Do not give impact during the transportation, installation and usage.
- Be sure to install pressure gauge to be horizontal and vertical.

Purpose of Use

- Checking leakage of LPG, LNG tank line
- Places where the danger of explosion by electric spark exist, etc.
- Facility standard of gas equipment permission

Production Specification

- ▶ Diameter
 - 100 mm
- ▶ Accuracy
 - $\pm 1.5\%$ of Full Scale
- ▶ Scale Range
 - 10 kPa ~ 50 kPa
 - (※ 1 kPa = 101.9716 mmH₂O)
- ▶ Working Pressure
 - Static pressure : 75% of Full Scale
 - Fluctuating pressure : 60% of Full Scale
- ▶ Working Temperature
 - Ambient : - 20 ~ 65 °C
 - Fluid : - 20 ~ 80 °C

Product Specification

+ Case · ENG'G Plastic	+ Type · Portable (square)	+ Element · Phosphor Bronze
+ Cover · ENG'G Plastic	+ Recorder Pen · 1 pen	+ Movement · Brass
+ Connection · Brass · Hose Connector	+ Revolution Time · Hand operated spring type (no power) · 10min/R, 30min/R	+ Option · Accessories
+ Window · ENG'G Plastic	+ Chart Paper · 100 papers	

Pressure Gauge

Differential Pressure Gauge & Switch

Accessories of Pressure Gauge

Thermometer & Thermometer Switch

Thermocouple & RTD

Thermowell

Transmitter

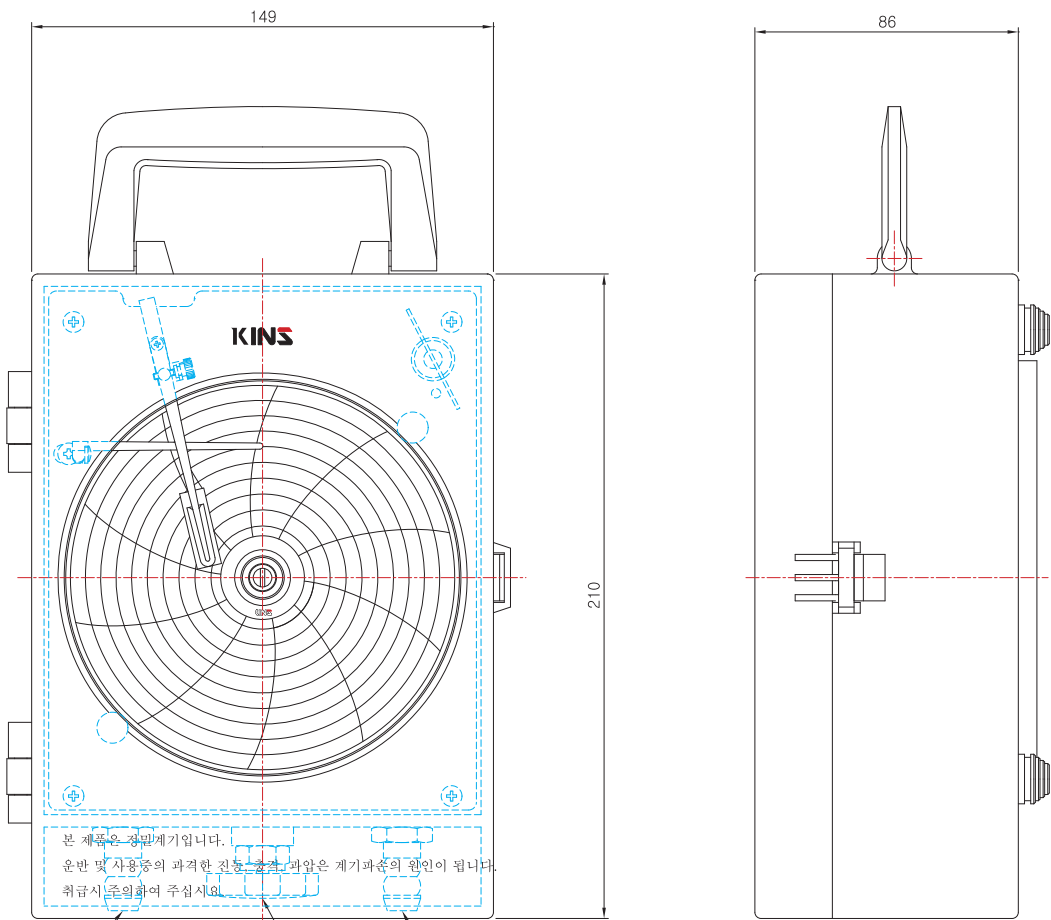
Indicator etc.

Technical data

Leak Testing Recorder(for Portable)

Model No. **SS-3112 Series**

Model No. | **SS-3112 (100mm)**



Plumbing side
Hose Connector

Valve

Pressurizing side
Hose Connector

Pressure Gauge

Differential
Pressure Gauge &
Switch

Accessories of
Pressure Gauge

Thermometer &
Thermometer Switch

Thermocouple
& R.T.D

Thermowell

Transmitter

Indicator etc.

Technical data

Leak Testing Recorder (200mm)

Model No. **SS-3113 Series**

KINS



SS-3113

Summary

This instrument is a wall-mounted tightness test recording instrument which records pressure changes while running with a pen on a paper for recording according to the flow of time with a recording device.

Safety Management

- Be sure to install a protecting device where exist abrupt change of pressure, vibration and pulsation.
- Do not give impact during the transportation, installation and usage.
- Be sure to install pressure gauge to be horizontal and vertical.

Purpose of Use

- Checking leakage of LPG, LNG tank line
- Places where the danger of explosion by electric spark exist, etc.
- Facility standard of gas equipment permission

Production Specification

- ▶ Diameter
 - 200 mm
- ▶ Accuracy
 - $\pm 1.5\%$ of Full Scale
- ▶ Scale Range
 - $-0.1 \text{ MPa} \sim 2 \text{ MPa}$, $0 \sim 100 \text{ MPa}$
 - (※ $1 \text{ MPa} = 10.19716 \text{ kgf/cm}^2$)
- ▶ Working Pressure
 - Static pressure : 75% of Full Scale
 - Fluctuating pressure : 60% of Full Scale
- ▶ Working Temperature
 - Ambient : $-20 \sim 65 \text{ }^\circ\text{C}$
 - Fluid : $-20 \sim 80 \text{ }^\circ\text{C}$

Product Specification

+ Case <ul style="list-style-type: none"> · Aluminum(Hammer tone coating) 	+ Type <ul style="list-style-type: none"> · Portable (square) 	+ Chart Paper <ul style="list-style-type: none"> · 30 papers
+ Cover <ul style="list-style-type: none"> · Aluminum(Hammer tone coating) 	+ Recorder Pen <ul style="list-style-type: none"> · 1 Pen Type 	+ Element <ul style="list-style-type: none"> · STS 304 · C type bourdon tube
+ Connection <ul style="list-style-type: none"> · Brass · PT ↔ 3/8(Cr-Plating) 	+ Revolution Time <ul style="list-style-type: none"> · Stationary type (spring type) ~ 10min, 30min · Controlling type (battery type) ~ 30min, 1hr, 3hr, 4hr, 12hr, 24hr 2Day, 4Day, 7Day, 8Day, 16Day 	+ Movement <ul style="list-style-type: none"> · Brass
+ Window <ul style="list-style-type: none"> · ENG'G Plastic 		+ Option <ul style="list-style-type: none"> · Accessories

Pressure Gauge

Differential Pressure Gauge & Switch

Accessories of Pressure Gauge

Thermometer & Thermometer Switch

Thermocouple & R.T.D

Thermowell

Transmitter

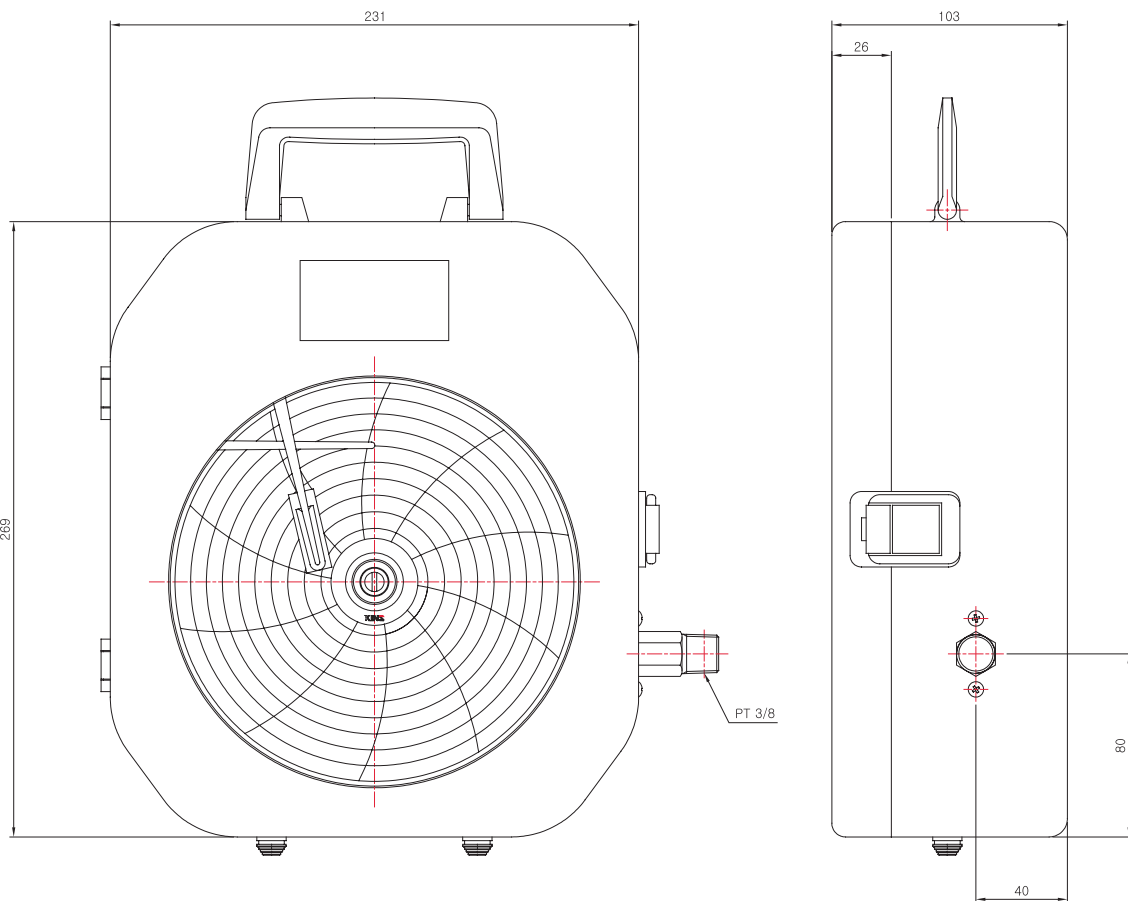
Indicator etc.

Technical data

Leak Testing Recorder (200mm)

Model No. **SS-3113 Series**

Model No. | **SS-3113 (200mm)**



Pressure Gauge

Differential Pressure Gauge & Switch

Accessories of Pressure Gauge

Thermometer & Thermometer Switch

Thermocouple & R.T.D

Thermowell

Transmitter

Indicator etc.

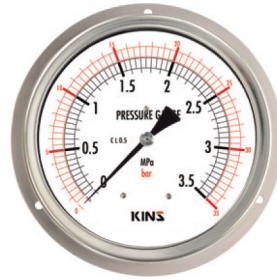
Technical data

Test Pressure Gauge

Model No. **SS-3120 Series**



SS-3121 150mm



SS-3124 150mm

Summary

In these days, as the service condition is diverse, the need of measuring high level pressure increases. This gauge is proper for measuring the changes of high levels or for calibrating instrument for general level (level 1.5, 3.0).

Safety Management

- Do not give impact during the transportation, installation and usage
- Be sure to install the pressure gauge to be horizontal and vertical
- Avoid places where exist a lot of steam, poisonous gas.

Purpose of Use

- Various laboratories, standard equipment
- Various line such as precise pressure measuring line
- General type, correction of other pressure gauges, for inspection, etc.

Production Specification

- ▶ Diameter
 - 150 mm
- ▶ Accuracy
 - $\pm 0.5\%$ of Full Scale
- ▶ Scale Range
 - 0.1 MPa ~ 100 MPa
 - ($\times 1 \text{ MPa} = 10.19716 \text{ kgf/cm}^2$)
- ▶ Working Pressure
 - Static pressure : 75% of Full Scale
 - Fluctuating pressure : 60% of Full Scale
- ▶ Working Temperature
 - Ambient : $-20 \sim 65 \text{ }^\circ\text{C}$
 - Fluid : $-20 \sim 80 \text{ }^\circ\text{C}$

Product Specification

- | | | |
|---|--|---|
| <ul style="list-style-type: none"> + Case <ul style="list-style-type: none"> · STS 304 + Cover <ul style="list-style-type: none"> · STS 304 · Slip-on-Fit + Connection <ul style="list-style-type: none"> · STS 316 · PF, PT, NPT \leftrightarrow 1/4, 3/8, 1/2 + Window <ul style="list-style-type: none"> · Tempered safety glass, · Laminated safety glass | <ul style="list-style-type: none"> + Type <ul style="list-style-type: none"> · A-Type (Rimless type) · B-Type (Surface type) · D-Type (Flush mounting type) · BD-Type (Panel attachment type) + Pointer <ul style="list-style-type: none"> · Aluminum · Black coating + Dial <ul style="list-style-type: none"> · Aluminum · White coating · Black (MPa), red (bar) gradations and characters | <ul style="list-style-type: none"> + Element <ul style="list-style-type: none"> · STS 304, STS 316 · C type bourdon tube, helical type bourdon tube + Movement <ul style="list-style-type: none"> · STS 304 + Option <ul style="list-style-type: none"> · Bracket · Throttles · Accessories |
|---|--|---|

Pressure Gauge

Differential Pressure Gauge & Switch

Accessories of Pressure Gauge

Thermometer & Thermometer Switch

Thermocouple & RTD

Thermowell

Transmitter

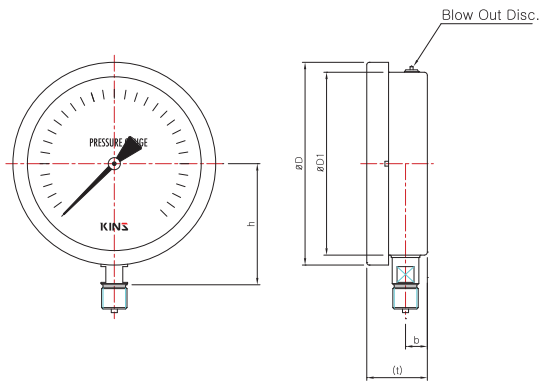
Indicator etc.

Technical data

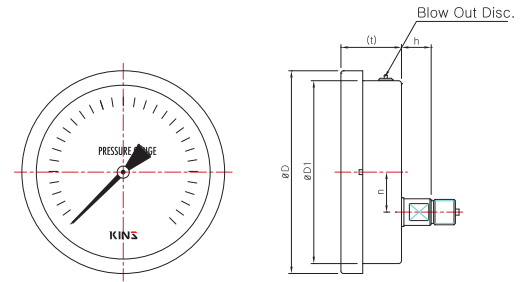
Test Pressure Gauge

Model No. SS-3120 Series

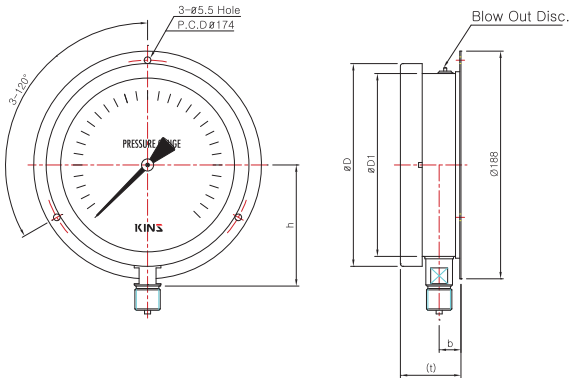
Model No. | SS-3121 (150mm)
A-Type (Rimless type)



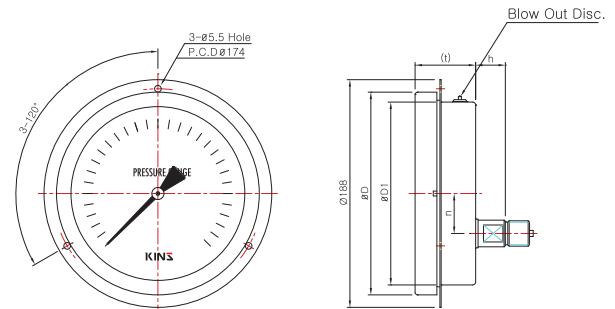
Model No. | SS-3123 (150mm)
D-Type (Flush mounting type)



Model No. | SS-3122 (150mm)
B-Type (Surface type)



Model No. | SS-3124 (150mm)
BD-Type (Panel attachment type)



Dimensions (mm)

	Model No.	Conn'n (d)	ØD	ØD1	b	n	t	L2	h	ØC	ØH
150mm	SS-3121 & SS-3122	NPT & PT, PF 1/4	168	152	17	-	(50)	17	(100)	5.5	174
		NPT & PT, PF 3/8									
		NPT & PT, PF 1/2									
	SS-3123 & SS-3124	NPT & PT, PF 1/4	168	152	-	33	(50)	17	(26)	5.5	174
		NPT & PT, PF 3/8									
		NPT & PT, PF 1/2									

*()The measurement in the blanket is approximate.

Test Pressure Gauge

Model No. **SS-3122 Series**

KINS



SS-3122 200mm

Summary

In these days, as the service condition is diverse, the need of measuring high level pressure increases. This gauge is proper for measuring the changes of high levels or for calibrating instrument for general level (level 1.5, 3.0).

Safety Management

- Do not give impact during the transportation, installation and usage.
- Be sure to install the pressure gauge to be horizontal and vertical.
- Avoid places where exist a lot of steam, poisonous gas.

Purpose of Use

- Various laboratories, standard equipment
- Various line such as precision pressure measuring line
- General type, correction of other pressure gauges, for inspection, etc.

Production Specification

- ▶ Diameter
 - 200 mm
- ▶ Accuracy
 - $\pm 0.5\%$ of Full Scale
- ▶ Scale Range
 - 0.1 MPa ~ 100 MPa
 - (※ 1 MPa = 10.19716 kgf/cm²)
- ▶ Working Pressure
 - Static pressure : 75% of Full Scale
 - Fluctuating pressure : 60% of Full Scale
- ▶ Working Temperature
 - Ambient : - 20 ~ 65 °C
 - Fluid : - 20 ~ 80 °C

Product Specification

<p>+ Case</p> <ul style="list-style-type: none"> · Aluminum(Hammer tone coating) 	<p>+ Type</p> <ul style="list-style-type: none"> · B-Type (Surface type) · BD-Type (Panel attachment type) 	<p>+ Element</p> <ul style="list-style-type: none"> · STS 304, STS 316 · C type bourdon tube, helical type bourdon tube
<p>+ Cover</p> <ul style="list-style-type: none"> · Aluminum(Hammer tone coating) 	<p>+ Pointer</p> <ul style="list-style-type: none"> · Aluminum · Black coating 	<p>+ Movement</p> <ul style="list-style-type: none"> · STS 304
<p>+ Connection</p> <ul style="list-style-type: none"> · STS 316 · PF, PT, NPT ↔ 1/2, 3/8 	<p>+ Dial</p> <ul style="list-style-type: none"> · Aluminum · White coating · Black (MPa), red (bar) gradations and characters 	<p>+ Option</p> <ul style="list-style-type: none"> · Throttles · Accessories
<p>+ Window</p> <ul style="list-style-type: none"> · Tempered safety glass, · Laminated safety glass 		

Pressure Gauge

Differential Pressure Gauge & Switch

Accessories of Pressure Gauge

Thermometer & Thermometer Switch

Thermocouple & RTD

Thermowell

Transmitter

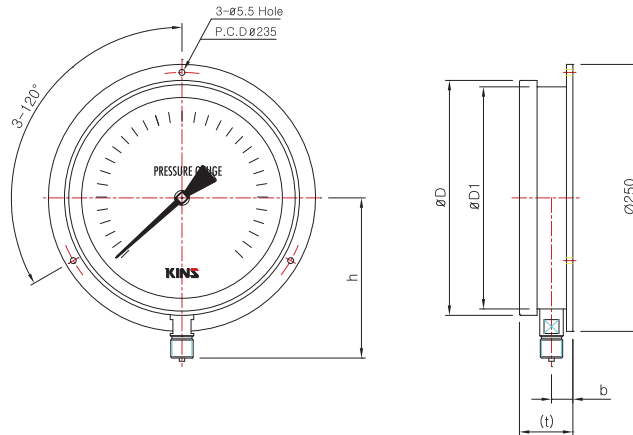
Indicator etc.

Technical data

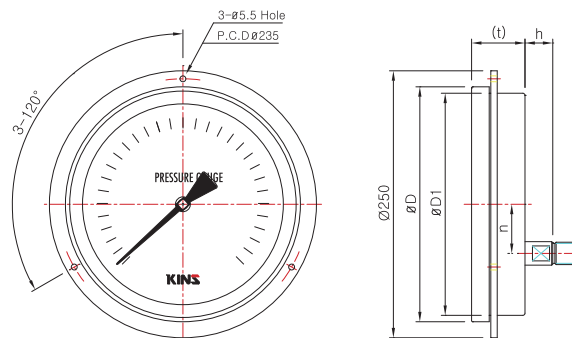
Test Pressure Gauge

Model No. **SS-3122 Series**

Model No. | SS-3122 (200mm) B-Type (Surface type)



Model No. | SS-3124 (200mm) BD-Type (Panel attachment type)



Dimensions (mm)

	Model No.	Conn'h (d)	ØD	ØD1	b	n	t	L2	h	ØC	ØH
200mm	SS-3122	NPT & PT, PF 3/8	220	208	20	-	(58)	17	(130)	5.5	235
		NPT & PT, PF 1/2									
	SS-3124	NPT & PT, PF 3/8	220	208	-	33	(58)	17	(26)	5.5	235
		NPT & PT, PF 1/2									

*()The measurement in the blanket is approximate.

Pressure Gauge

Differential Pressure Gauge & Switch

Accessories of Pressure Gauge

Thermometer & Thermometer Switch

Thermocouple & R.T.D

Thermowell

Transmitter

Indicator, etc.

Technical data

Sanitary Pressure Gauge

Model No. **SS-3131/2 Series**

KINS



SS-3131 100mm



SS-3132 100mm

Summary

This gauge is designed to guarantee the performance and the lifespan of the equipment which measures pressure of fluid which is mixed with powder that has coagulation in chemical industry such as food and various devices and lines for sanitation, etc. It also guarantees the performance and the lifespan when measuring fluid which has high corrosiveness.

Safety Management

- Do not give impact during transportation, installation and usage
- Be sure to install the pressure gauge to be horizontal and vertical

Purpose of Use

- Food processor, tank
- Fluid with high viscosity, high temperature, high pressure

Production Specification

- ▶ Diameter
 - 100 mm
- ▶ Accuracy
 - $\pm 1.0\%$ of Full Scale
- ▶ Scale Range
 - SS-3131 : $-0.1 \text{ MPa} \sim 2 \text{ MPa}$, $0 \sim 10 \text{ MPa}$
 - SS-3132 : $15 \sim 70 \text{ MPa}$
 - (※ $1 \text{ MPa} = 10,19716 \text{ kgf/cm}^2$)
- ▶ Working Pressure
 - Static pressure : 75% of Full Scale
 - Fluctuating pressure : 60% of Full Scale
- ▶ Working Temperature
 - Ambient : $-20 \sim 65 \text{ }^\circ\text{C}$
 - Fluid : $-20 \sim 80 \text{ }^\circ\text{C}$

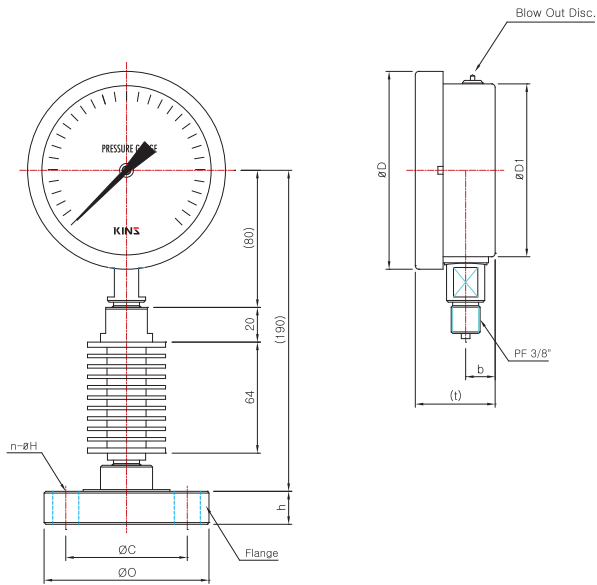
Product Specification

- | | | |
|---|---|---|
| <ul style="list-style-type: none"> + Case <ul style="list-style-type: none"> · STS 304 + Cover <ul style="list-style-type: none"> · STS 304 · Slip-on-Fit + Under Flange <ul style="list-style-type: none"> · STS 304, STS 316 + Type <ul style="list-style-type: none"> · 3131(A)-Type (Heatsink type) · 3132(A)-Type (I type) | <ul style="list-style-type: none"> + Connection <ul style="list-style-type: none"> · STS 316 · See the flange standard table(SS-3131) · See the product drawing(SS-3132) + Window <ul style="list-style-type: none"> · Tempered safety glass, · Laminated safety glass + Pointer <ul style="list-style-type: none"> · Aluminum · Black coating | <ul style="list-style-type: none"> + Dial <ul style="list-style-type: none"> · Aluminum · White coating · Black (MPa), red (bar) gradations and characters + Element <ul style="list-style-type: none"> · STS 304, STS 316 · C type bourdon tube + Movement <ul style="list-style-type: none"> · STS 304 + Diaphragm <ul style="list-style-type: none"> · STS 304, STS 316 |
|---|---|---|

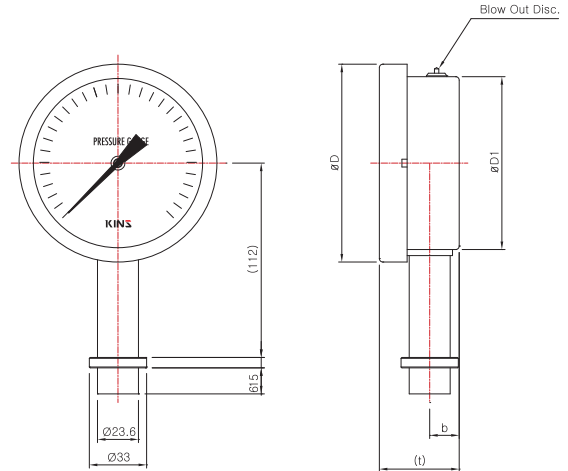
Sanitary Pressure Gauge

Model No. **SS-3131/2 Series**

Model No. | **SS-3131 (100mm)**
Heatsink type



Model No. | **SS-3132 (100mm)**
I type



Dimensions (mm)

Model No.	ØD	ØD1	b	t	JIS 10kgf/cm ²	ØO	ØC	n-ØH	h	ANSI CLASS #150	ØO	ØC	n-ØH	h
SS-3131	114	100	17	(46)	15A	95	70	4-Ø15	22	1/2B	89	60.3	4-Ø16	21.5
					20A	100	75	4-Ø15	24	3/4B	98	69.9	4-Ø16	23.0
					25A	125	90	4-Ø19	24	1B	108	79.4	4-Ø16	24.5
					32A	135	100	4-Ø19	26	1 1/4B	117	88.9	4-Ø16	26.0
					40A	140	105	4-Ø19	26	1 1/2B	127	98.4	4-Ø16	27.5
					50A	155	120	4-Ø19	26	2B	152	120.6	4-Ø19	29.5

Model No.	ØD	ØD1	b	t
SS-3132	114	100	17	(46)

*()The measurement in the blanket is approximate.

Pressure Gauge

Differential Pressure Gauge & Switch

Accessories of Pressure Gauge

Thermometer & Thermometer Switch

Thermocouple & RTD

Thermowell

Transmitter

Indicator, etc.

Technical data

Sanitary Pressure Gauge

Model No. **SS-3133/4 Series**

KINS



SS-3133 100mm



SS-3134 100mm

Summary

This gauge is designed to guarantee the performance and the life span of the equipment which measures low temperature in case when measuring fluid which is mixed with powder that has coagulation in pressure measurement in chemical industry or when corrosiveness is very high.

Safety Management

- Do not give impact during the transportation, installation and usage.
- Be sure to install pressure gauge to be horizontal and vertical.

Purpose of Use

- Food processor, tank
- Fluid with high viscosity, temperature, pressure

Production Specification

- ▶ Diameter
 - 100 mm
- ▶ Accuracy
 - $\pm 1.0\%$ of Full Scale
- ▶ Scale Range
 - SS-3133 : $-0.1 \text{ MPa} \sim 2 \text{ MPa}$, $0 \sim 10 \text{ MPa}$
 - SS-3134 : $-0.1 \sim 0.3 + 2 \text{ MPa}$, $0 \sim 10 \text{ MPa}$
 - (※ 1 MPa = 10,19716 kgf/cm²)
- ▶ Working Pressure
 - Static pressure : 75% of Full Scale
 - Fluctuating pressure : 60% of Full Scale
- ▶ Working Temperature
 - Ambient : $-20 \sim 80 \text{ }^\circ\text{C}$
 - Fluid : $-20 \sim 80 \text{ }^\circ\text{C}$

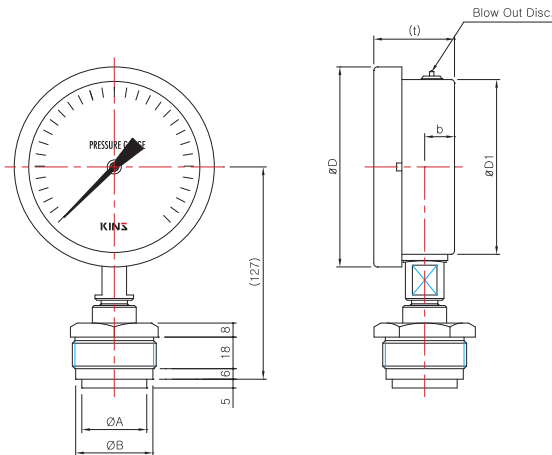
Product Specification

<ul style="list-style-type: none"> + Case <ul style="list-style-type: none"> · STS 304 + Cover <ul style="list-style-type: none"> · STS 304 · Slip-on-Fit + Flange <ul style="list-style-type: none"> · STS 304, STS 316 + Type <ul style="list-style-type: none"> · 3133(A)-Type (Male screw portable type) · 3134(A)-Type (Flange portable type) 	<ul style="list-style-type: none"> + Connection <ul style="list-style-type: none"> · STS 316 · PF \leftrightarrow 1 1/4, PF 1 1/2(SS-3133) · See the flange standard table(SS-3134) + Window <ul style="list-style-type: none"> · Tempered safety glass, · Laminated safety glass + Pointer <ul style="list-style-type: none"> · Aluminum · Black coating 	<ul style="list-style-type: none"> + Dial <ul style="list-style-type: none"> · Aluminum · White coating · Black (MPa), red (bar) gradations and characters + Element <ul style="list-style-type: none"> · STS 304, STS 316 · C type bourdon tube + Movement <ul style="list-style-type: none"> · STS 304 + Diaphragm <ul style="list-style-type: none"> · STS 304, STS 316
--	---	---

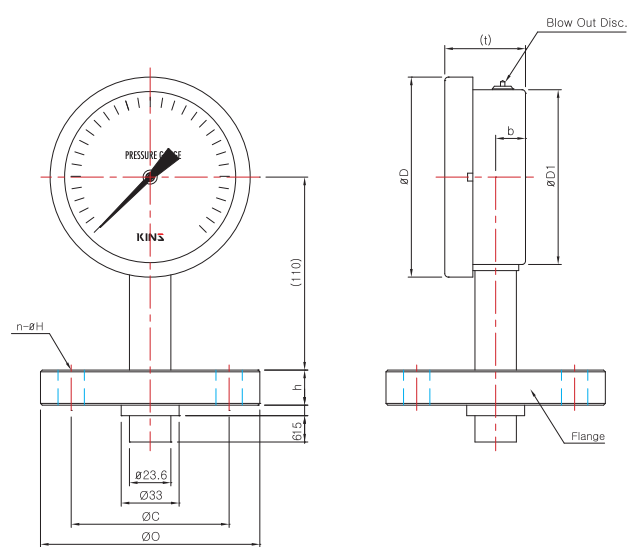
Sanitary Pressure Gauge

Model No. SS-3133/4 Series

Model No. | SS-3133 (100mm)
Male screw portable type



Model No. | SS-3134 (100mm)
Flange portable type



Dimensions (mm)

Model No.	Conn'n (d)	ØD	ØD1	b	t	h	ØA	ØB	L	M
SS-3133	PF 1 1/4	114	100	17	(46)	(127)	33	38.7	46	(53.1)
	PF 1 1/2							44.2	50	(57.7)

Model No.	ØD	ØD1	b	t	JIS 10kgf/cm ²	ØO	ØC	n-ØH	h	ANSI CLASS #150	ØO	ØC	n-ØH	h
SS-3134	114	100	15	(46)	15A	95	70	4-Ø15	22	1/2B	89	60.3	4-Ø16	21.5
					20A	100	75	4-Ø15	24	3/4B	98	69.9	4-Ø16	23.0
					25A	125	90	4-Ø19	24	1B	108	79.4	4-Ø16	24.5
					32A	135	100	4-Ø19	26	1 1/4B	117	88.9	4-Ø16	26.0
					40A	140	105	4-Ø19	26	1 1/2B	127	98.4	4-Ø16	27.5
					50A	155	120	4-Ø19	26	2B	152	120.6	4-Ø19	29.5

*()The measurement in the blanket is approximate.

Pressure Gauge

Differential Pressure Gauge & Switch

Accessories of Pressure Gauge

Thermometer & Thermometer Switch

Thermocouple & R.T.D

Thermowell

Transmitter

Indicator etc.

Technical data

Sanitary Pressure Gauge

Model No. **SS-3135/6 Series**

KINS



SS-3135 100mm



SS-3136 100mm

Summary

This gauge is designed to guarantee the performance and the lifespan of the equipment which measures pressure of fluid which is mixed with powder that has coagulation in chemical industry such as food and various devices and lines for sanitation, etc. It also guarantees the performance and the lifespan when measuring fluid which has high corrosiveness.

Safety Management

- Do not give impact during transportation, installation and usage
- Be sure to install the pressure gauge to be vertical and horizontal

Purpose of Use

- Food processor, tank
- Fluid with high viscosity, temperature, pressure

Production Specification

- ▶ Diameter
 - 100 mm
- ▶ Accuracy
 - $\pm 1.0\%$ of Full Scale
- ▶ Scale Range
 - SS-3135 : $-0.1 + 0.2$ MPa \sim 2 MPa, 0 \sim 10 MPa
 - SS-3136 : 15 \sim 70 MPa
 - (※ 1 MPa = 10,19716 kgf/cm²)
- ▶ Working Pressure
 - Static pressure : 75% of Full Scale
 - Fluctuating pressure : 60% of Full Scale
- ▶ Working Temperature
 - Ambient : $-20 \sim 80$ °C
 - Fluid : $-20 \sim 80$ °C

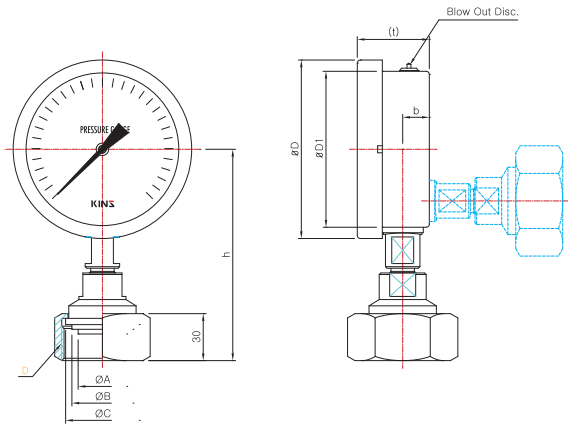
Product Specification

- | | | |
|--|---|--|
| <ul style="list-style-type: none"> + Case <ul style="list-style-type: none"> · STS 304 + Cover <ul style="list-style-type: none"> · STS 304 · Slip-on-Fit + Type <ul style="list-style-type: none"> · 3135(A)-Type (Female screw type) · 3136(A)-Type (Jig type) + Connection <ul style="list-style-type: none"> · STS 316 · IDF & DIN 1 1/2S, 2S, 2 1/2S, 3S : Female(SS-3135) · See the drawing of product(SS-3136) | <ul style="list-style-type: none"> + Window <ul style="list-style-type: none"> · Tempered safety glass, Laminated safety glass + Pointer <ul style="list-style-type: none"> · Aluminum · Black coating + Dial <ul style="list-style-type: none"> · Aluminum · White coating · Black (MPa), red (bar) gradations and characters + Element <ul style="list-style-type: none"> · STS 304, STS 316 · C type bourdon tube | <ul style="list-style-type: none"> + Movement <ul style="list-style-type: none"> · STS 304 + Diaphragm <ul style="list-style-type: none"> · STS 304, STS 316 |
|--|---|--|

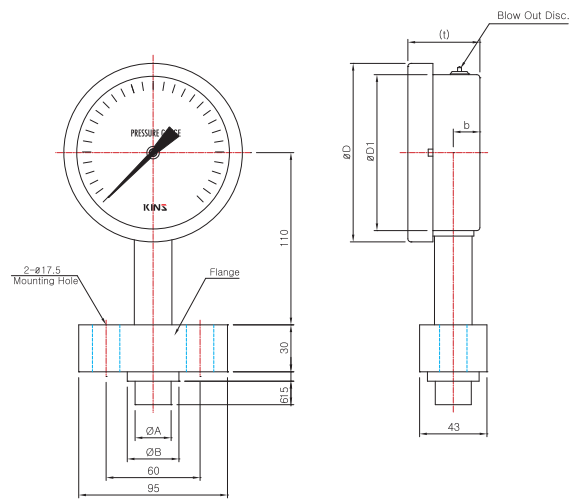
Sanitary Pressure Gauge

Model No. **SS-3135/6 Series**

Model No. | **SS-3135 (100mm)**
Female screw type



Model No. | **SS-3136 (100mm)**
Jig type



Dimensions (mm)

Model No.	Conn'n (d)	ØD	ØD1	b	t	h	ØA	ØB	ØC	L	M
SS-3135	1 1/2 S	114	100	17	(46)	(127)	35	43	47	61	(70.4)
	2 S						47	56	60	76	(87.7)
	2 1/2 S						58	69.7	74	91	(105)
	3 S						70	82.6	87.5	106.5	(122.9)

Model No.	ØD	ØD1	b	t	ØA	ØB
SS-3136	114	100	17	(46)		

*()The measurement in the blanket is approximate.

Pressure Gauge

Differential Pressure Gauge & Switch

Accessories of Pressure Gauge

Thermometer & Thermometer Switch

Thermocouple & R.T.D

Thermowell

Transmitter

Indicator etc.

Technical data

Sanitary Pressure Gauge

Model No. **SS-3137/8 Series**

KINS



SS-3137 100mm



SS-3138 100mm

Summary

This gauge is designed to guarantee the performance and the lifespan of the equipment which measures pressure of fluid which is mixed with powder that has coagulation in chemical industry such as food and various devices and lines for sanitation, etc. It also guarantees the performance and the lifespan when measuring fluid which has high corrosiveness.

Safety Management

- Do not give impact during transportation, installation and usage
- Be sure to install the pressure gauge to be vertical and horizontal

Purpose of Use

- Food processor, tank
- Fluid with high viscosity, temperature, pressure

Production Specification

- ▶ Diameter
 - 100 mm
- ▶ Accuracy
 - $\pm 1.0\%$ of Full Scale
- ▶ Scale Range
 - SS-3137 : $-0.1 \sim 0.3 \text{ MPa} + 2 \text{ MPa}$ 0 $\sim 3.5 \text{ MPa}$
 - SS-3138 : $-0.1 \sim 2 \text{ MPa}$, 0 $\sim 10 \text{ MPa}$
(※ 1 MPa = 10.19716 kgf/cm²)
- ▶ Working Pressure
 - Static pressure : 75% of Full Scale
 - Fluctuating pressure : 60% of Full Scale
- ▶ Working Temperature
 - Ambient : $-20 \sim 80 \text{ }^\circ\text{C}$
 - Fluid : $-20 \sim 80 \text{ }^\circ\text{C}$

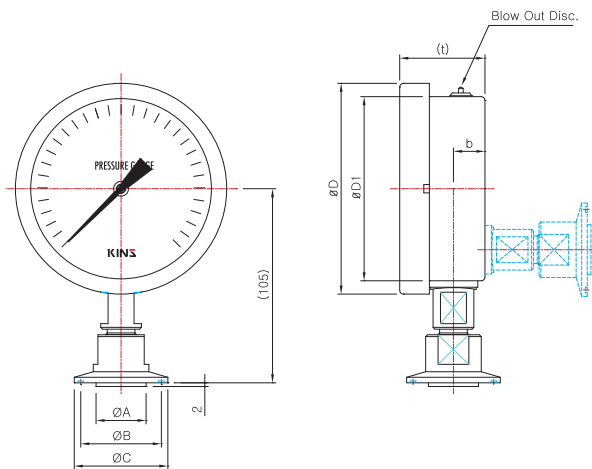
Product Specification

- | | | |
|--|---|--|
| <ul style="list-style-type: none"> + Case <ul style="list-style-type: none"> · STS 304 + Cover <ul style="list-style-type: none"> · STS 304 · Slip-on-Fit + Type <ul style="list-style-type: none"> · 3137(A)-Type (Clamp type) · 3138(A)-Type (Male screw stationary type) + Connection <ul style="list-style-type: none"> · STS 316 · Clamp : 1 S, 1 1/2S, 2S, 2 1/2S, 3S, 4S (SS-3137) · IDF & DIN 1 1/2S, 2S, 2 1/2S, 3S : Male(SS-3138) | <ul style="list-style-type: none"> + Window <ul style="list-style-type: none"> · Tempered safety glass, · Laminated safety glass + Pointer <ul style="list-style-type: none"> · Aluminum · Black coating + Dial <ul style="list-style-type: none"> · Aluminum · White coating · Black (MPa), red (bar) gradations and characters + Element <ul style="list-style-type: none"> · STS 304, STS 316 · C type bourdon tube | <ul style="list-style-type: none"> + Movement <ul style="list-style-type: none"> · STS 304 + Diaphragm <ul style="list-style-type: none"> · STS 304, STS 316 |
|--|---|--|

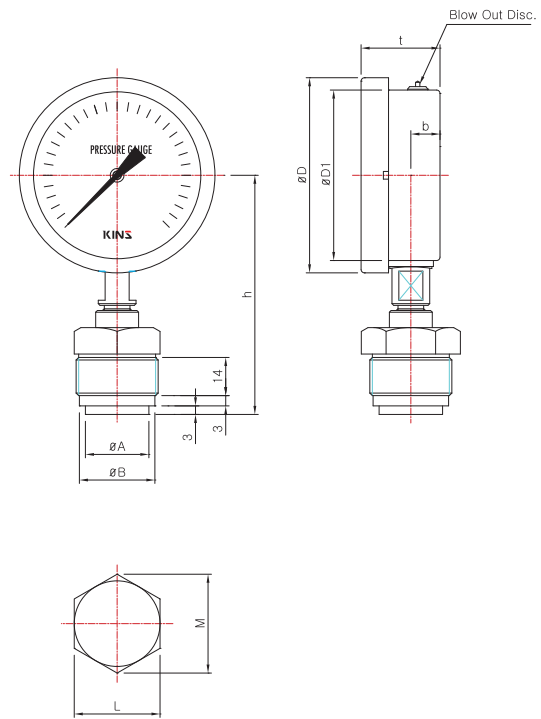
Sanitary Pressure Gauge

Model No. SS-3137/8 Series

Model No. | SS-3137 (100mm)
Clamp type



Model No. | SS-3138 (100mm)
Male screw stationary type



Dimensions (mm)

Model No.	Conn'n (d)	ØD	ØD1	b	t	h	ØA	ØB	ØC
SS-3137	1 S	114	100	17	(46)	(105)	33	43,5	50,5
	1 1/2 S						33	43,5	50,5
	2 S						47	46,5	64
	2 1/2 S						58	70,5	78
	3 S						70	83,5	91
	4 S						98	110	119

Model No.	Conn'n (d)	ØD	ØD1	b	t	h	ØA	ØB
SS-3138	1 1/2 S	114	100	17	(46)	(105)	33	43
	2 S						47	56
	2 1/2 S						58	69,7
	3 S						70	82,6

*()The measurement in the blanket is approximate.

Pressure Gauge

Differential Pressure Gauge & Switch

Accessories of Pressure Gauge

Thermometer & Thermometer Switch

Thermocouple & R.T.D

Thermowell

Transmitter

Indicator etc.

Technical data

Sanitary Pressure Gauge

Model No. **SS-3139 Series**

KINS



SS-3139 100mm

Summary

This gauge is designed to guarantee the performance and the lifespan of the equipment which measures pressure of fluid which is mixed with powder that has coagulation in chemical industry such as food and various devices and lines for sanitation, etc. It also guarantees the performance and the lifespan when measuring fluid which has high corrosiveness.

Safety Management

- Do not give impact during transportation, installation and usage
- Be sure to install the pressure gauge to be vertical and horizontal

Purpose of Use

- Food processor, tank
- Fluid with high viscosity, temperature, pressure

Production Specification

- ▶ Diameter
 - 100 mm
- ▶ Accuracy
 - $\pm 1.0\%$ of Full Scale
- ▶ Scale Range
 - $- 0.1 \sim 0.3 \text{ MPa} + 2 \text{ MPa}, 0 \sim 10 \text{ MPa}$
 - (※ $1 \text{ MPa} = 10.19716 \text{ kgf/cm}^2$)
- ▶ Working Pressure
 - Static pressure : 75% of Full Scale
 - Fluctuating pressure : 60% of Full Scale
- ▶ Working Temperature
 - Ambient : $- 20 \sim 80 \text{ }^\circ\text{C}$
 - Fluid : $- 20 \sim 80 \text{ }^\circ\text{C}$

Product Specification

<ul style="list-style-type: none"> + Case <ul style="list-style-type: none"> · STS 304 	<ul style="list-style-type: none"> + Window <ul style="list-style-type: none"> · Tempered safety glass, Laminated safety glass 	<ul style="list-style-type: none"> + Element <ul style="list-style-type: none"> · STS 304, STS 316 · C type bourdon tube
<ul style="list-style-type: none"> + Cover <ul style="list-style-type: none"> · STS 304 · Slip-on-Fit 	<ul style="list-style-type: none"> + Pointer <ul style="list-style-type: none"> · Aluminum · Black coating 	<ul style="list-style-type: none"> + Movement <ul style="list-style-type: none"> · STS 304
<ul style="list-style-type: none"> + Type <ul style="list-style-type: none"> · 3139(A)-Type (Flange stationary type) 	<ul style="list-style-type: none"> + Dial <ul style="list-style-type: none"> · Aluminum · White coating · Black (MPa), red (bar) gradations and characters 	<ul style="list-style-type: none"> + Diaphragm <ul style="list-style-type: none"> · STS 304, STS 316 · Able to produce titanium, tantalum, hastelloy, etc.
<ul style="list-style-type: none"> + Connection <ul style="list-style-type: none"> · STS 316 · See flange standard table 		

Pressure Gauge

Differential Pressure Gauge & Switch

Accessories of Pressure Gauge

Thermometer & Thermometer Switch

Thermocouple & RTD

Thermowell

Transmitter

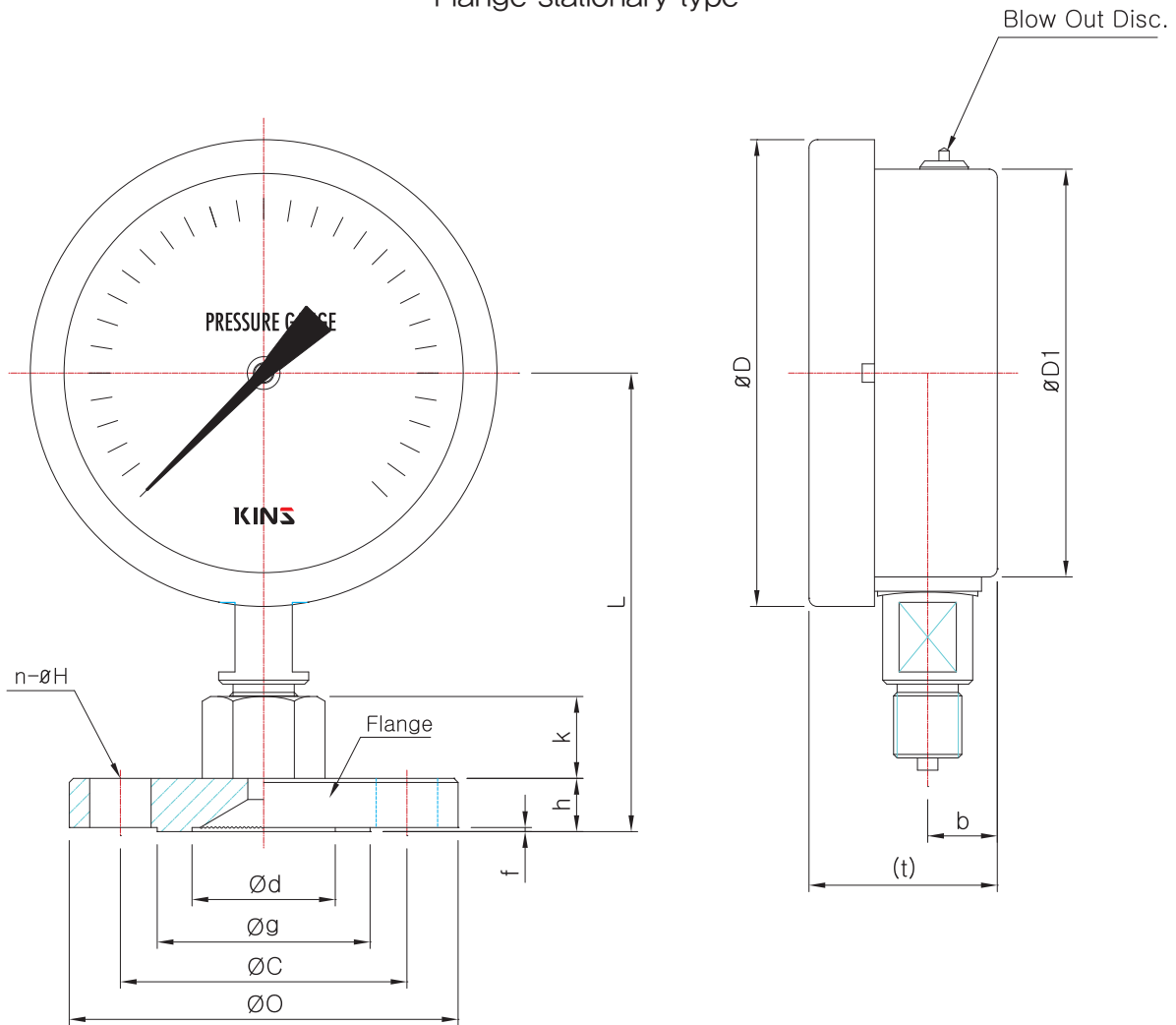
Indicator etc.

Technical data

Sanitary Pressure Gauge

Model No. **SS-3139 Series**

Model No. | **SS-3139 (100mm)**
Flange stationary type



Dimensions (mm)

Model No.	ØD	ØD1	b	t	JIS 10kgf/cm ² (Type)	Flange						Diaphragm Diameter Ød	k	L	
						O	C	g	f	h	n-ØH				
SS-3139	114	100	17	(46)	10A	90	65	48	1	12	4-15	35	20	106	
					15A	95	70	52	1	12	4-15	35	20	106	
					20A	100	75	58	1	14	4-15	35	47	20	108
					25A	125	90	70	1	14	4-19	35	47	50	138
					32A	135	100	80	2	16	4-19	35	47	50	140
					40A	140	105	85	2	16	4-19	35	47	50	140
					50A	155	120	100	2	16	4-19	47	50	140	
					65A	175	140	120	2	18	4-19	58	50	142	
					80A	185	150	130	2	18	4-19	70	50	142	
					100A	210	175	155	2	18	8-19	100	50	142	

*()The measurement in the blanket is approximate.

Differential Pressure Gauge (with Contact)

Model No. **SS-3301 Series**

KINS



SS-3301

[The utility model registration] 20-0435022

Summary

This gauge has L (low pressure side) and H (high pressure side) in pressure access port. By indicating the differential of pressure (differential pressure) of 2 places, it is able to measure the differential pressure and by using that, able to measure liquid level and flux too.

Safety Management

- Be sure to install a protecting device where exist abrupt change of pressure, vibration and pulsation.
- Do not give impact during the transportation, installation and usage.
- Be sure to install pressure gauge to be horizontal and vertical.
 - ※ - Caution: If internal pressure on only one side of accessing port is put, it might get damage.
 - Must use 3-WAY VALVE

Purpose of Use

- Measure the influx of pipe line using orifice as a differential pressure type flow meter
- Measure sealed tank's liquid level as a differential pressure liquid level meter.
- Application line of potential difference of pressure, etc

Production Specification

- ▶ Diameter
 - 100, 150mm
- ▶ Accuracy
 - ±1.5% of Full Scale
- ▶ Scale Range
 - 5 ~ 50 kPa, 0 ~ 1 MPa
- ▶ Working Pressure
 - Static pressure : 75% of Full Scale
 - Fluctuating pressure : 60% of Full Scale
- ▶ Working Temperature
 - Ambient : - 20 ~ 80 °C
 - Fluid : - 20 ~ 80 °C
- ▶ Degree of Protection
 - IP65

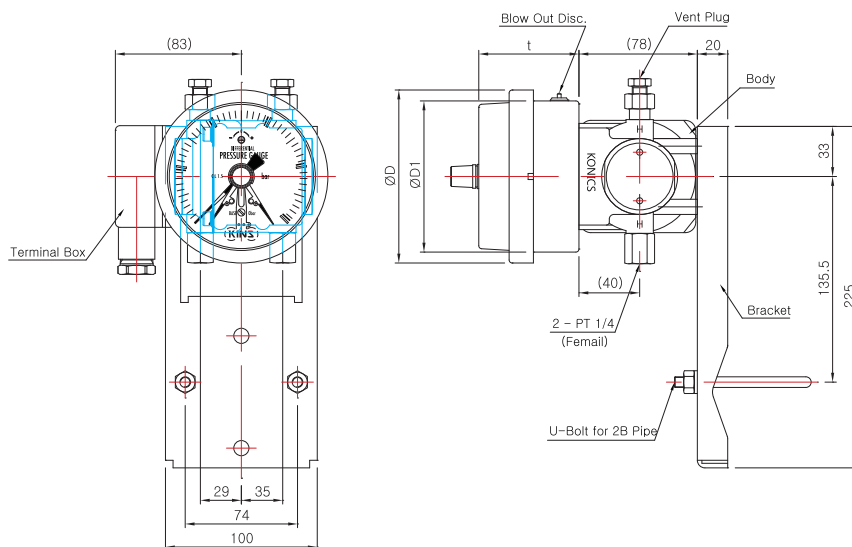
Product Specification

<ul style="list-style-type: none"> + Case <ul style="list-style-type: none"> · STS 304 + Cover <ul style="list-style-type: none"> · STS 304 + Connection <ul style="list-style-type: none"> · STS 316 · PT ↔ 1/4(Female) + Window <ul style="list-style-type: none"> · Poly-carbonate 	<ul style="list-style-type: none"> + Pointer <ul style="list-style-type: none"> · Aluminum · Black coating + Dial <ul style="list-style-type: none"> · Aluminum · White coating · Black (MPa), red (bar) gradations and characters + Bellows(Element) <ul style="list-style-type: none"> · STS304, STS316 + Movement <ul style="list-style-type: none"> · STS 304 	<ul style="list-style-type: none"> + Connecting method <ul style="list-style-type: none"> · U-Bolt for 2B Pipe + Base Pressure <ul style="list-style-type: none"> · 5 MPa + Contact rating <ul style="list-style-type: none"> · AC 125V 0.5A / 250V 0.25A · DC 24V 0.25A + Option <ul style="list-style-type: none"> · 3-Way or 5-Way Manifold valve · Accessories
--	--	--

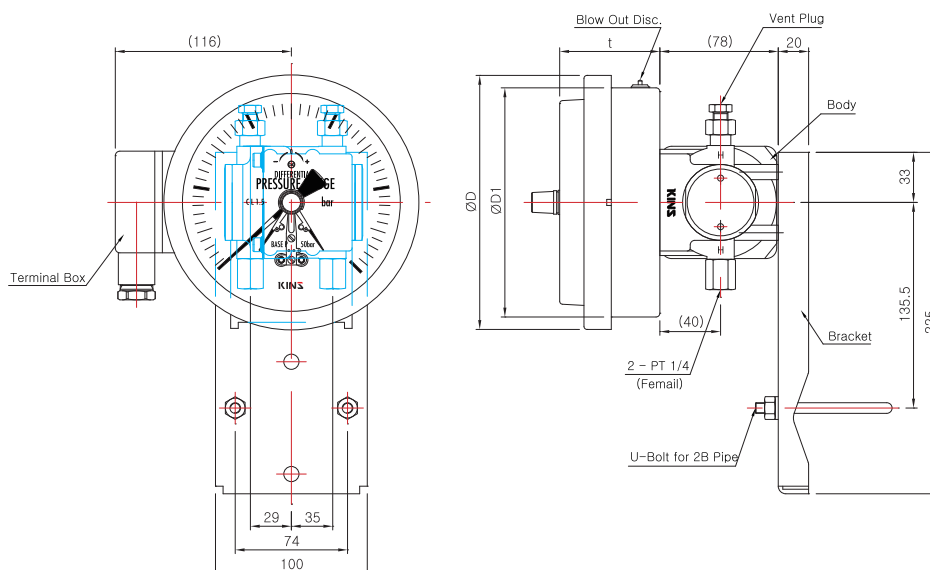
Differential Pressure Gauge (with Contact)

Model No. **SS-3301 Series**

Model No. | SS-3301 (100mm) Bracket For 2B Pipe Type



Model No. | SS-3301 (150mm) Bracket For 2B Pipe Type



Dimensions (mm)

Model No.	Con'n (d)	$\varnothing D$	$\varnothing D1$	t
SS-3301-100	PT 1/4 (Femal)	114	100	(66)
SS-3301-150		168	152	(66)

*()The measurement in the blanket is approximate.

Pressure Gauge

Differential Pressure Gauge & Switch

Accessories of Pressure Gauge

Thermometer & Thermometer Switch

Thermocouple & R.T.D

Thermowell

Transmitter

Indicator etc.

Technical data

Differential Pressure Gauge

Model No. **SS-3302 Series**

KINS



SS-3302

[The utility model registration] 20-0435022

Summary

This gauge has L (low pressure side) and H (high pressure side) in pressure access port. By indicating the differential of pressure (differential pressure) of 2 places, it is able to measure the differential pressure and by using that, it is able to measure liquid level and flux too.

Safety Management

- Be sure to install a protecting device where exist abrupt change of pressure, vibration and pulsation.
- Do not give impact during the transportation, installation and usage.
- Be sure to install pressure gauge to be horizontal and vertical.
 - ※ - Caution: If internal pressure on only one side of accessing port is put, it might get damage.
 - Must use 3-WAY VALVE

Purpose of Use

- Measure the influx of pipe line using orifice as a differential pressure type flow meter
- Measure sealed tank's liquid level as a differential pressure liquid level meter.
- Application line of potential difference of pressure, etc

Production Specification

- ▶ Diameter
 - 100, 150mm
- ▶ Accuracy
 - ±1.5% of Full Scale
- ▶ Scale Range
 - 5 ~ 50 kPa, 0 ~ 1 MPa
- ▶ Working Pressure
 - Static pressure : 75% of Full Scale
 - Fluctuating pressure : 60% of Full Scale
- ▶ Working Temperature
 - Ambient : - 20 ~ 65 °C
 - Fluid : - 20 ~ 80 °C
- ▶ Degree of Protection
 - IP65

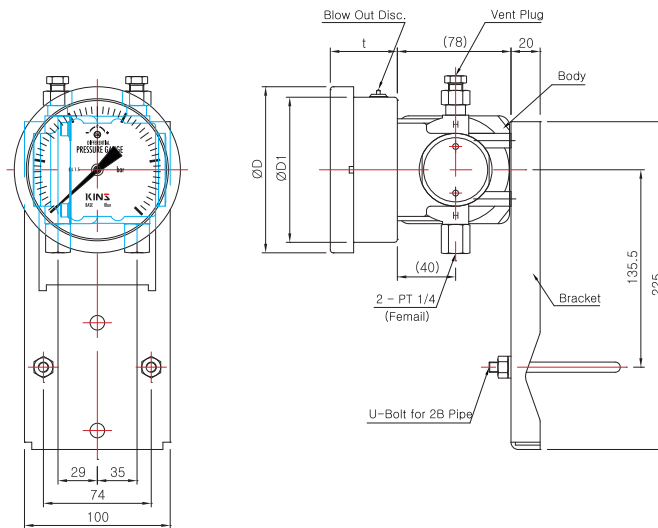
Product Specification

<ul style="list-style-type: none"> + Case <ul style="list-style-type: none"> · STS 304 + Cover <ul style="list-style-type: none"> · STS 304 + Connection <ul style="list-style-type: none"> · STS 316 · PT ↔ 1/4(Female) + Window <ul style="list-style-type: none"> · Tempered safety glass, · Laminated safety glass 	<ul style="list-style-type: none"> + Pointer <ul style="list-style-type: none"> · Aluminum · Black coating + Dial <ul style="list-style-type: none"> · Aluminum · White coating · Black (MPa), red (bar) gradations and characters + Bellows(Element) <ul style="list-style-type: none"> · STS304, STS316 	<ul style="list-style-type: none"> + Movement <ul style="list-style-type: none"> · STS 304 + Connecting method <ul style="list-style-type: none"> · U-Bolt for 2B Pipe + Base Pressure <ul style="list-style-type: none"> · 5 MPa + Option <ul style="list-style-type: none"> · 3-Way or 5-Way Manifold Valve · Accessories
--	---	--

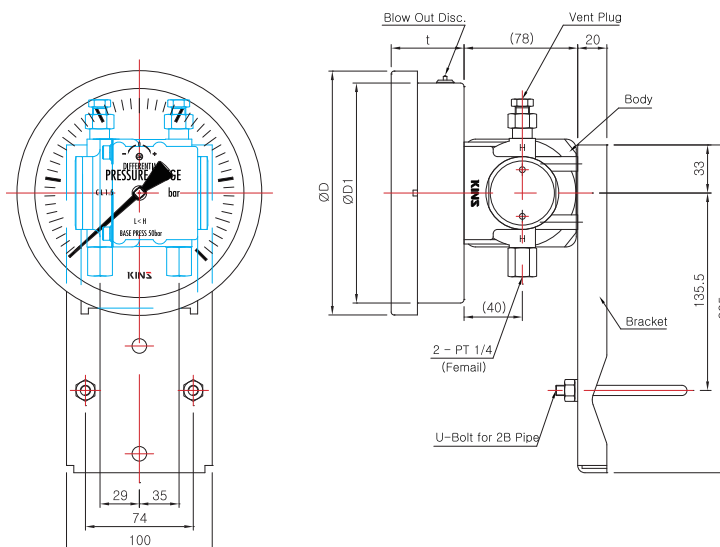
Differential Pressure Gauge

Model No. SS-3302 Series

Model No. | SS-3302 (100mm) Bracket For 2B Pipe Type



Model No. | SS-3302 (150mm) Bracket For 2B Pipe Type



Dimensions (mm)

Model No.	Con'n (d)	ØD	ØD1	t
SS-3302-100	PT 1/4 (Female)	114	100	(46)
SS-3302-150		168	152	(50)

* () The measurement in the blanket is approximate.

Pressure Gauge

Differential Pressure Gauge & Switch

Accessories of Pressure Gauge

Thermometer & Thermometer Switch

Thermocouple & R.T.D

Thermowell

Transmitter

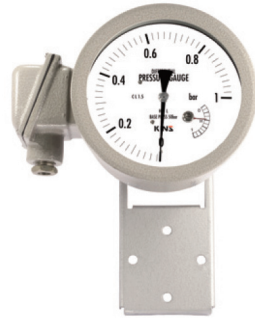
Indicator, etc.

Technical data

Differential Pressure Gauge (with Micro Switch)

Model No. **KDG-17 Series**

KINS



KDG- 17

Summary

This gauge has a pressure inlet port. The pressure inlet port measures the differential pressure between low pressure side and high pressure side. It also measures warning liquid level of a tank, etc. It is proper in measuring high pressure and corrosive fluid.

Safety Management

- Be sure to install a protecting device where exist abrupt change of pressure, vibration and pulsation.
- Do not give impact during the transportation, installation and usage.
- Be sure to install pressure gauge to be horizontal and vertical.
- Do not use it over than the limitation of switch capacity.

Purpose of Use

- Indicating, warning, controlling of tank level.
- Influx indicating, warning, controlling which applied the pressure differential of orifice line.
- Indicating, warning and controlling of differential pressure of both end sides' filter.

Production Specification

- ▶ **Diameter**
 - 150mm
- ▶ **Accuracy**
 - Grade : $\pm 1.5\%$ of Full Scale
 - Repeatability : $\pm 1.0\%$ of Adj Range
 - Dead Band : $\pm 4.0\%$
- ▶ **Scale Range**
 - 5 ~ 50 kPa, 0 ~ 1 MPa
 - ($\times 1 \text{ MPa} = 10,19716 \text{ kgf/cm}^2$)
- ▶ **Base Press**
 - 5 MPa
- ▶ **Working Pressure**
 - Static pressure : 75% of Full Scale
 - Fluctuating pressure : 60% of Full Scale
- ▶ **Working Temperature**
 - Ambient : $-20 \sim 65^\circ\text{C}$
 - Fluid : $-20 \sim 80^\circ\text{C}$

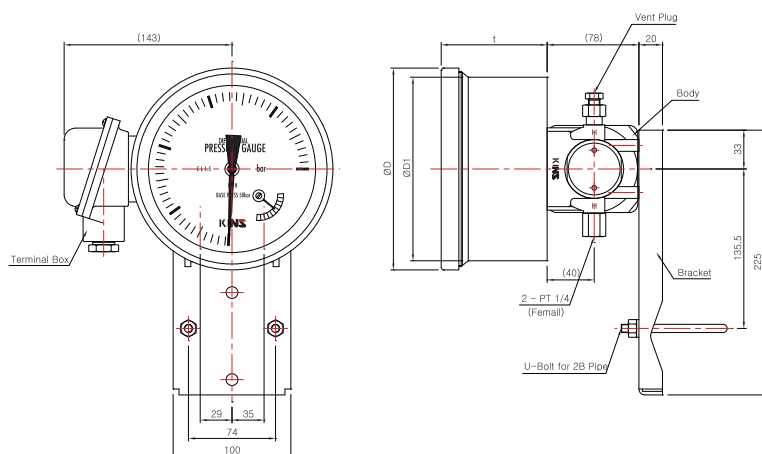
Product Specification

- | | | |
|---|---|---|
| <ul style="list-style-type: none"> + Case <ul style="list-style-type: none"> · Aluminum(Hammer tone coating) + Case Structure <ul style="list-style-type: none"> · Weather Proof + Cover <ul style="list-style-type: none"> · Aluminum (Hammer tone coating) · Body : STS 304, STS 316 + Connection <ul style="list-style-type: none"> · STS 316 · PT \leftrightarrow 1/4(Female) + Window <ul style="list-style-type: none"> · Tempered safety glass, · Laminated safety glass | <ul style="list-style-type: none"> + Pointer <ul style="list-style-type: none"> · Aluminum · Black coating + Dial <ul style="list-style-type: none"> · Aluminum · White coating · Black gradation and characters + Contact rating <ul style="list-style-type: none"> · AC 125V 5A / 250V 3A · DC 30V 4A / 125V 0.4A / 250V 0.2A + Bellows(Element) <ul style="list-style-type: none"> · STS 316 | <ul style="list-style-type: none"> + Movement <ul style="list-style-type: none"> · STS 304 + Contact Form <ul style="list-style-type: none"> · Micro Contact Type · SPDT * 1, SPDT * 2 (High, Low, High & High High & Low, Low & Low) + Option <ul style="list-style-type: none"> · 3-Way or 5-Way Manifold Valve · Accessories |
|---|---|---|

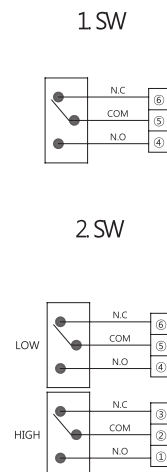
Differential Pressure Gauge (with Micro Switch)

Model No. KDG-17 Series

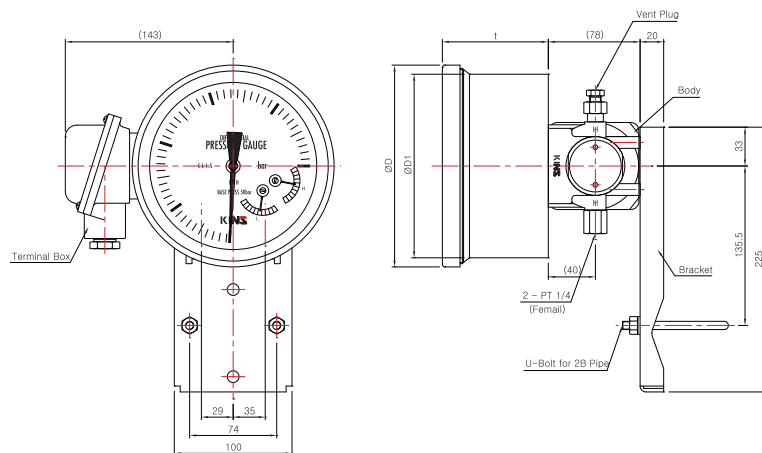
Model No. | KDG- 17 (1P) Bracket For 2B Pipe Type



Connection diagram



Model No. | KDG- 17 (2P) Bracket For 2B Pipe Type



Dimensions (mm)

Model No.	Con'n (d)	ØD	ØD1	t
KDG-17 (1P)	PT 1/4 (Female)	172	156	(90)
KDG-17 (2P)				(117)

*()The measurement in the blanket is approximate.

Pressure Gauge

Differential Pressure Gauge & Switch

Accessories of Pressure Gauge

Thermometer & Thermometer Switch

Thermocouple & R.T.D

Thermowell

Transmitter

Indicator etc.

Technical data

Differential Pressure Gauge

Model No. **MAGNETIC 2000 Series**

KINS



MAGNETIC 2000

[The Patent] 0291603

Summary

This gauge has L (low pressure side) and H (high pressure side) in pressure access port. By indicating the differential of pressure (differential pressure) of 2 places, it is able to measure the differential pressure and by using that, able to measure liquid level and flux too.
 ※Able to check whether the filter has blocked.

Safety Management

- Be sure to install a protecting device where exist abrupt change of pressure, vibration and pulsation.
- Do not give impact during the transportation, installation and usage.
- Be sure to install pressure gauge to be horizontal and vertical.

Purpose of Use

- Measuring differential pressure of air filter
- Application line for differential pressure

Production Specification

- ▶ Diameter
 - 100mm
- ▶ Accuracy
 - $\pm 2.0\%$ of Full Scale
- ▶ Scale Range
 - $-0.25 \sim 0.25 \text{ kPa} \sim -10 \sim 10 \text{ kPa}, 0 \sim 50 \text{ kPa}$
 - (※ 1 kPa = 101.9716 mmH₂O)
- ▶ Working Pressure
 - Static pressure : 75% of Full Scale
 - Fluctuating pressure : 60% of Full Scale
- ▶ Working Temperature
 - Ambient : $-10 \sim 60 \text{ }^\circ\text{C}$

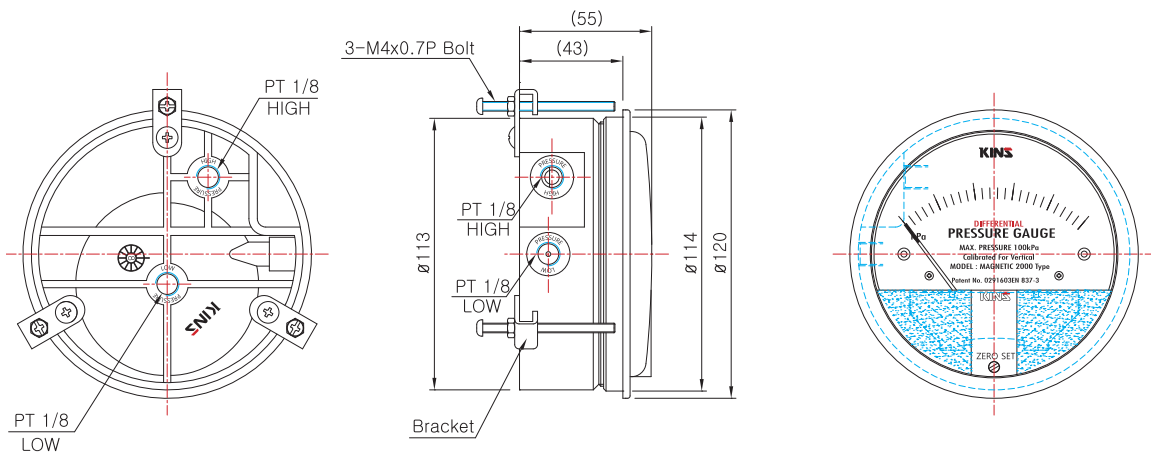
Product Specification

<p>+ Case</p> <ul style="list-style-type: none"> · Aluminum(Hammer tone coating) 	<p>+ Window</p> <ul style="list-style-type: none"> · Poly Carbonate 	<p>+ Element</p> <ul style="list-style-type: none"> · Silicon Rubber, NBR
<p>+ Cover</p> <ul style="list-style-type: none"> · Aluminum(Hammer tone coating) 	<p>+ Pointer</p> <ul style="list-style-type: none"> · Aluminum · Pointer : Red color 	<p>+ Base Pressure</p> <ul style="list-style-type: none"> · 0.1 MPa
<p>+ Connection</p> <ul style="list-style-type: none"> · PT ↔ 1/8(Female) 	<p>+ Dial</p> <ul style="list-style-type: none"> · Aluminum · White coating · Black gradation and characters 	
<p>+ Type</p> <ul style="list-style-type: none"> · BD-Type (Panel attachment type-Bracket) 		

Differential Pressure Gauge

Model No. **MAGNETIC 2000 Series**

Model No. | **M - 2000**
Bracket Type



Pressure Gauge

Differential Pressure Gauge & Switch

Accessories of Pressure Gauge

Thermometer & Thermometer Switch

Thermocouple & R.T.D

Thermowell

Transmitter

Indicator etc.

Technical data

Differential Pressure Gauge (with Switch)

Model No. **MAGNETIC 2010 Series**

KINS



MAGNETIC 2010

Summary

This gauge has a structure like MAGNETIC 2000 MODEL with contact signal. Therefore, it produces a warning signal by sending it to buzzer, bell, polot-lamp

Safety Management

- Be sure to install a protecting device where exist abrupt change of pressure, vibration and pulsation.
- Do not give impact during the transportation, installation and usage.
- Be sure to install pressure gauge to be horizontal and vertical.
- Do not use it over than the limitation of switch capacity.

Purpose of Use

- Indicating, warning and controlling of differential pressure of air filter line such as dust collector, etc.
- Indicating, warning and controlling of differential pressure of differential pressure application line.
- Indicating, warning and controlling of extremely low pressure, vacuum and compound pressure line.

Production Specification

- ▶ Diameter
 - 100mm
- ▶ Accuracy
 - $\pm 2.0\%$ of Full Scale
- ▶ Scale Range
 - $-0.25 \sim 0.25 \text{ kPa} \sim -10 \sim 10 \text{ kPa}$, $0 \sim 50 \text{ kPa}$
($\times 1 \text{ kPa} = 101.9716 \text{ mmH}_2\text{O}$)
- ▶ Working Pressure
 - Static pressure : 75% of Full Scale
 - Fluctuating pressure : 60% of Full Scale
- ▶ Working Temperature
 - Ambient : $-10 \sim 60 \text{ }^\circ\text{C}$

Product Specification

<p>+ Case</p> <ul style="list-style-type: none"> · Aluminum(Hammer tone coating) 	<p>+ Window</p> <ul style="list-style-type: none"> · Poly Carbonate 	<p>+ Element</p> <ul style="list-style-type: none"> · Silicon Rubber, NBR
<p>+ Cover</p> <ul style="list-style-type: none"> · Aluminum(Hammer tone coating) 	<p>+ Pointer</p> <ul style="list-style-type: none"> · Aluminum · Pointer : Red color, Green color 	<p>+ Base Pressure</p> <ul style="list-style-type: none"> · 0.1 MPa
<p>+ Connection</p> <ul style="list-style-type: none"> · PT \leftrightarrow 1/8(Female) 	<p>+ Dial</p> <ul style="list-style-type: none"> · Aluminum · White coating · Black gradation and characters 	<p>+ Switch</p> <ul style="list-style-type: none"> · Type : 2-SPDT (2 contact) · Capacity of switch : 220V AC 10A · Set up method : exterior · Dead band : below 4 % of the total range
<p>+ Type</p> <ul style="list-style-type: none"> · BD-Type (Panel attachment type-Bracket) 		

Differential Pressure Gauge

Model No. **MAGNETIC 3000 Series**

KINS



MAGNETIC 3000

Summary

This gauge has L (low pressure side) and H (high pressure side) in pressure access port. By indicating the differential of pressure (differential pressure) of 2 places, it is able to measure the differential pressure and by using that, able to measure liquid level and flux too.
※Able to check whether the filter has blocked.

Safety Management

- Be sure to install a protecting device where exist abrupt change of pressure, vibration and pulsation.
- Do not give impact during the transportation, installation and usage.
- Be sure to install pressure gauge to be horizontal and vertical.

Purpose of Use

- Measuring of differential pressure of air filter
- Application line for differential pressure
- Gas filter, filter line

Production Specification

- ▶ **Diameter**
 - 50mm, 80mm, 100mm
- ▶ **Accuracy**
 - $\pm 2.0\%$ of Full Scale
- ▶ **Scale Range**
 - 50kPa ~ 400kPa
 - (※ 1 kPa = 0.01 bar)
- ▶ **Working Pressure**
 - Static pressure : 75% of Full Scale
 - Fluctuating pressure : 60% of Full Scale
- ▶ **Working Temperature**
 - Ambient : $-10 \sim 60$ °C

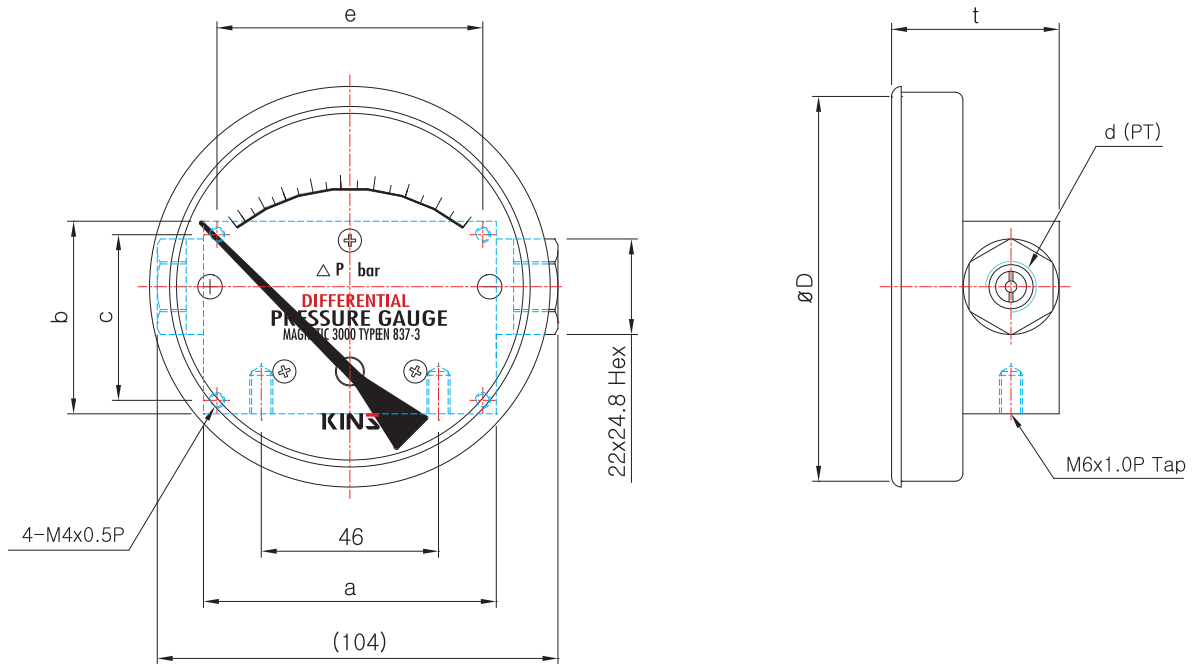
Product Specification

- | | | |
|--|---|--|
| + Case <ul style="list-style-type: none">· STS 304 | + Window <ul style="list-style-type: none">· General glass | + Base Pressure <ul style="list-style-type: none">· Aluminum : 2MPa |
| + Cover <ul style="list-style-type: none">· Rubber | + Pointer <ul style="list-style-type: none">· Aluminum· Pointer : Black color | |
| + Connection <ul style="list-style-type: none">· Aluminum· PT ↔ 1/4 (2×Female) | + Dial <ul style="list-style-type: none">· Aluminum· White coating· Black, red gradations and characters | |

Differential Pressure Gauge

Model No. MAGNETIC 3000 Series

Model No. | M-3000 Direct Type



Dimensions (mm)

Model No.	Conn'n (d)	ØD	a	b	c	e	t
M-3000-50	PT 1/4	51	76	50	43	69	(43)
M-3000-80		80					
M-3000-100		101					

*()The measurement in the blanket is approximate.

Pressure Gauge

Differential Pressure Gauge & Switch

Accessories of Pressure Gauge

Thermometer & Thermometer Switch

Thermocouple & R.T.D

Thermowell

Transmitter

Indicator etc.

Technical data

Differential Pressure Gauge (with Electric Contact)

Model No. **MAGNETIC 3010 Series**

KINS



MAGNETIC 3010

Summary

This gauge has L (low pressure side) and H (high pressure side) in pressure access port. By indicating the differential of pressure (differential pressure) of 2 places, it is able to measure the differential pressure and by using that, able to measure liquid level and flux too.
※Able to check whether the filter has blocked.

Safety Management

- Be sure to install a protecting device where exist abrupt change of pressure, vibration and pulsation.
- Do not give impact during the transportation, installation and usage.
- Be sure to install pressure gauge to be horizontal and vertical.

Purpose of Use

- Measuring of differential pressure of air filter
- Application line for differential pressure
- Gas filter, filter line

Production Specification

- ▶ **Diameter**
 - 50mm, 80mm, 100mm
- ▶ **Accuracy**
 - $\pm 2.0\%$ of Full Scale
- ▶ **Scale Range**
 - 50kPa ~ 400kPa
 - (※ 1 kPa = 0.01 bar)
- ▶ **Working Pressure**
 - Static pressure : 75% of Full Scale
 - Fluctuating pressure : 60% of Full Scale
- ▶ **Working Temperature**
 - Ambient : -10 ~ 60 °C

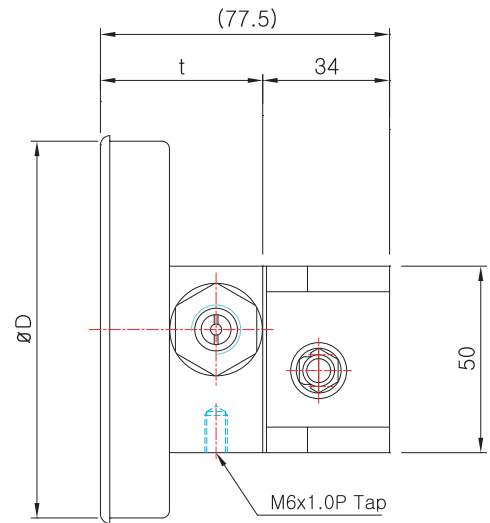
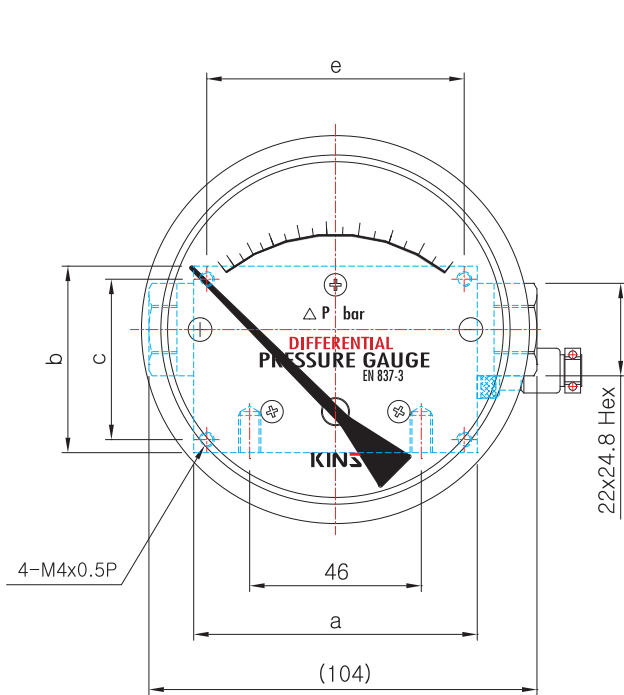
Product Specification

<ul style="list-style-type: none"> + Case <ul style="list-style-type: none"> · STS 304 + Cover <ul style="list-style-type: none"> · Rubber + Connection <ul style="list-style-type: none"> · Aluminum · PT ↔ 1/4 (2×Female) + Window <ul style="list-style-type: none"> · General glass 	<ul style="list-style-type: none"> + Pointer <ul style="list-style-type: none"> · Aluminum · Pointer : Black color + Dial <ul style="list-style-type: none"> · Aluminum · White coating · Black, red gradations and characters + Element <ul style="list-style-type: none"> · Viton 	<ul style="list-style-type: none"> + Base Pressure <ul style="list-style-type: none"> · Aluminum : 2MPa + Contact Form <ul style="list-style-type: none"> · SPST * 1 · High (High 1 contact), Low (Low 1 contact)
--	---	--

Differential Pressure Gauge (with Electric Contact)

Model No. **MAGNETIC 3010 Series**

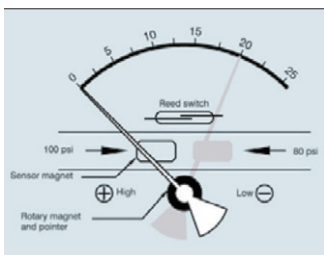
Model No. | **M-3010**
Direct Type



Dimensions (mm)

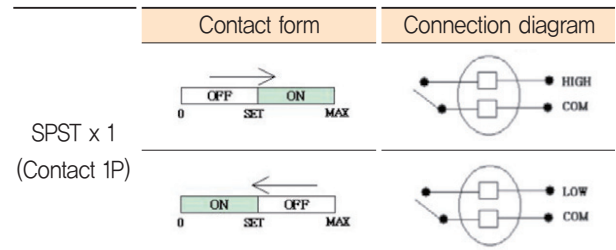
Model No.	Conn'n (d)	ØD	a	b	c	e	t
M-3010-50	PT 1/4	51	76	50	43	69	(43)
M-3010-80		80					
M-3010-100		101					

*()The measurement in the blanket is approximate.



Switch : Reed switches are located adjacent to the pressure chamber and are activated by the magnetic field. Mount the instrument at least 50 mm away from ferro magnetic surfaces, else calibration may be shifted. Standard instruments are not suitable for oxygen service.

General contact



Explosion-Protected Pressure Indicating Switch

Model No. KCD-21 Series

KINS



KCD-21

[Explosion-protected of protection] Ex d IIC T4

Summary

This gauge is an internal explosion-proof type of pressure switch for prevention of explosion of plants, etc. The advantage is that it is easy to set the contact from outside as a switch.

Safety Management

- Do not give impact during transportation, installation and usage.
- Be sure to install the equipment to be horizontal and vertical.
- Do not use it over the capacity of the switch (the standard is under AC 220V 15A)

Purpose of Use

- Indicating, warning, controlling of pipe pressure in explosion district
- Indicating, warning, controlling of LNG, LPG plant's pressure
- Indicating, warning, controlling of chemical industry plant which has the possibility of explosion.

Production Specification

- ▶ Accuracy
 - Grade : $\pm 1.5\%$ of Full Scale
 - Repeatability : $\pm 1.0\%$ of Adj Range
 - Dead Band : $\pm 4.0\%$
- ▶ Scale Range
 - $-0.1 \sim 2\text{MPa}$, $0 \sim 35\text{MPa}$
 - ($\times 1\text{MPa} = 10.19716\text{ kgf/cm}^2$)
- ▶ Working Pressure
 - Static pressure : 75% of Full Scale
 - Fluctuating pressure : 60% of Full Scale
- ▶ Working Temperature
 - Ambient : $-20 \sim 65^\circ\text{C}$
 - Fluid : $-20 \sim 80^\circ\text{C}$
- ▶ Explosion-Protected of Protection
 - Ex d IIC T4

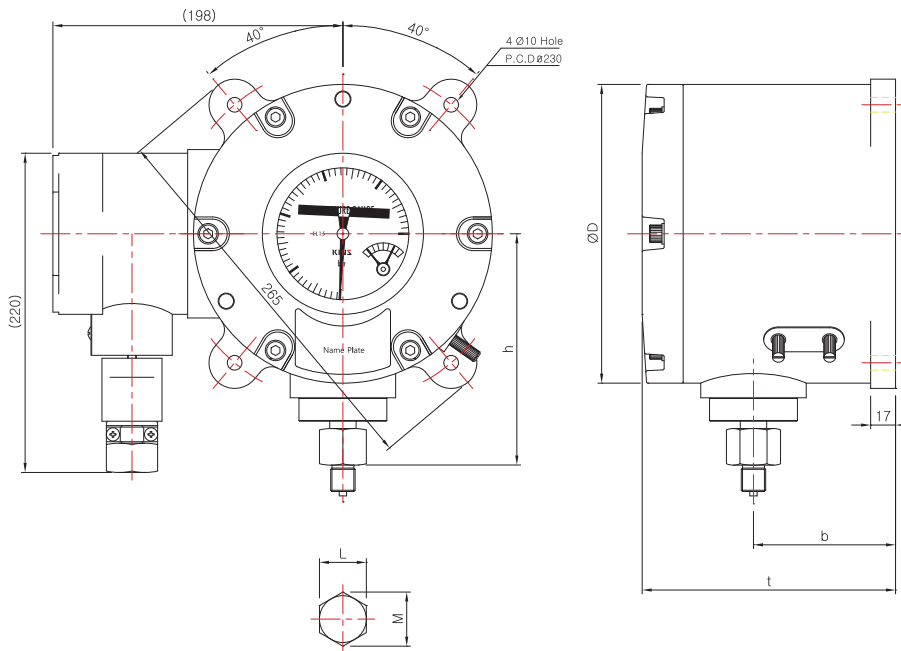
Product Specification

<p>+ Case</p> <ul style="list-style-type: none"> · Aluminum(Hammer tone coating) 	<p>+ Contact rating</p> <ul style="list-style-type: none"> · AC 125V, 250V 15A · DC 30V 2A / 125V 0.4A / 250V 0.2A 	<p>+ Movement</p> <ul style="list-style-type: none"> · STS 304
<p>+ Cover</p> <ul style="list-style-type: none"> · Aluminum(Hammer tone coating) 	<p>+ Pointer</p> <ul style="list-style-type: none"> · Aluminum · Pointer black coating · High Pointer : Red color · Low Pointer : Black color 	<p>+ Contact Form</p> <ul style="list-style-type: none"> · SPDT * 1, SPDT * 2 (High, Low, High & High High & Low, Low & Low)
<p>+ Connection</p> <ul style="list-style-type: none"> · STS 316 · PF, PT, NPT \leftrightarrow 1/2 	<p>+ Bourdon tube(Element)</p> <ul style="list-style-type: none"> · STS 304, STS 316 	<p>+ Option</p> <ul style="list-style-type: none"> · Diaphragm Seal · Cable Gland · Accessories
<p>+ Window</p> <ul style="list-style-type: none"> · Tempered safety glass 		

Explosion-Protected Pressure Indicating Switch

Model No. KCD-21 Series

Model No. | KCD-21



Dimensions (mm)

Model No.	Conn'n (d)	ØD	b	t	L	M	h
KCD-21	NPT & PT, PF 1/2	204	97	(170)	32	(36.9)	(156)

*()The measurement in the blanket is approximate.

Connection diagram



Explosion-Protected Pressure Gauge with Contact(Small Type)

Model No. **KCD-22 Series**

KINS



KCD-22

[Explosion-protected of protection] Ex d IIC T4

Summary

This gauge is to prevent explosion disaster of plants, etc. It is an internal explosion-proof type of pressure switch. In places where combustible gas or liquid exist at petro chemistry, chemical fiber factory, be sure to use a pressure gauge which is internal explosion-proof type as an electric device.

Safety Management

- Be sure to install a protecting device where exist abrupt change of pressure, vibration and pulsation.
- Do not give impact during the transportation, installation and usage.
- Be sure to install pressure gauge to be horizontal and vertical.

Purpose of Use

- Indicating and warning of piping pressure in explosion district.
- Indicating and warning of the pressure at LNG, LPG plant
- Indicating and warning of chemical industry plant which has the possibility of explosion.

Production Specification

- ▶ Diameter
 - 100 mm
- ▶ Accuracy
 - ±1.0% of Full Scale
- ▶ Scale Range
 - - 0.1 ~ 2 MPa, 0 ~ 35 MPa, 5 ~ 50 kPa
 - (※ 1 MPa = 10,19716 kgf/cm²)
 - Others also can be made up
- ▶ Working Pressure
 - Static pressure : 75% of Full Scale
 - Fluctuating pressure : 60% of Full Scale
- ▶ Working Temperature
 - Ambient : - 20 ~ 65°C
 - Fluid : - 20 ~ 80°C
- ▶ Explosion-Protected of Protection
 - Ex d IIC T4

Product Specification

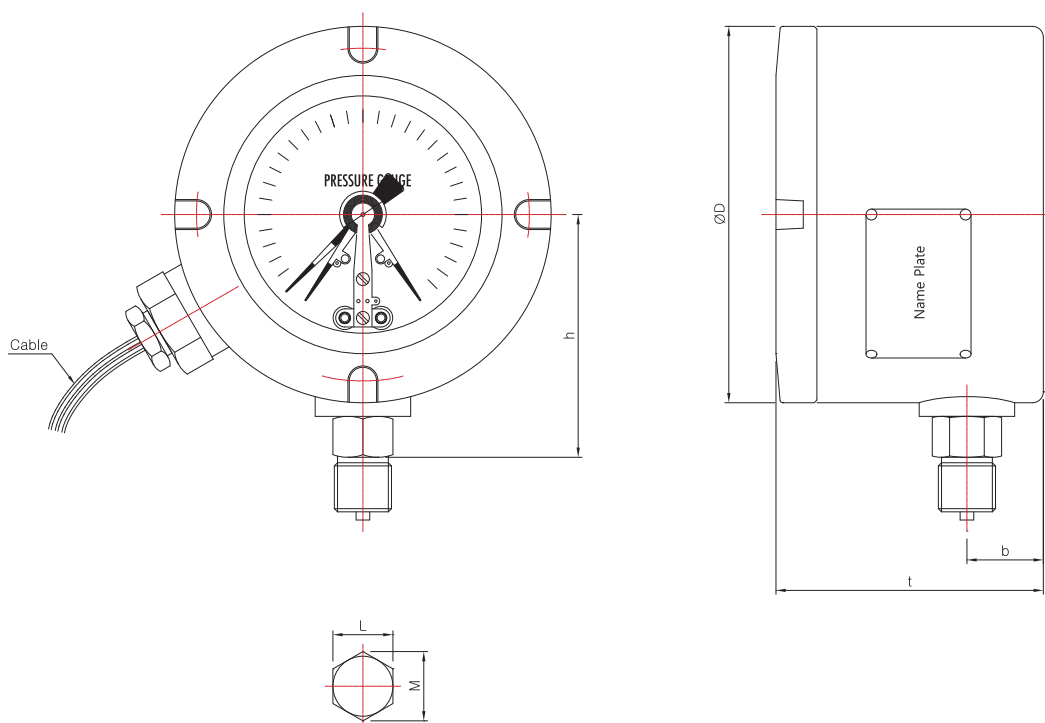
- | | | |
|---|---|---|
| <ul style="list-style-type: none"> + Case <ul style="list-style-type: none"> · Aluminum(Hammer tone coating) + Cover <ul style="list-style-type: none"> · Aluminum(Hammer tone coating) + Connection <ul style="list-style-type: none"> · STS 316 · PF, PT, NPT ↔ 1/2, 3/8 + Window <ul style="list-style-type: none"> · Tempered safety glass | <ul style="list-style-type: none"> + Contact rating <ul style="list-style-type: none"> · AC 125V 0.5A / 250V 0.25A · DC 24C 0.25A + Pointer <ul style="list-style-type: none"> · Aluminum · Pointer black coating · High Pointer : Red color · Low Pointer : Green color + Dial <ul style="list-style-type: none"> · Aluminum · White coating · Black gradation and characters | <ul style="list-style-type: none"> + Bellows & Bourton tube (Element) <ul style="list-style-type: none"> · STS304, STS316 + Movement <ul style="list-style-type: none"> · STS 304 + Contact Form <ul style="list-style-type: none"> · SPDT * 1, SPDT * 2 (High, Low, High & High High & Low, Low & Low) + Option <ul style="list-style-type: none"> · Throttles · Accessories |
|---|---|---|

Pressure Gauge
 Differential Pressure Gauge & Switch
 Accessories of Pressure Gauge
 Thermometer & Thermometer Switch
 Thermocouple & R.T.D
 Thermowell
 Transmitter
 Indicator etc.
 Technical data

Explosion-Protected Pressure Gauge with Contact(Small Type)

Model No. KCD-22 Series

Model No. | KCD-22 A-Type (Rimless type)

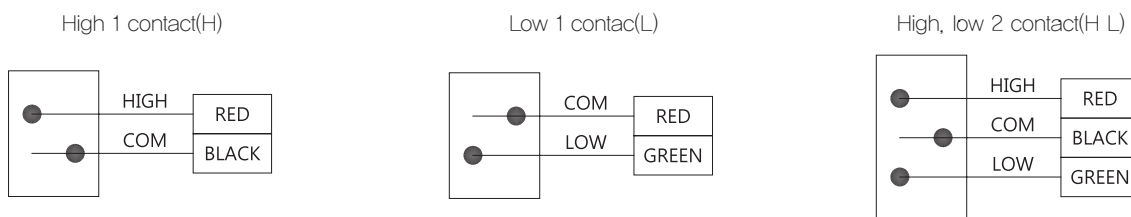


Dimensions (mm)

Model No.	Conn'n (d)	ØD	b	t	L	M	h
KCD-22	NPT & PT, PF 3/8	138	30	(100)	22	(25.4)	(98)
	NPT & PT, PF 1/2						

*()The measurement in the blanket is approximate.

Connection diagram



Explosion-Protected Pressure Gauge with Contact(Small Type)

Model No. **KCD-23 Series**

KINS



KCD-23

[Explosion-protected of protection] Ex d IIC T4

Summary

This gauge is to prevent explosion disaster of plants, etc. It is an internal explosion-proof type of pressure switch. In places where combustible gas or liquid exist at petrochemistry or chemical fiber factory, be sure to use a pressure gauge which is an internal explosion-proof type as an electric device.

Safety Management

- Be sure to install a protecting device where exist abrupt change of pressure, vibration and pulsation.
- Do not give impact during the transportation, installation and usage.
- Be sure to install pressure gauge to be horizontal and vertical.

Purpose of Use

- Indicating and warning of piping pressure in explosion district.
- Indicating and warning of the pressure at LNG, LPG plant
- Indicating and warning of chemical industry plant which has the possibility of explosion.

Production Specification

- ▶ Diameter
 - 100 mm
- ▶ Accuracy
 - ±1.0% of Full Scale
- ▶ Scale Range
 - - 0.1 ~ 2 MPa, 0 ~ 35 MPa, 5 ~ 50 kPa
 - MPa (※ 1 MPa = 10.19716 kgf/cm²)
 - Others also can be made up
- ▶ Working Pressure
 - Static pressure : 75% of Full Scale
 - Fluctuating pressure : 60% of Full Scale
- ▶ Working Temperature
 - Ambient : - 20 ~ 65°C
 - Fluid : - 20 ~ 80°C
- ▶ Explosion-Protected of Protection
 - Ex d IIC T4

Product Specification

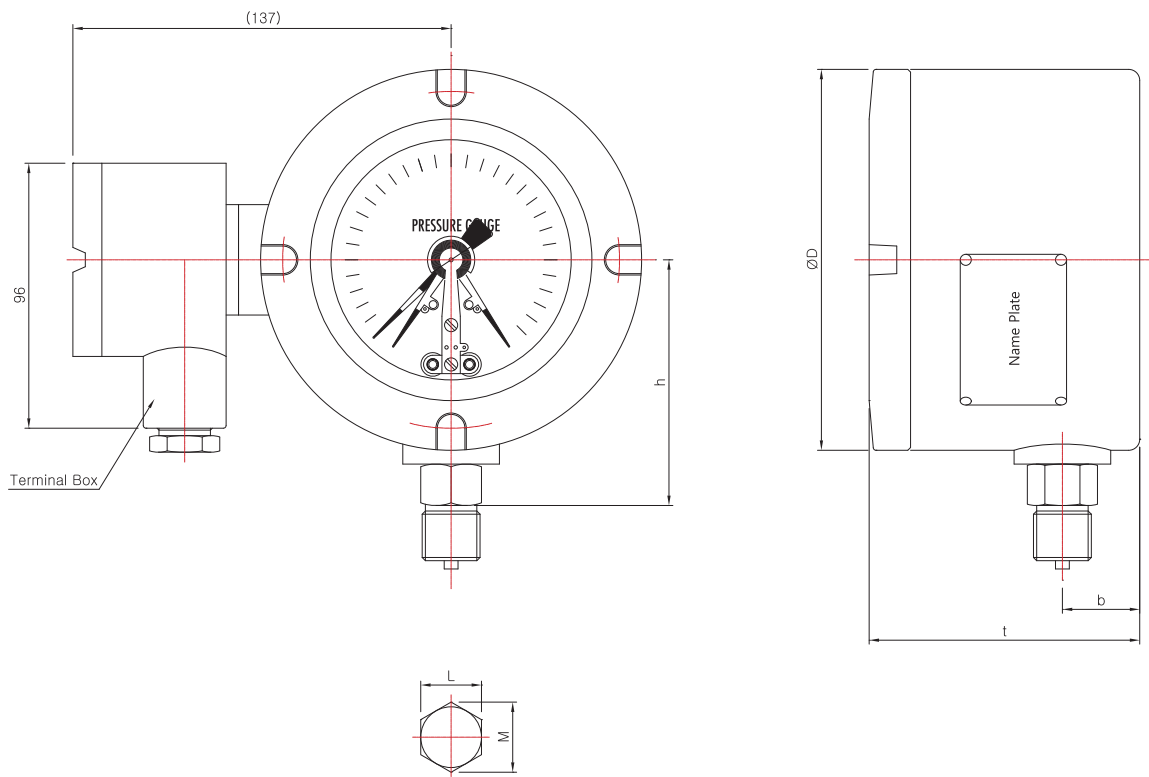
- | | | |
|--|---|---|
| <ul style="list-style-type: none"> + Case <ul style="list-style-type: none"> · Aluminum(Hammer tone coating) + Cover <ul style="list-style-type: none"> · Aluminum(Hammer tone coating) + Connection <ul style="list-style-type: none"> · STS 316 · PF, PT, NPT ↔ 1/2, 3/8 + Window <ul style="list-style-type: none"> · Tempered safety glass, | <ul style="list-style-type: none"> + Contact rating <ul style="list-style-type: none"> · AC 125V 0.5A / 250V 0.25A · DC 24C 0.25A + Pointer <ul style="list-style-type: none"> · Aluminum · Pointer black coating · High Pointer : Red color · Low Pointer : Green color + Dial <ul style="list-style-type: none"> · Aluminum · White coating · Black gradation and characters | <ul style="list-style-type: none"> + Bellows & Bourton tube (Element) <ul style="list-style-type: none"> · STS304, STS316 + Movement <ul style="list-style-type: none"> · STS 304 + Contact Form <ul style="list-style-type: none"> · SPDT * 1, SPDT * 2 (High, Low, High & High High & Low, Low & Low) + Option <ul style="list-style-type: none"> · Throttles · Accessories |
|--|---|---|

Pressure Gauge
 Differential Pressure Gauge & Switch
 Accessories of Pressure Gauge
 Thermometer & Thermometer Switch
 Thermocouple & RTD
 Thermowell
 Transmitter
 Indicator etc.
 Technical data

Explosion-Protected Pressure Gauge with Contact(Small Type)

Model No. KCD-23 Series

Model No. | KCD-23 A-Type (Rimless type)



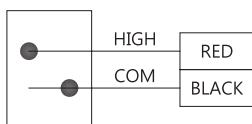
Dimensions (mm)

Model No.	Conn'n (d)	ØD	b	t	L	M	h
KCD-23	NPT & PT, PF 3/8	138	30	(100)	22	(25.4)	(90)
	NPT & PT, PF 1/2						

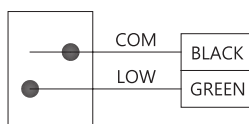
*()The measurement in the blanket is approximate.

Connection diagram

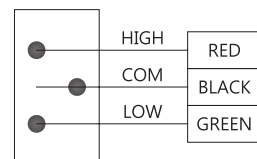
High 1 contact(H)



Low 1 contact(L)



High, Low 2 contact(H & L)



Explosion-Protected Pressure Switch

Model No. **KCD-30 Series**



KCD-30

[Explosion-protected of protection] Ex d IIC T4

Summary

This gauge is a diaphragm type and applied to the change of processing line. The micro switch located inside the gauge works according to various fluid and pressure of atmosphere.

Safety Management

- Do not give impact during the transportation, installation and usage.
- Be sure to install pressure gauge to be horizontal and vertical.
- Do not use it over the capacity of the switch (the standard is under AC 220V 15A)

Purpose of Use

- Indicating and warning of piping pressure in explosion district.
- Indicating and warning of the pressure at LNG, LPG plant
- Indicating and warning of chemical industry plant which has the possibility of explosion.

Production Specification

- ▶ **Pointer Type**
 - No indication
- ▶ **Accuracy**
 - Repeatability : $\pm 1.0\%$ of Adj Range
 - Dead Band : $\pm 4.0\%$
- ▶ **Scale Range**
 - 0.5kPa ~ 50kPa
 - (※ 1 kPa = 101.9716 mm H₂O)
- ▶ **Working Pressure**
 - Static pressure : 75% of Full Scale
 - Fluctuating pressure : 60% of Full Scale
- ▶ **Working Temperature**
 - Ambient : - 20 ~ 65°C
 - Fluid : - 20 ~ 80°C
- ▶ **Explosion-Protected of Protection**
 - Ex d IIC T4

Product Specification

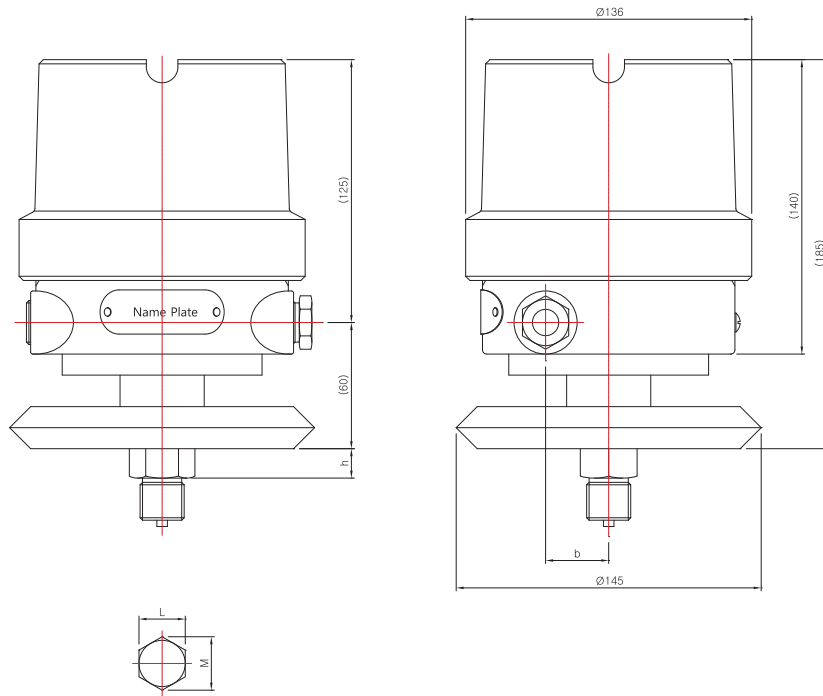
- | | | |
|---|--|--|
| <ul style="list-style-type: none"> + Case <ul style="list-style-type: none"> · Aluminum(Hammer tone coating) + Cover <ul style="list-style-type: none"> · Aluminum(Hammer tone coating) + Connection <ul style="list-style-type: none"> · STS 316, Other special material · PF, PT, NPT ↔ 1/2, 3/8 | <ul style="list-style-type: none"> + Cable Gland <ul style="list-style-type: none"> · 2-PF 1/2(Standard) + Contact rating <ul style="list-style-type: none"> · AC 125V, 250V 15A · DC 30V 2A / 125V 0.4A / 250V 0.2A + Contact Form <ul style="list-style-type: none"> · Micro Contact Type · SPDT * 1, SPDT * 2, DPDT * 1 (High, Low, High & High High & Low, Low & Low) | <ul style="list-style-type: none"> + Wetted part material <ul style="list-style-type: none"> · Hastelloy, Titanium, Tantalum etc. · Rubber + Option <ul style="list-style-type: none"> · In case of diaphragm seal slurry · 2B Pipe Stanchion · Accessories |
|---|--|--|

Pressure Gauge
 Differential Pressure Gauge & Switch
 Accessories of Pressure Gauge
 Thermometer & Thermometer Switch
 Thermocouple & R.T.D
 Thermowell
 Transmitter
 Indicator etc.
 Technical data

Explosion-Protected Pressure Switch

Model No. KCD-30 Series

Model No. | KCD-30 Direct Type

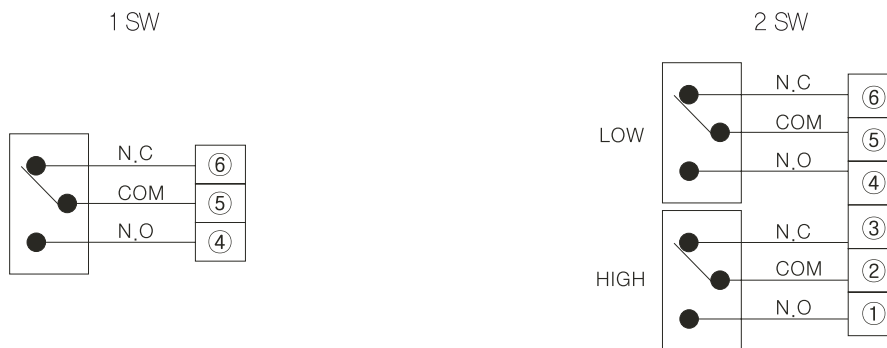


Dimensions (mm)

Model No.	Conn'n (d)	b	L	M	h
KCD-30	NPT & PT, PF 3/8	30	27	(311)	(14)
	NPT & PT, PF 1/2				

*()The measurement in the blanket is approximate.

Connection diagram



Explosion-Protected Differential Pressure Switch

Model No. **KCD-31 Series**

KINS



KCD-31

[Explosion-protected of protection] Ex d IIC T4

Summary

This gauge has the same structure as KCD-21 Series. It is a contact switch for differential pressure which can measure simple differential pressure and can be used as measuring sealed tank level, flux or for the prevention of blockage of filter.

Safety Management

- Do not give impact during the transportation, installation and usage.
- Be sure to install pressure gauge to be horizontal and vertical.
- Do not use it over the capacity of the switch.

Purpose of Use

- Indicating, warning, controlling of tank level in explosion district.
- Indicating, warning, controlling of fluid which was applied by differential pressure of orifice line in explosion district.
- Indicating, warning and controlling differential pressure of both end sides' filter in explosion district.

Production Specification

- ▶ Accuracy
 - Grade : $\pm 1.5\%$ of Full Scale
 - Repeatability : $\pm 1.0\%$ of Adj Range
 - Dead Band : $\pm 4.0\%$
- ▶ Scale Range
 - 0 ~ 50 kPa, 0 ~ 1 MPa
 - (※ 1 MPa = 10.19716 kgf/cm²)
- ▶ Working Pressure
 - Static pressure : 75% of Full Scale
 - Fluctuating pressure : 60% of Full Scale
- ▶ Working Temperature
 - Ambient : - 20 ~ 65°C
 - Fluid : - 20 ~ 80°C
- ▶ Explosion-Protected of Protection
 - Ex d IIC T4

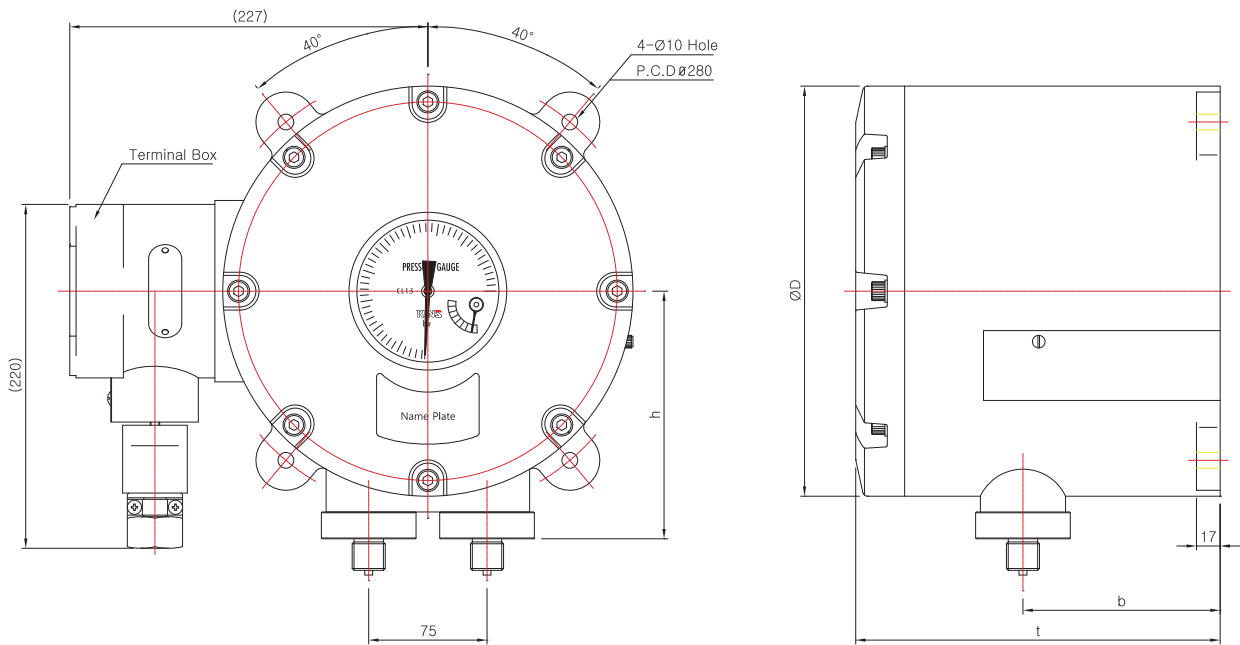
Product Specification

<p>+ Case</p> <ul style="list-style-type: none"> · Aluminum(Hammer tone coating) 	<p>+ Contact rating</p> <ul style="list-style-type: none"> · AC 125V, 250V 15A · DC 30V 2A / 125V 0.4A / 250V 0.2A 	<p>+ Bellows(Element)</p> <ul style="list-style-type: none"> · STS 316
<p>+ Cover</p> <ul style="list-style-type: none"> · Aluminum(Hammer tone coating) 	<p>+ Pointer</p> <ul style="list-style-type: none"> · Aluminum · Pointer black coating 	<p>+ Movement</p> <ul style="list-style-type: none"> · STS 304
<p>+ Connection</p> <ul style="list-style-type: none"> · STS 316 · PF, PT, NPT ↔ 1/2 	<p>+ Dial</p> <ul style="list-style-type: none"> · Aluminum · White coating · Black gradation and characters 	<p>+ Contact Form</p> <ul style="list-style-type: none"> · Micro Contact Type · SPDT * 1, SPDT * 2 (High, Low, High & High High & Low, Low & Low)
<p>+ Window</p> <ul style="list-style-type: none"> · Tempered safety glass, 	<p>+ Base Press</p> <ul style="list-style-type: none"> · 5MPa 	<p>+ Option</p> <ul style="list-style-type: none"> · Diaphragm Seal · Accessories

Explosion-Protected Differential Pressure Switch

Model No. KCD-31 Series

Model No. | KCD-31



Dimensions (mm)

Model No.	Conn'n (d)	ØD	b	t	h
KCD-31	NPT & PT, PF 1/2	260	125	(230)	(156)

*()The measurement in the blanket is approximate.

Connection diagram



Explosion-Protected Pressure Switch

Model No. **KCD-32 Series**



KCD-32

[Explosion-protected of protection] Ex d IIB T5

Summary

This pressure switch is proper for pressure control, flow control, liquid level control such as oil pressure, air pressure, water pressure and so on. It was designed considering shock resistance, durability, etc. It has high accuracy, high reliability by using bourdon as an element. The micro switch works on various kinds of fluid and atmosphere pressure.

Safety Management

- Do not give impact during the transportation, installation and usage.
- Be sure to install pressure gauge to be horizontal and vertical.
- Do not use over the capacity of the switch (The standard of using is under AC 220V 15A).

Purpose of Use

- Indicating, warning and controlling pipe pressure in explosion district.
- Indicating, warning and controlling LNG, LPG plant's pressure
- Indicating, warning and controlling of chemical industry plant which has the possibility of explosion.

Production Specification

- ▶ **Pointer Type**
 - No indication
- ▶ **Accuracy**
 - Repeatability : $\pm 1.0\%$ of Adj Range
 - Dead Band : $\pm 4.0\%$
- ▶ **Scale Range**
 - - 0.1 ~ 0 MPa, 0.05 ~ 10 MPa
 - (※ 1 MPa = 10.19716 kgf/cm²)
- ▶ **Working Pressure**
 - Static pressure : 75% of Full Scale
 - Fluctuating pressure : 60% of Full Scale
- ▶ **Working Temperature**
 - Ambient : - 20 ~ 65°C
 - Fluid : - 20 ~ 80°C
- ▶ **Explosion-Protected of Protection**
 - Ex d IIB T5

Product Specification

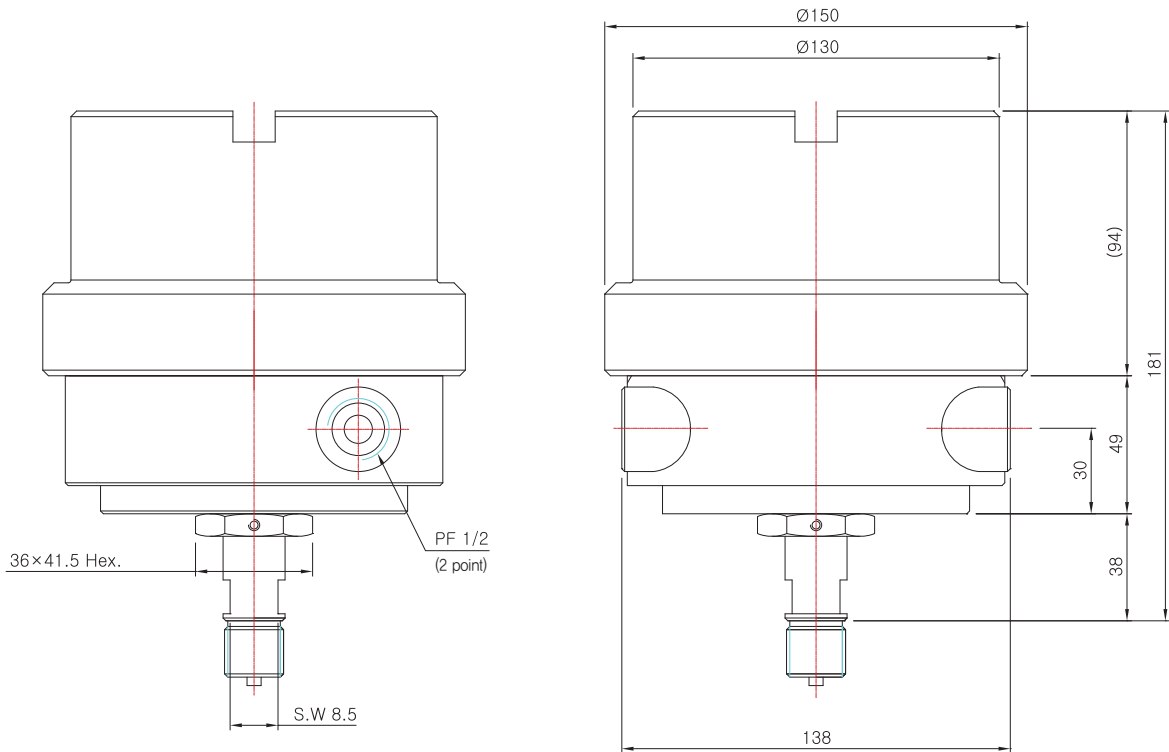
- | | | |
|---|--|--|
| <ul style="list-style-type: none"> + Case <ul style="list-style-type: none"> · Aluminum(Hammer tone coating) + Cover <ul style="list-style-type: none"> · Aluminum(Hammer tone coating) + Connection <ul style="list-style-type: none"> · STS 316, Other special material · PF, PT, NPT ↔ 1/2, 3/8 | <ul style="list-style-type: none"> + Cable Gland <ul style="list-style-type: none"> · 2-PF 1/2(Standard) + Contact rating <ul style="list-style-type: none"> · AC 125V, 250V 15A · DC 30V 2A / 125V 0.4A / 250V 0.2A + Contact Form <ul style="list-style-type: none"> · Micro Contact Type · SPDT * 1, SPDT * 2, DPDT * 1 (High, Low, High & High High & Low, Low & Low) | <ul style="list-style-type: none"> + Bourdon tube(Element) <ul style="list-style-type: none"> · STS 316 + Option <ul style="list-style-type: none"> · Diaphragm Seal · 2B Pipe Stanchion · Accessories |
|---|--|--|

Pressure Gauge
 Differential Pressure Gauge & Switch
 Accessories of Pressure Gauge
 Thermometer & Thermometer Switch
 Thermocouple & RTD
 Thermowell
 Transmitter
 Indicator etc.
 Technical data

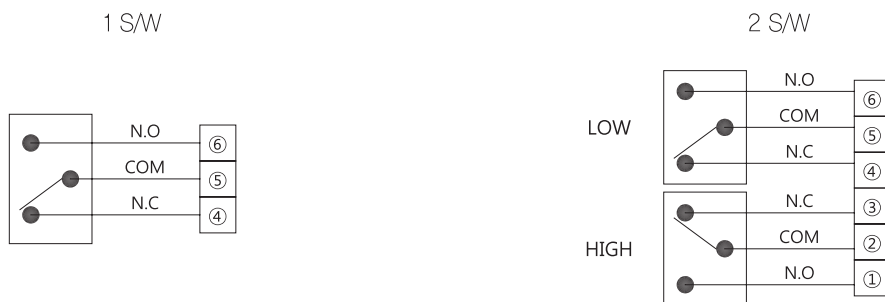
Explosion-Protected Pressure Switch

Model No. **KCD-32 Series**

Model No. | KCD-32



Connection diagram



Pressure Switch

Model No. **KCQ-21 Series**



KCQ-21

Summary

This pressure switch is proper for various pressure controlling such as oil pressure, air pressure, water pressure, etc and also flow control, pressure control, liquid level control, etc. It is designed considering shock resistance, durability, etc. Therefore, it is enough proper for ships.

Safety Management

- Be sure to use valves
- Be sure to install a protecting device where exist abrupt change of pressure, vibration and pulsation.
- Do not give impact during the transportation, installation and usage.

Purpose of Use

- Measurement of various liquid
- Application line of potential differential of pressure

Production Specification

- ▶ **Diameter**
 - Square
 - 165mm x 130mm x 60mm (W x H x D)
- ▶ **Accuracy**
 - Repeatability : $\pm 1.0\%$ of Adj Range
 - Dead Band : $\pm 4.0\%$
- ▶ **Scale Range**
 - $-0.1 \sim 2$ MPa, $0 \sim 35$ MPa
 - (※ 1 MPa = 10,19716 kgf/cm²)
- ▶ **Working Pressure**
 - Static pressure : 75% of Full Scale
 - Fluctuating pressure : 60% of Full Scale
- ▶ **Working Temperature**
 - Ambient : $-20 \sim 65^{\circ}\text{C}$
 - Fluid : $-20 \sim 80^{\circ}\text{C}$

Product Specification

+ Case · Aluminum(Hammer tone coating)	+ Type · Surface Type	+ Bourdon tube(Element) · STS304, STS 316
+ Case Structure · Weather Proof	+ Contact Form · Micro Contact Type · SPDT * 1 (High or Low)	+ Option · Throttles · Accessories
+ Cover · Aluminum(Hammer tone coating)	+ Contact rating · AC 125V 5A / 250V 3A · DC 30V 4A / 125V 0.4A / 250V 0.2A	
+ Connection · STS 316 · PF, PT, NPT ↔ 1/2, 3/8		

Pressure Gauge

Differential Pressure Gauge & Switch

Accessories of Pressure Gauge

Thermometer & Thermometer Switch

Thermocouple & R.T.D

Thermowell

Transmitter

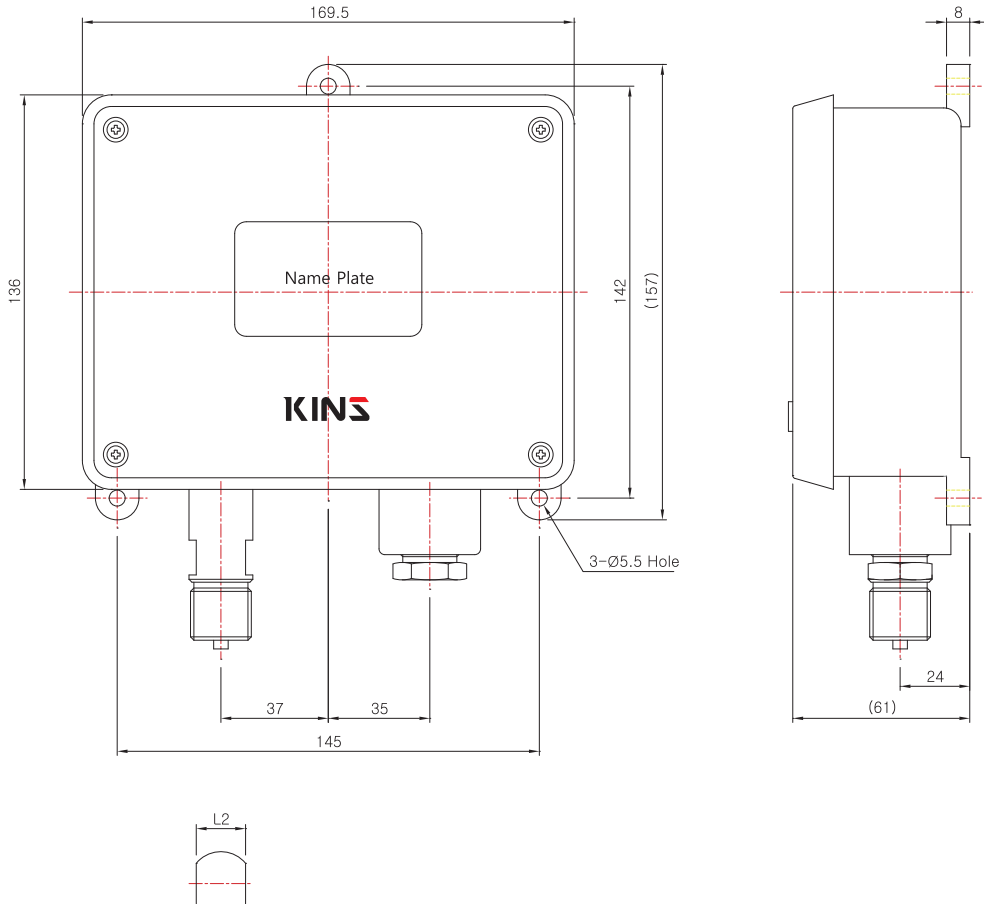
Indicator etc.

Technical data

Pressure Switch

Model No. KCQ-21 Series

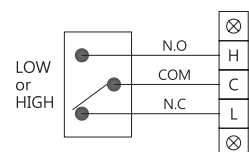
Model No. | KCQ-21



Dimensions (mm)

Model No.	Con'n(d)	b	t	L2	k	h	f	e	c	Ød1	a
KCQ-21	PF 3/8	24	(61)	17	12	(50)	18	2	3	5	-
	NPT & PT 3/8					(48)	16	-	-	-	6.35
	PF 1/2					(52)	20	2	3	5	-
	NPT & PT 1/2					(50)	18	-	-	-	8.16

Connection diagram



*()The measurement in the blanket is approximate.

Pressure Gauge

Differential Pressure Gauge & Switch

Accessories of Pressure Gauge

Thermometer & Thermometer Switch

Thermocouple & R.T.D

Thermowell

Transmitter

Indicator etc.

Technical data

Pressure Switch

Model No. **KCQ-30 Series**

KINS



KCQ-30

Summary

This pressure switch is proper for various pressure controlling such as oil pressure, air pressure, water pressure, etc and also flow control, pressure control, liquid level control, etc. It is designed considering shock resistance, durability, etc. Therefore, it is enough proper for ships.

Safety Management

- Be sure to install a protecting device where exist abrupt change of pressure, vibration and pulsation.
- Do not give impact during the transportation, installation and usage.
- Be sure to avoid places where a lot of steam and poisonous gas exist.

Purpose of Use

- Various pressure controlling, information system
- Oil pressure press power plant, petrochemistry, etc
- Special fluid line for industrial use, etc.

Production Specification

- ▶ **Diameter**
 - Square
 - 124mm x 127mm x 90mm (W x H x D)
- ▶ **Accuracy**
 - Repeatability : $\pm 1.0\%$ of Adj Range
 - Dead Band : $\pm 4.0\%$
- ▶ **Scale Range**
 - $- 0.1 \text{ MPa} \sim 2 \text{ MPa}$, $- 0.1 \text{ MPa} \sim 0$, $0 \sim 35 \text{ MPa}$
 - (※ $1 \text{ MPa} = 10.19716 \text{ kgf/cm}^2$)
- ▶ **Working Pressure**
 - Static pressure : 75% of Full Scale
 - Fluctuating pressure : 60% of Full Scale
- ▶ **Working Temperature**
 - Ambient : $- 20 \sim 65^\circ\text{C}$
 - Fluid : $- 20 \sim 80^\circ\text{C}$

Product Specification

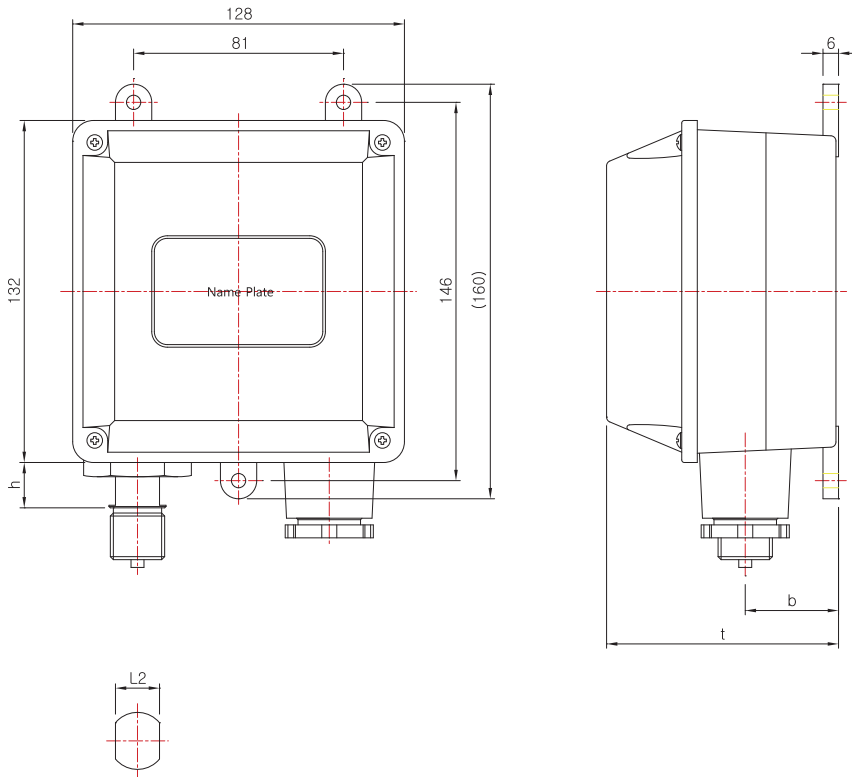
- | | | |
|---|---|--|
| <ul style="list-style-type: none"> + Case <ul style="list-style-type: none"> · Aluminum(Hammer tone coating) + Case Structure <ul style="list-style-type: none"> · Weather Proof + Cover <ul style="list-style-type: none"> · Aluminum(Hammer tone coating) + Connection <ul style="list-style-type: none"> · STS 316 · PF, PT, NPT ↔ 1/2, 3/8 | <ul style="list-style-type: none"> + Type <ul style="list-style-type: none"> · Surface Type + Contact Form <ul style="list-style-type: none"> · Micro Contact Type · SPDT * 1 (High or Low) (High, Low, High & High High & Low, Low & Low) + Contact rating <ul style="list-style-type: none"> · AC 125V, 250V 15A · DC 30V 2A / 125V 0.4A / 250V 0.2A | <ul style="list-style-type: none"> + Bourdon tube(Element) <ul style="list-style-type: none"> · STS304, STS 316 + Option <ul style="list-style-type: none"> · Throttles · Accessories |
|---|---|--|

Pressure Gauge
 Differential Pressure Gauge & Switch
 Accessories of Pressure Gauge
 Thermometer & Thermometer Switch
 Thermocouple & RTD
 Thermowell
 Transmitter
 Indicator etc.
 Technical data

Pressure Switch

Model No. KCQ-30 Series

Model No. | KCQ-30



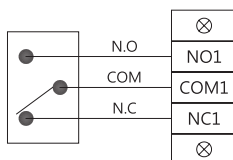
Dimensions (mm)

Model No.	Conn'n (d)	b	t	L2	h
KCQ-30	NPT & PT, PF 3/8	36	(90)	17	(18)
	NPT & PT, PF 1/2				

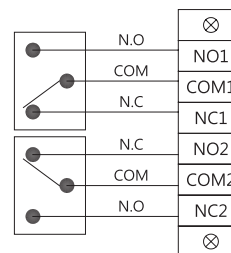
*()The measurement in the blanket is approximate.

Connection diagram

1 S/W



2 S/W



Pressure Switch

Model No. KCQ- 2020 Series



KCQ- 2020

[The Utility Model Registration Number] 20- 2003-0016468

Summary

This pressure switch is proper for various pressure control such as oil pressure, air pressure, water pressure, etc and also flow control, pressure control, liquid level control, etc. It is designed considering shock resistance, durability, etc. Therefore, it is enough proper for ships.

Safety Management

- Be sure to install a protecting device in places where sudden change of pressure, vibration, pulsation exist.
- Do not give impact during transportation, installation and usage
- Avoid places where a lot of steam and poisonous gas exist

Purpose of Use

- Various pressure controlling, information system
- Oil pressure press power plant, petrochemistry, etc
- Special fluid line for industrial use, etc.

Production Specification

- ▶ Diameter
 - Square
 - 115mm x 90mm x 74mm (W x H x D)
- ▶ Accuracy
 - $\pm 1.5\%$ of Full Scale
- ▶ Scale Range
 - Proof Pressure : 0.3 ~ 3 MPa
 - Differential : 0.03 ~ 0.6MPa
 - (※ 1 MPa = 10,19716 kgf/cm²)
- ▶ Working Pressure
 - Static pressure : 75% of Full Scale
 - Fluctuating pressure : 60% of Full Scale
- ▶ Working Temperature
 - Ambient : - 20 ~ 65°C
 - Fluid : - 20 ~ 80°C

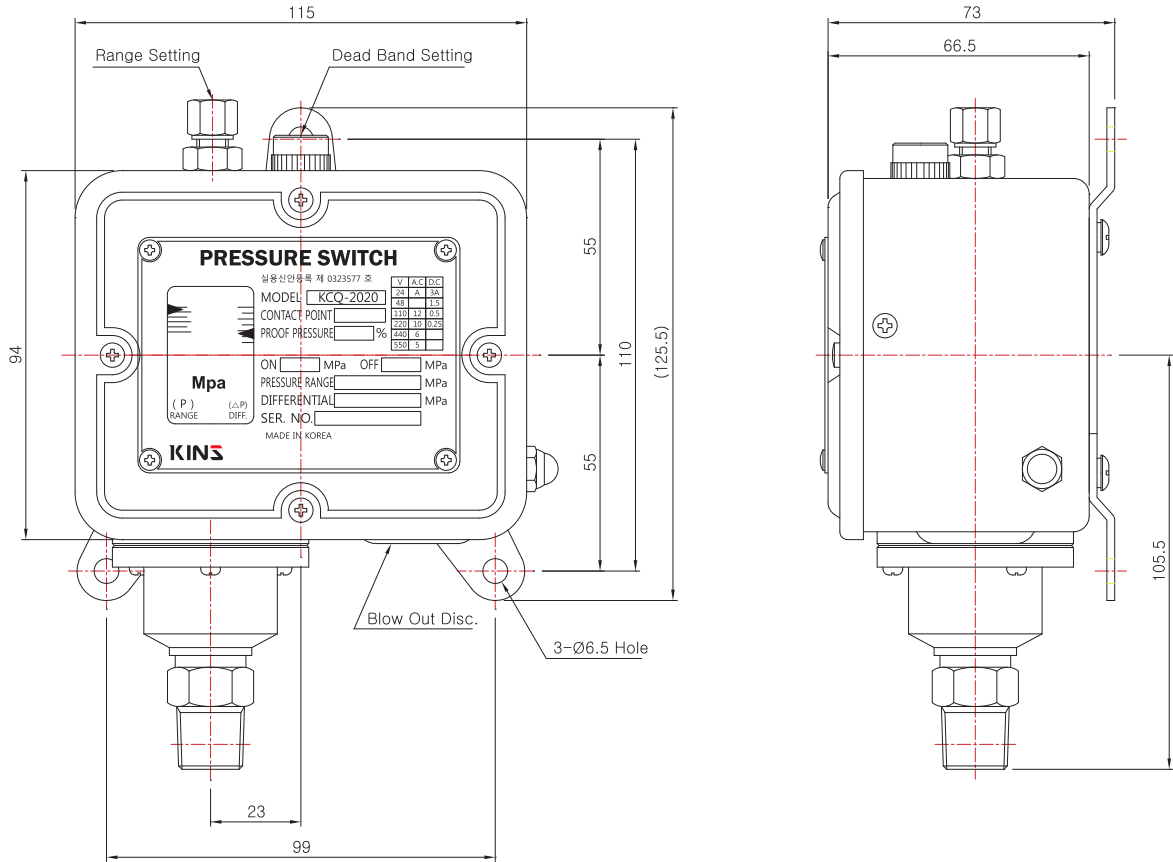
Product Specification

<p>+ Case</p> <ul style="list-style-type: none"> · Steel (SS41, Liquid coating) 	<p>+ Type</p> <ul style="list-style-type: none"> · Surface Type 	<p>+ Bellows(Element)</p> <ul style="list-style-type: none"> · Brass
<p>+ Cover</p> <ul style="list-style-type: none"> · Steel (SS41, Liquid coating) 	<p>+ Contact Form</p> <ul style="list-style-type: none"> · Micro Contact Type · SPDT * 1 	<p>+ Option</p> <ul style="list-style-type: none"> · Throttles · Accessories
<p>+ Connection</p> <ul style="list-style-type: none"> · Brass(C3604BE) → Cr-Plating · PT3/8 	<p>+ Contact rating</p> <ul style="list-style-type: none"> · AC 125V 12A / 250V 10A · DC 24V 3A 	

Pressure Switch

Model No. KCQ- 2020 Series

Model No. | KCQ- 2020



Connection diagram

